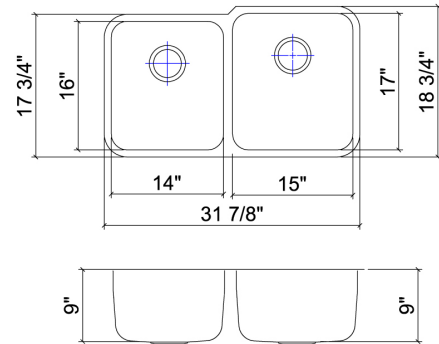


033212 **Essence Medium Double**

Project name: _____

Specifier: _____ Contractor: _____



Features

- Made in Canada with recycled stainless steel
- 16 ga material thickness
- Corrosion resistant 304 series stainless steel (18/10)
- Perfect match with your appliance finish (no.4 brushed finish)
- Highly efficient sound deadening pads
- Traditional aspect with classic look. Smooth and elegant curve give a sophisticated touch to your decor.
- Rear 3-1/2" drain placement
- Limited lifetime warranty

Standards compliance

- ASME A112.19.3
- CSA B45.0
- CSA B45.4

Optional accessories

- Cutting board 210047
- Cutting board 210048
- Drain fitting 100056
- Drain fitting 100080
- Drain fitting 100081
- Drain fitting 100082
- Drain fitting 100083
- Grid 200400
- Grid 200408

Sink dimensions

Model	Overall	Bowls	Depth	Cabinet Size*	Drain
033212	31 7/8" x 18 3/4"	LH 14" x 16" RH 15" x 17"	8" 9"	36"	3 1/2"
033211	31 7/8" x 18 3/4"	LH 15" x 17" RH 14" x 16"	9" 8"	36"	3 1/2"

* Cabinet Size is the Recommended Cabinet Size

Product specifications

Sink type to be undermount double bowl. Sink to be made from 16 ga stainless steel having 18/10 chrome/nickel content and a no.4 brushed finish. Sink to feature rear 3 1/2" drain placement and sound deadening pads. Sink to feature smooth soft rounded design. Sink overall dimensions to be 31 7/8" left-to-right and 16" front-to-back. LH Bowl dimensions to be 14" left-to-right and 16" front-to-back. RH Bowl dimensions to be 15" left-to-right and 17" front-to-back. Sink to be Julien Essence collection model 033212 with bowl depth of 8" on LH bowl and 9" on RH bowl.

Warranty

Julien inc. offers a LIMITED LIFETIME WARRANTY on the fix components of its stainless steel sinks against defects of material and workmanship. For further details on our product warranty, please refer to our catalog or Web site.