

Grand Gourmet Corner Kitchen

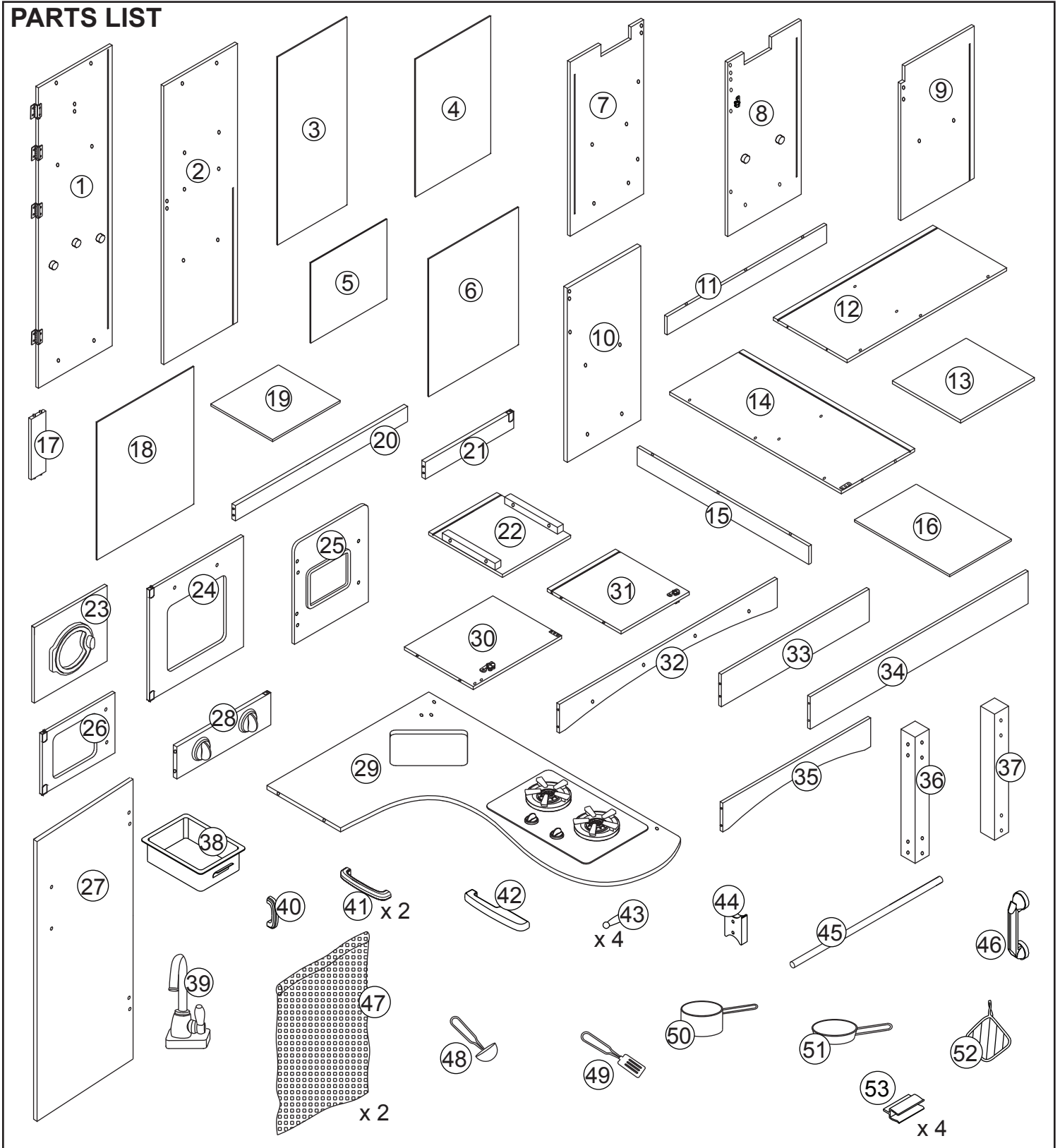
Item #53185

Please retain this information for future reference

Assembly Instructions

To order replacement parts, please visit www.kidkraft.com

PARTS LIST



CAUTION: Adult Assembly Required. Hardware contains small screws with sharp points. Keep unassembled parts out of reach of small children.

USE AND MAINTENANCE:
-Use on level surfaces only
-Please check assembly at regular intervals, and frequently tighten hardware if necessary. If maintenance is not carried out, the product could cease to function properly


















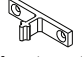

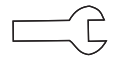


WARNING: CHOKING HAZARD
Small parts and sharp points, not suitable for children under 3 years.

Customer Service
1-800-933-0771
www.kidkraft.com

Grand Gourmet Corner Kitchen

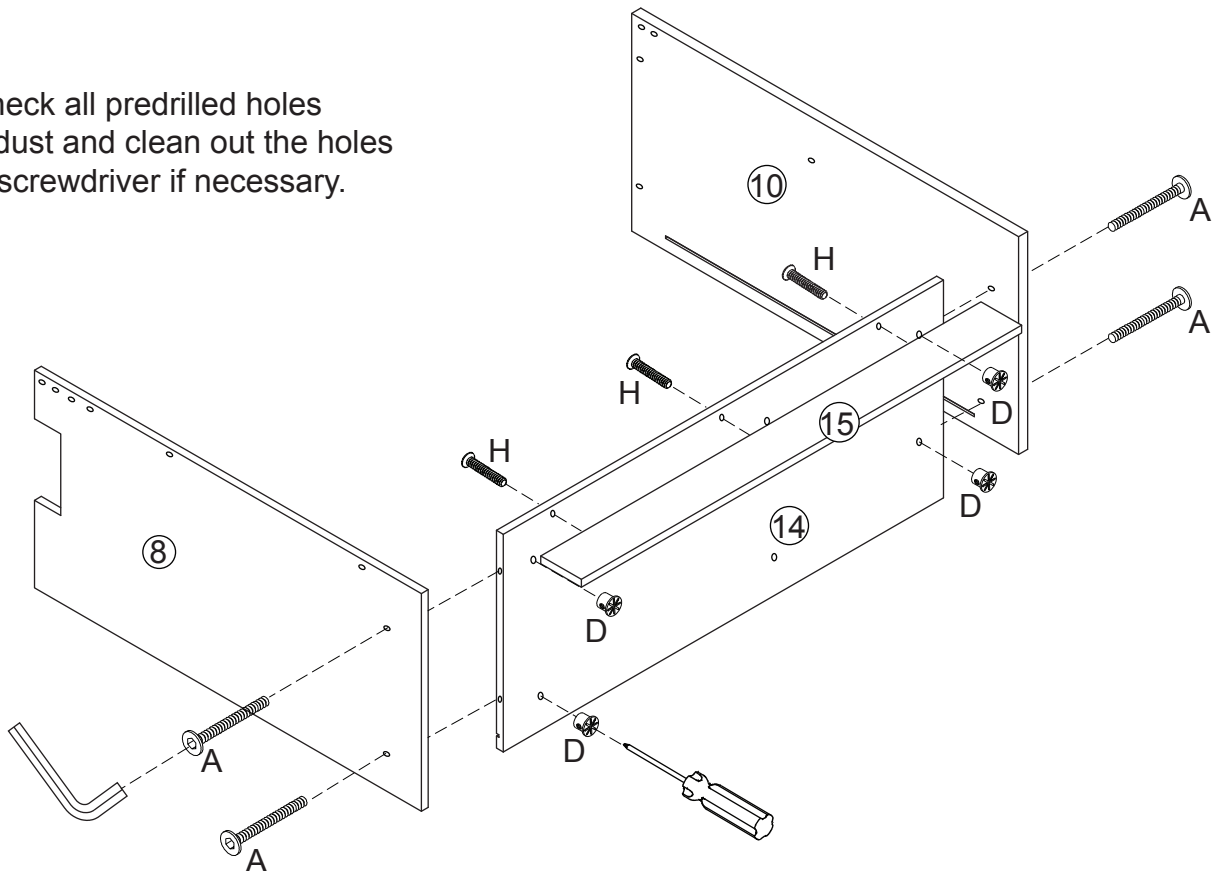
Assembly Instructions

Item #53185

HARDWARE			
<p>A. Cross Dowel Bolt x 26 pcs 2 1/8 in / 53 mm</p>  <p>B. Cross Dowel Bolt x 2 pcs 2 5/16 in / 58 mm</p>  <p>C. Hex Screw x 2 pcs 2 in / 50 mm</p>  <p>D. Cross Dowel Nut x 26 pcs</p>  <p>E. Cross Dowel Nut x 2 pcs</p> 	<p>F. Silver Screw x 2 pcs 1 in / 25 mm</p>  <p>G. Pink Screw x 6 pcs 1 in / 25 mm</p>  <p>H. White Screw x 42 pcs 1 in / 25 mm</p>  <p>I. Screw x 8 pcs 5/16 in / 8 mm</p>  <p>J. Screw x 12 pcs 1 3/16 in / 30 mm</p>  <p>K. Round Head Screw x 2 pcs 3/4 in / 20 mm</p> 	<p>L. Round Head Screw x 4 pcs 3/8 in / 9 mm</p>  <p>M. Screw x 8 pcs 5/16 in / 8 mm</p>  <p>N. Washer x 4 pcs</p>  <p>O. Silver Flat Screw x 2 pcs 1 3/16 in / 30 mm</p>  <p>P. Small Nylon Lock Nut x 2 pcs</p> 	<p>Q. Hex Bolt x 2 pcs 1 1/8 in / 27 mm</p>  <p>R. Latch x 4 pcs</p>  <p>S. Bracket x 2 pcs</p>  <p>Wrench x 1 pc</p>  <p>Allen Wrench x 1 pc</p>  <p>The following tool (not included) is required for assembly:</p>  <p>Phillips® Screwdriver</p>

Step 1

Helpful Hint: Check all predrilled holes for excess sawdust and clean out the holes with a flathead screwdriver if necessary.



Before calling customer service, please locate the batch code number (example: 2693/65006/04) found on the bottom or back of your product.

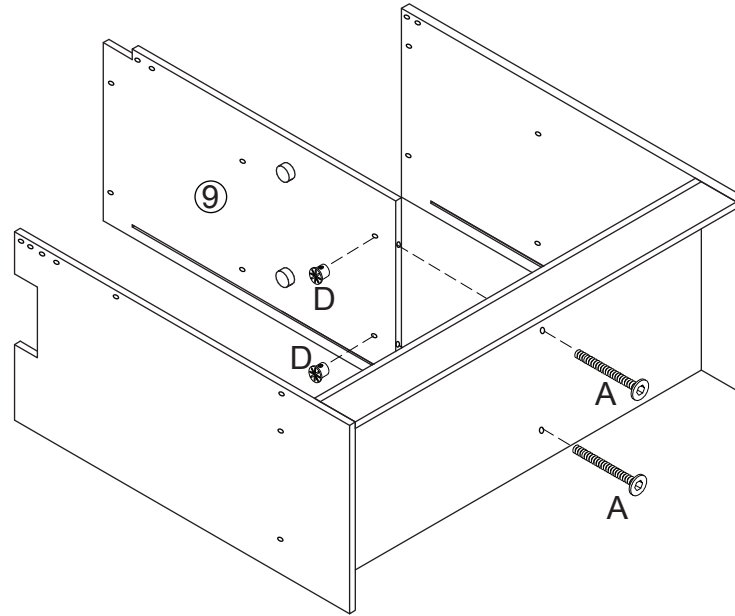
Customer Service
1-800-933-0771
www.kidkraft.com

Grand Gourmet Corner Kitchen

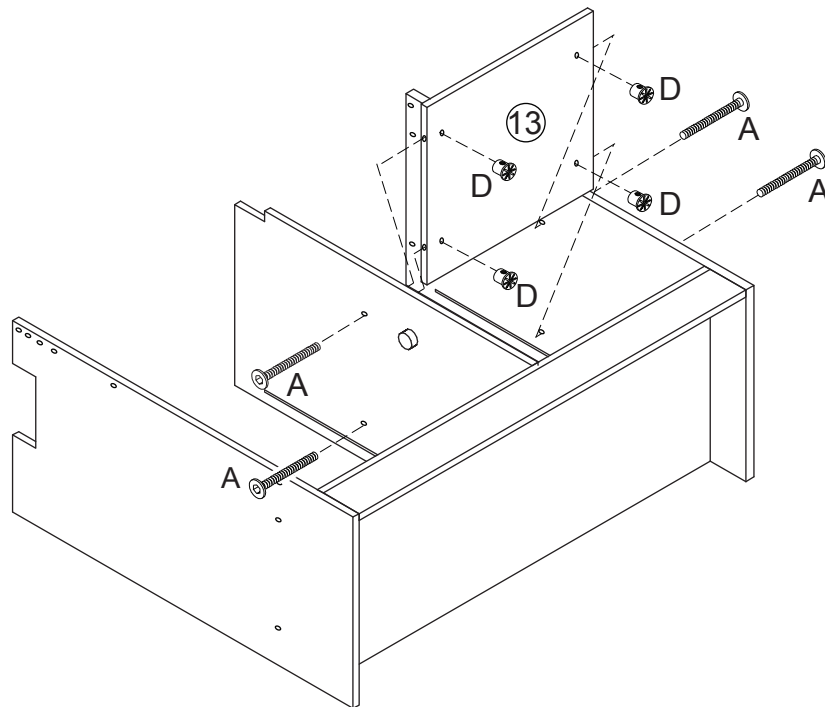
Assembly Instructions

Item #53185

Step 2



Step 3



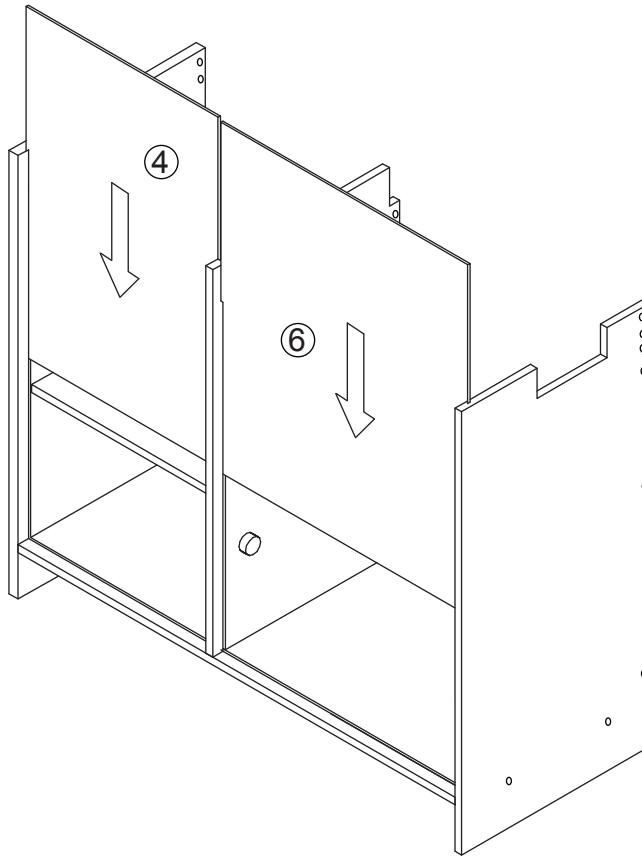
Customer Service
1-800-933-0771
www.kidkraft.com

Grand Gourmet Corner Kitchen

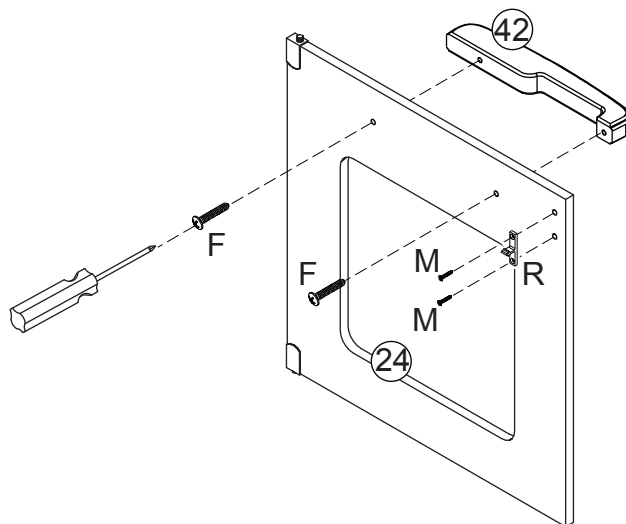
Assembly Instructions

Item #53185

Step 4



Step 5

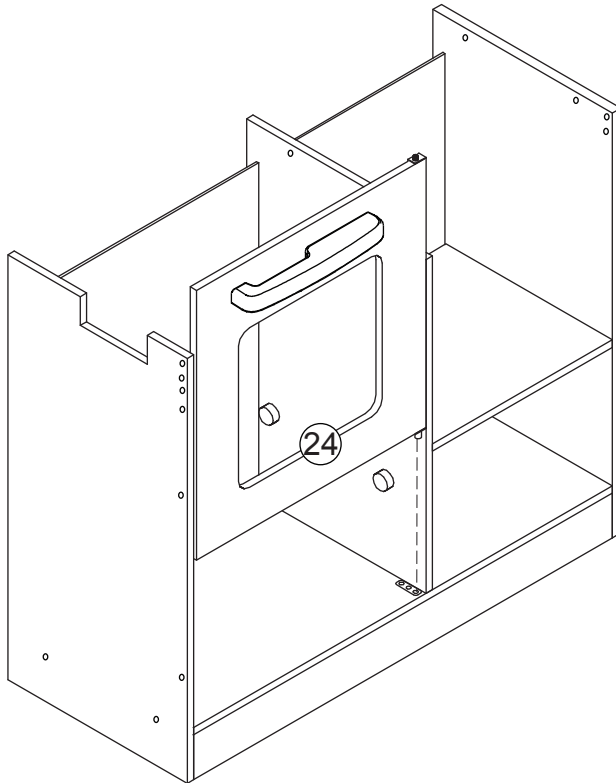


Grand Gourmet Corner Kitchen

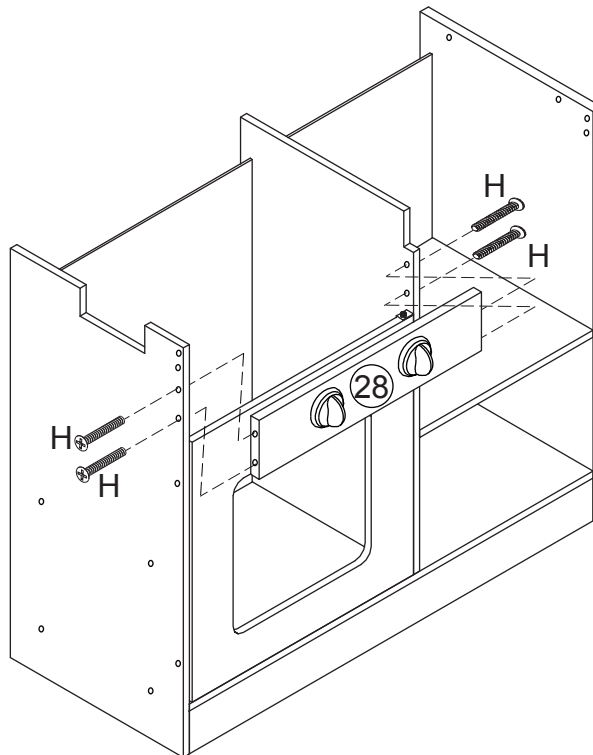
Assembly Instructions

Item #53185

Step 6



Step 7



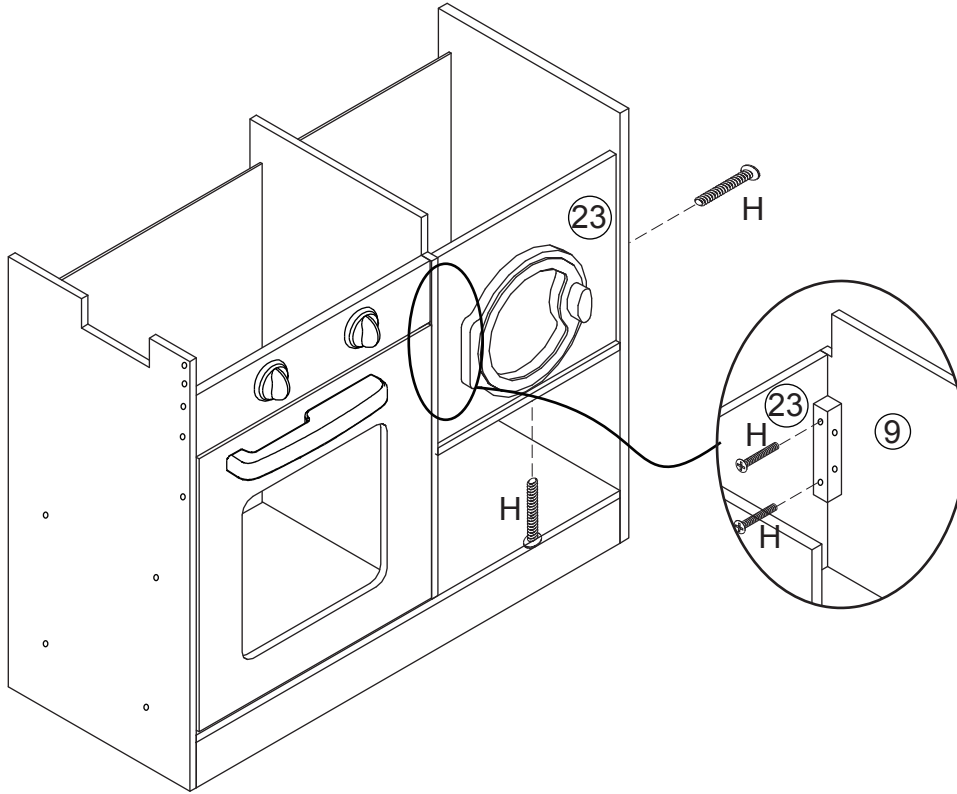
Customer Service
1-800-933-0771
www.kidkraft.com

Grand Gourmet Corner Kitchen

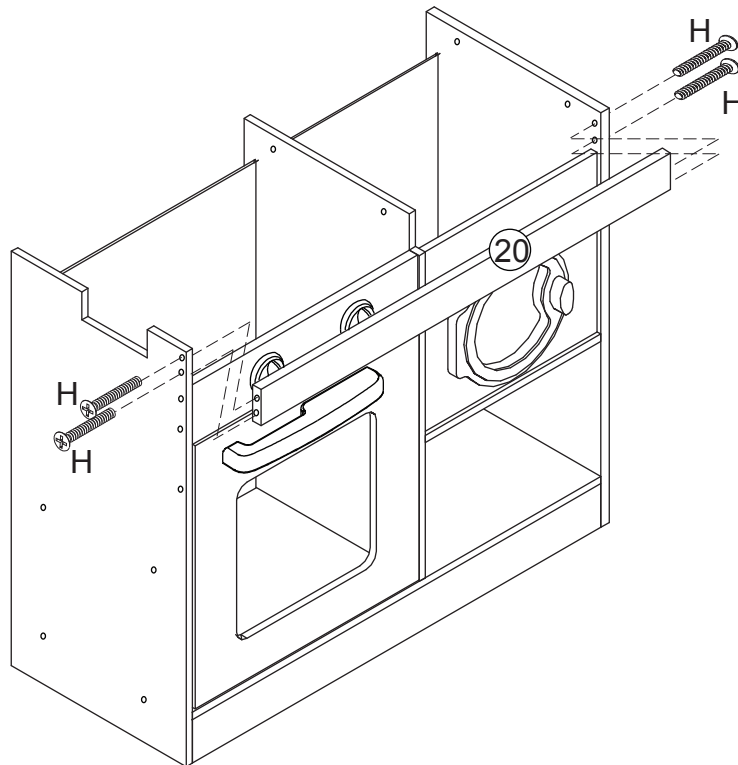
Assembly Instructions

Item #53185

Step 8



Step 9

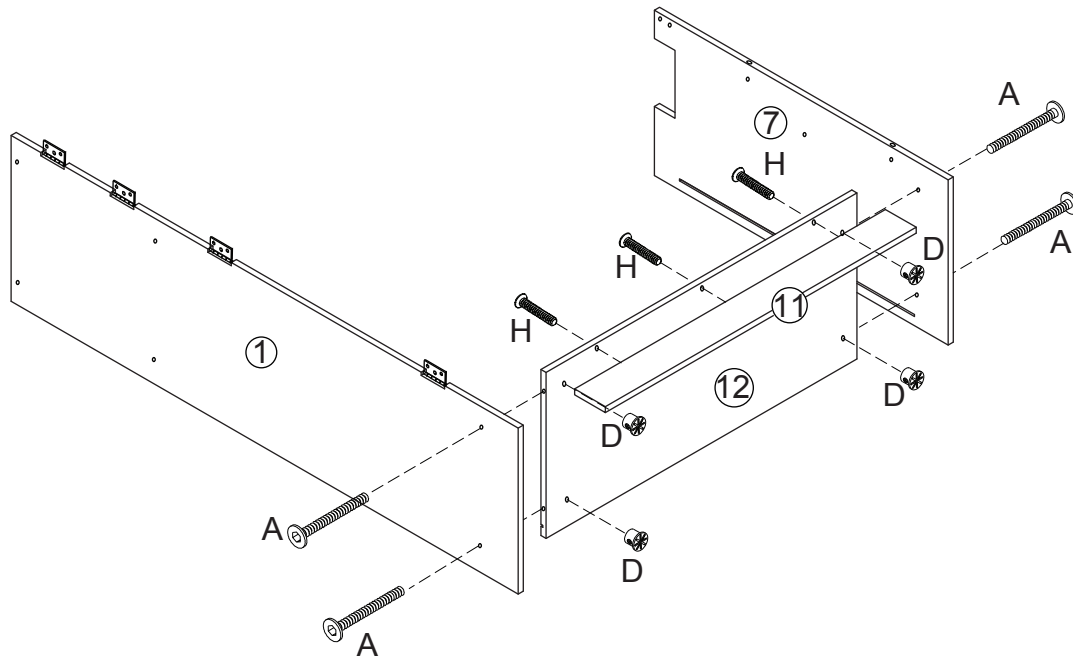


Grand Gourmet Corner Kitchen

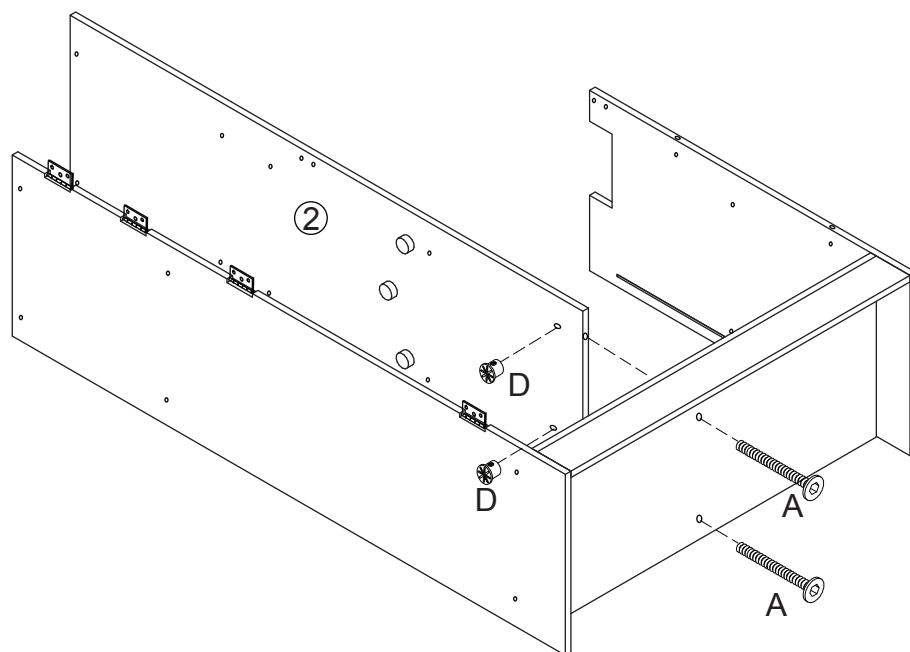
Assembly Instructions

Item #53185

Step 10



Step 11

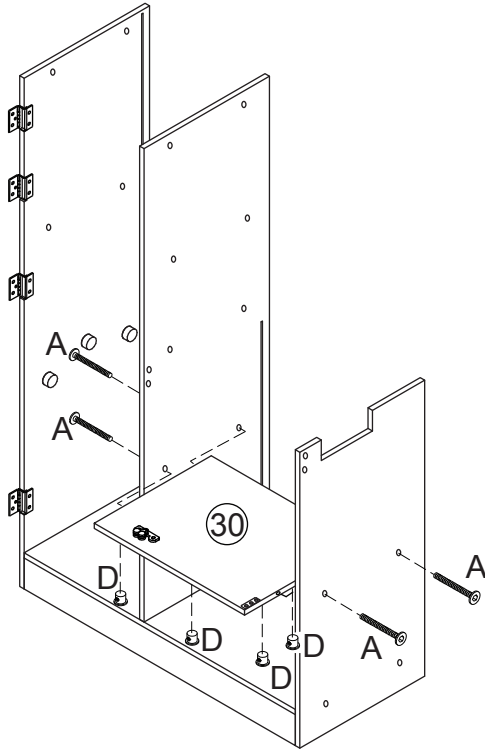


Grand Gourmet Corner Kitchen

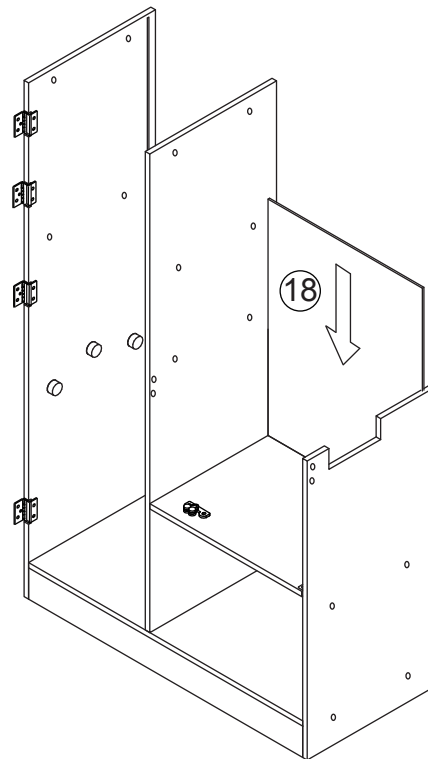
Assembly Instructions

Item #53185

Step 12



Step 13



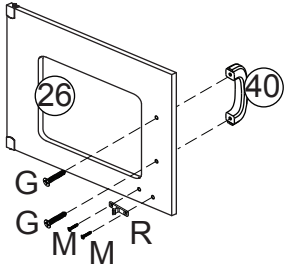
Customer Service
1-800-933-0771
www.kidkraft.com

Grand Gourmet Corner Kitchen

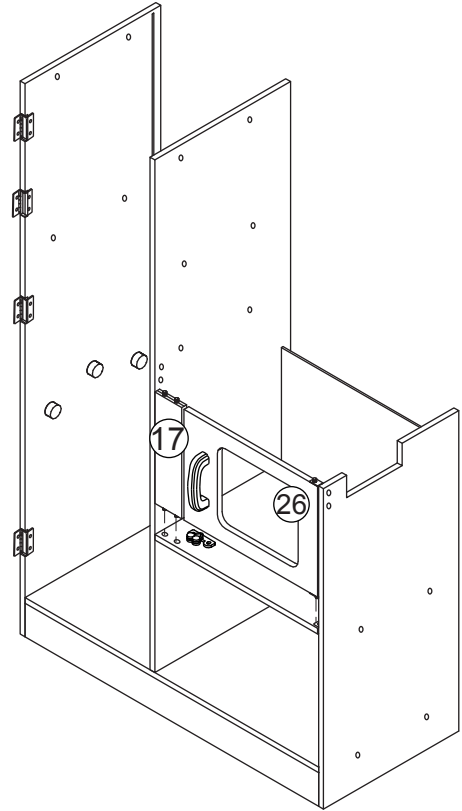
Assembly Instructions

Item #53185

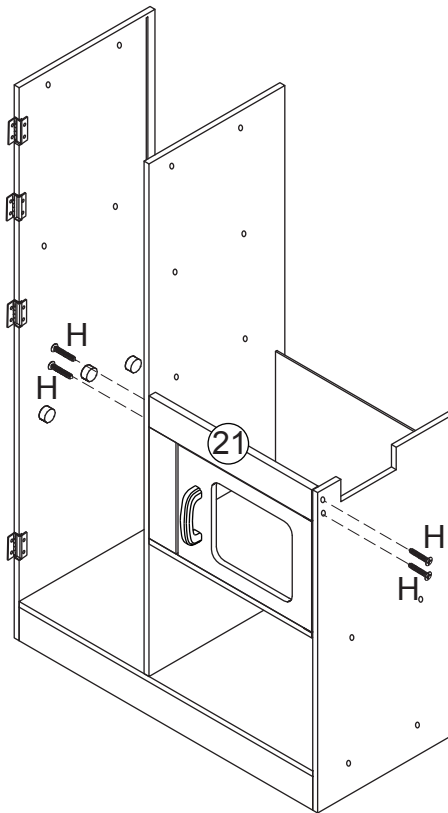
Step 14



Step 15



Step 16



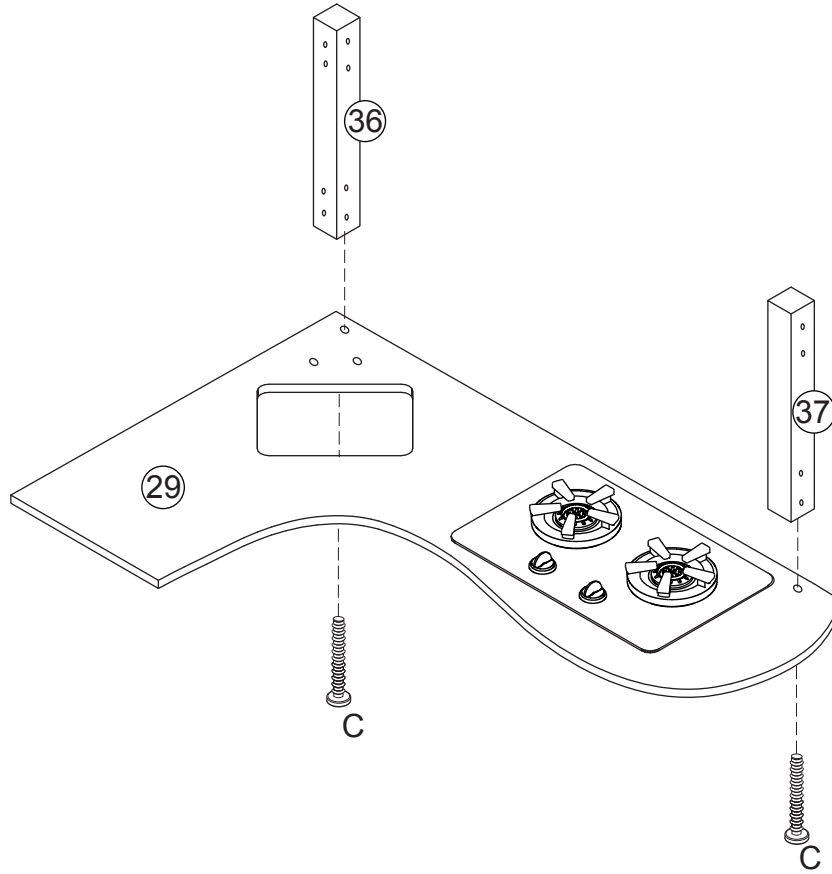
Customer Service
1-800-933-0771
www.kidkraft.com

Grand Gourmet Corner Kitchen

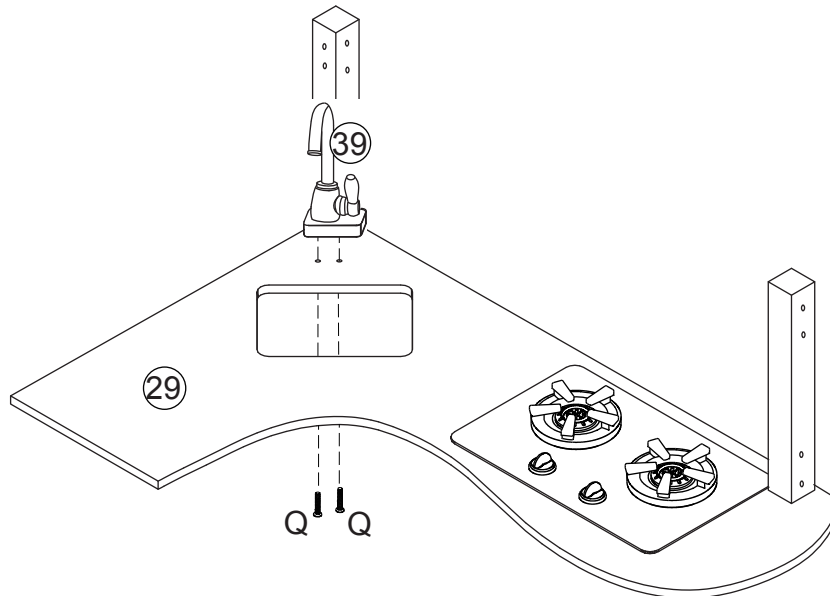
Assembly Instructions

Item #53185

Step 17



Step 18



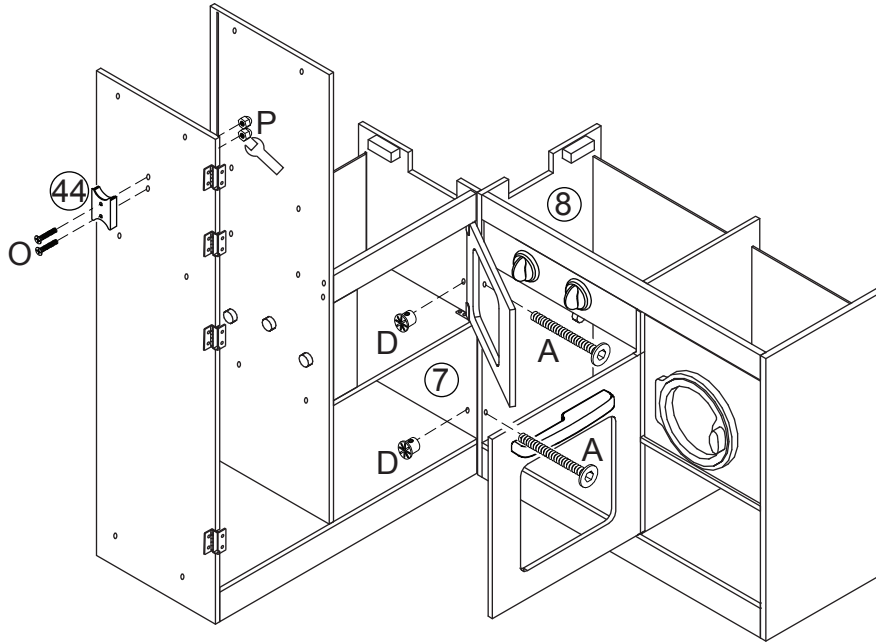
Customer Service
1-800-933-0771
www.kidkraft.com

Grand Gourmet Corner Kitchen

Assembly Instructions

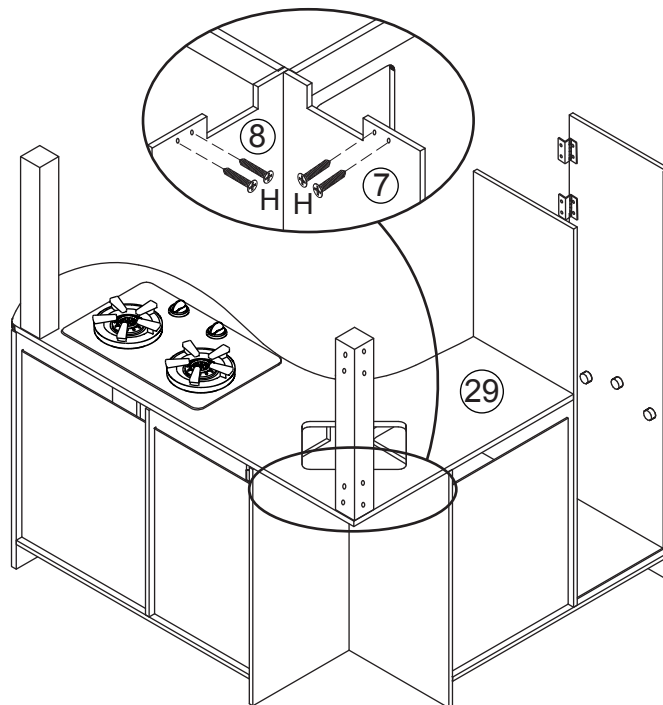
Item #53185

Step 19



After step 19, do not move the kitchen until part 29 is assembled in step 20 & 21.

Step 20



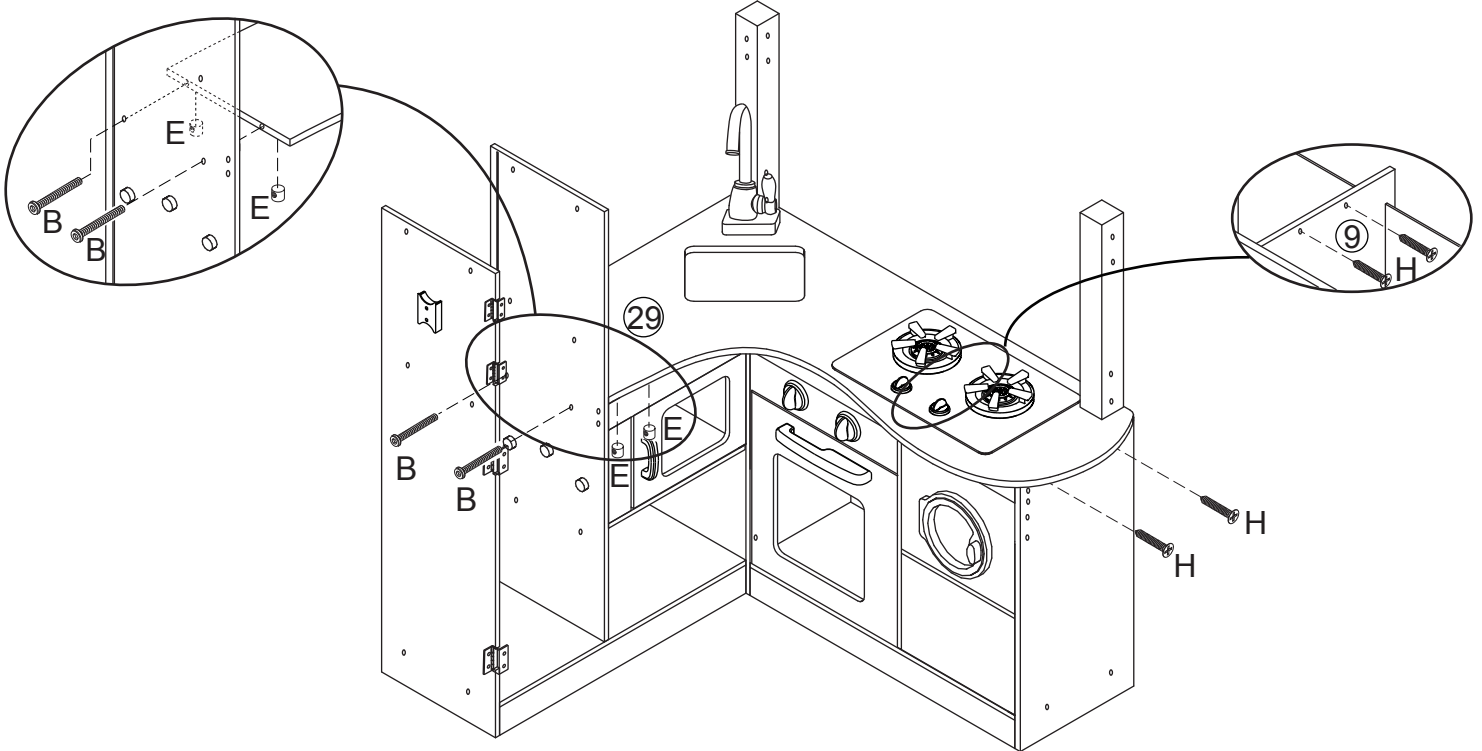
Customer Service
1-800-933-0771
www.kidkraft.com

Grand Gourmet Corner Kitchen

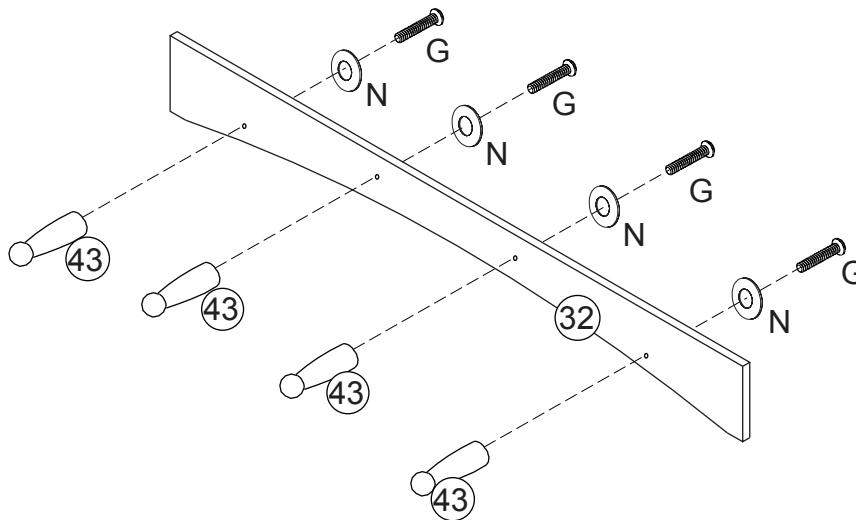
Assembly Instructions

Item #53185

Step 21



Step 22



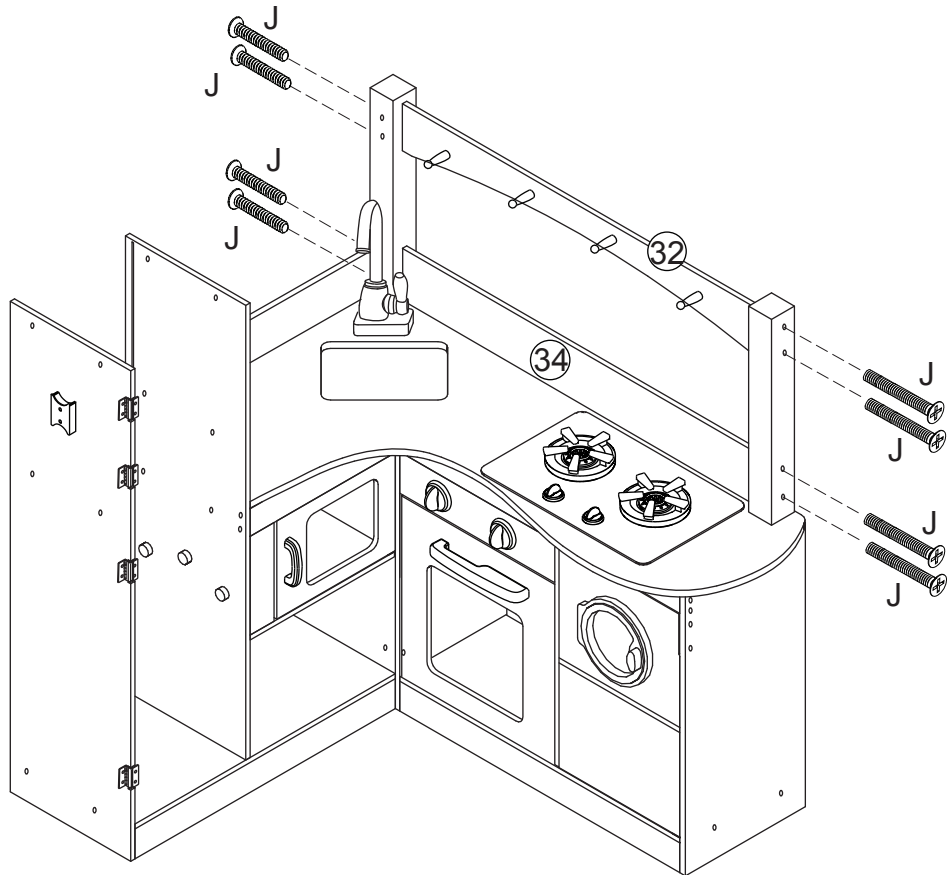
Customer Service
1-800-933-0771
www.kidkraft.com

Grand Gourmet Corner Kitchen

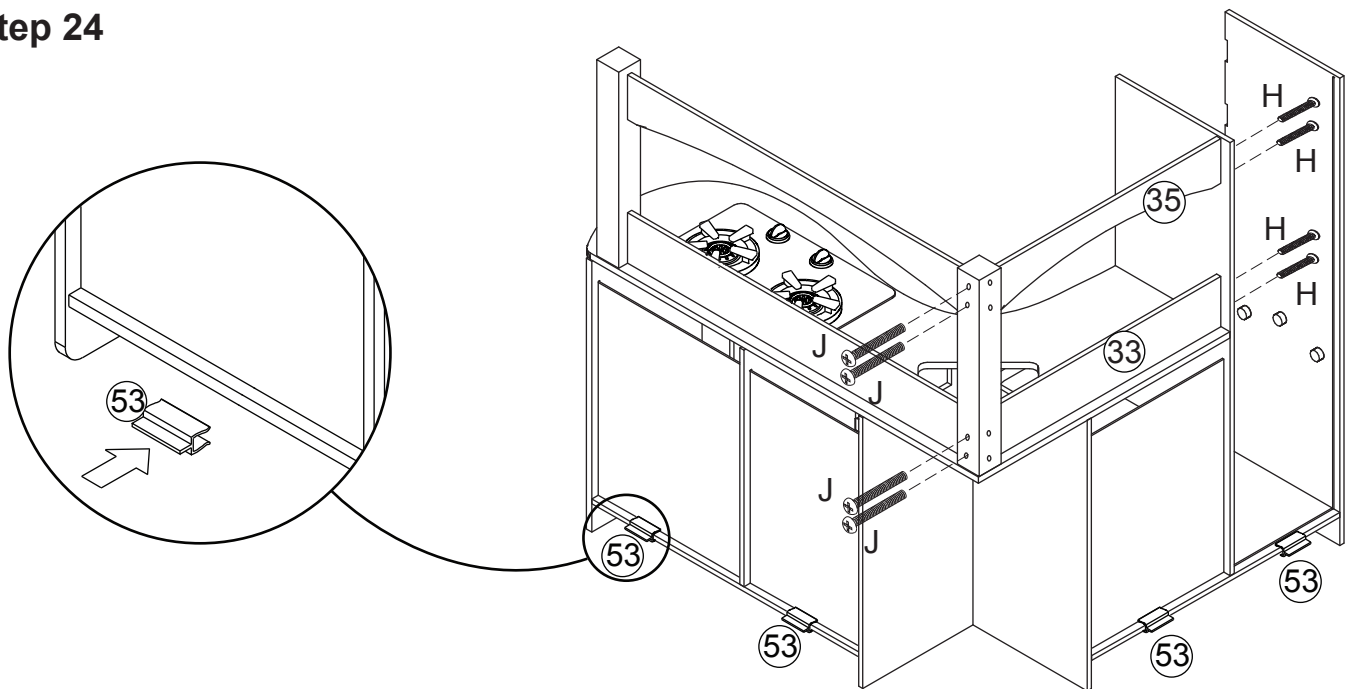
Assembly Instructions

Item #53185

Step 23



Step 24



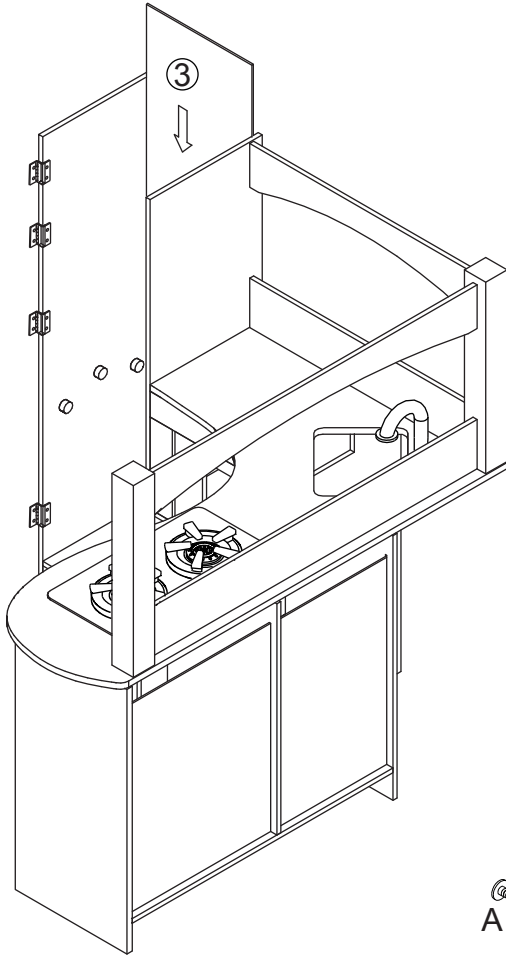
Customer Service
1-800-933-0771
www.kidkraft.com

Grand Gourmet Corner Kitchen

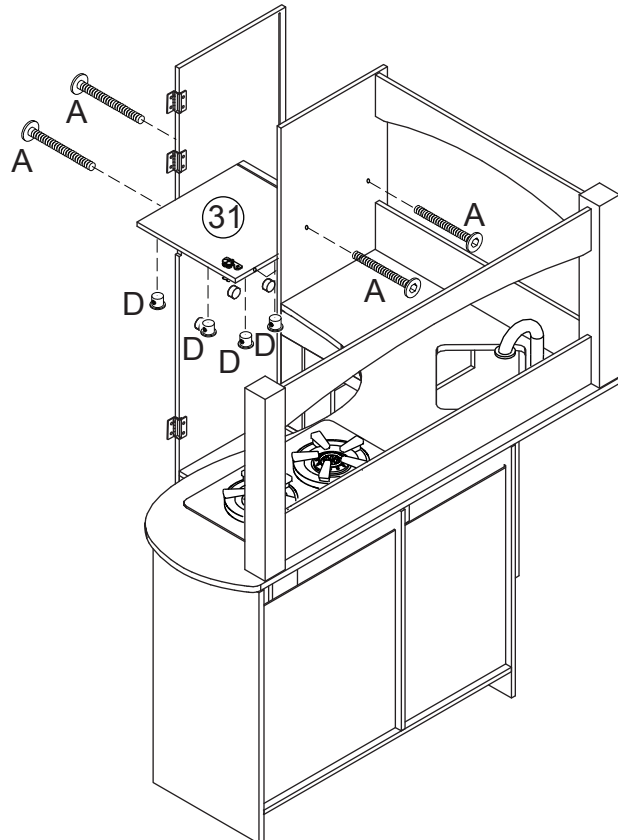
Assembly Instructions

Item #53185

Step 25



Step 26



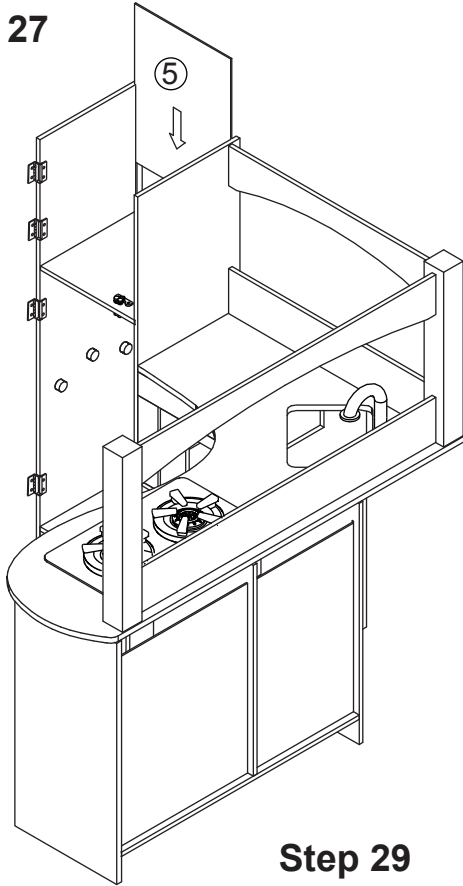
Customer Service
1-800-933-0771
www.kidkraft.com

Grand Gourmet Corner Kitchen

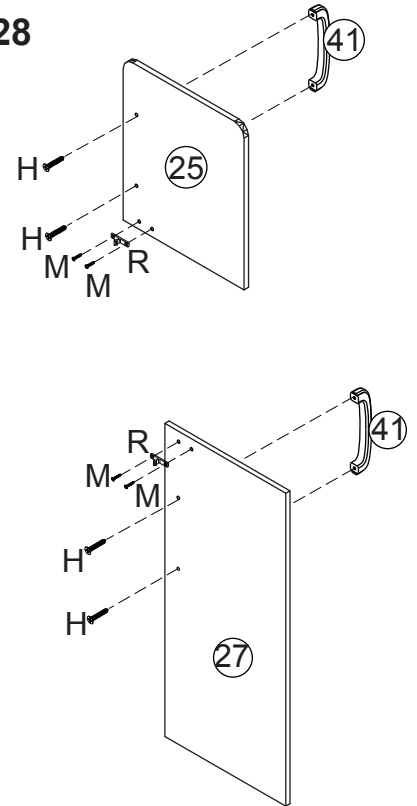
Assembly Instructions

Item #53185

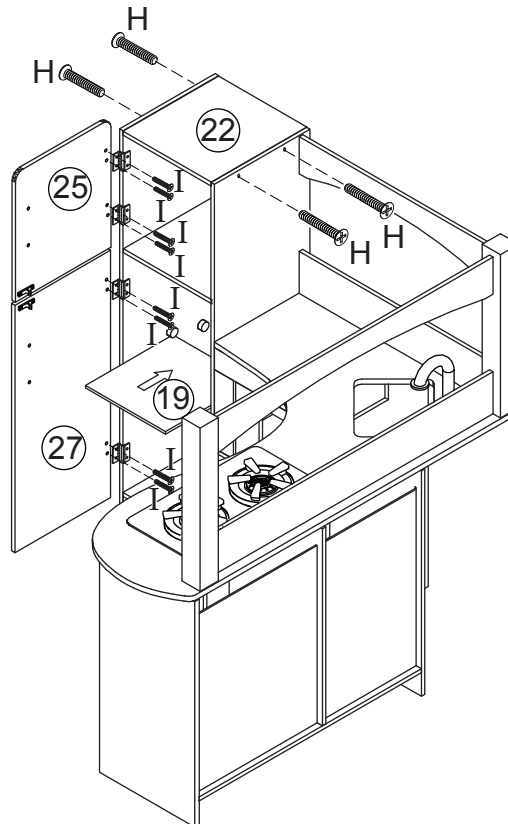
Step 27



Step 28



Step 29



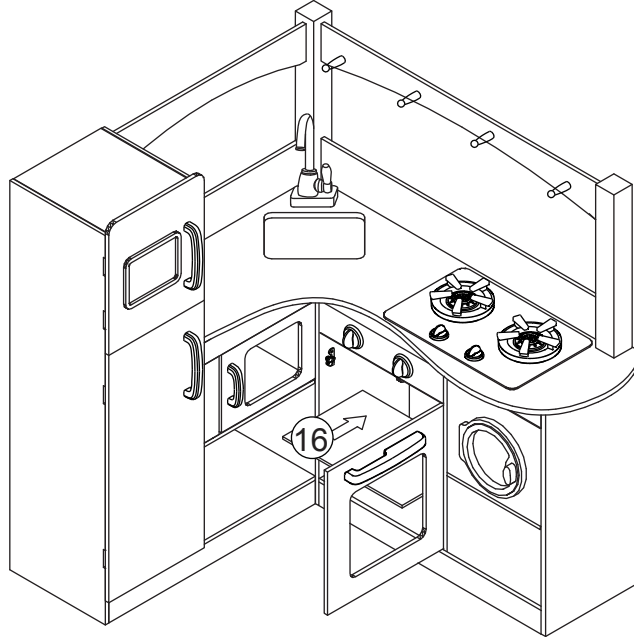
Customer Service
1-800-933-0771
www.kidkraft.com

Grand Gourmet Corner Kitchen

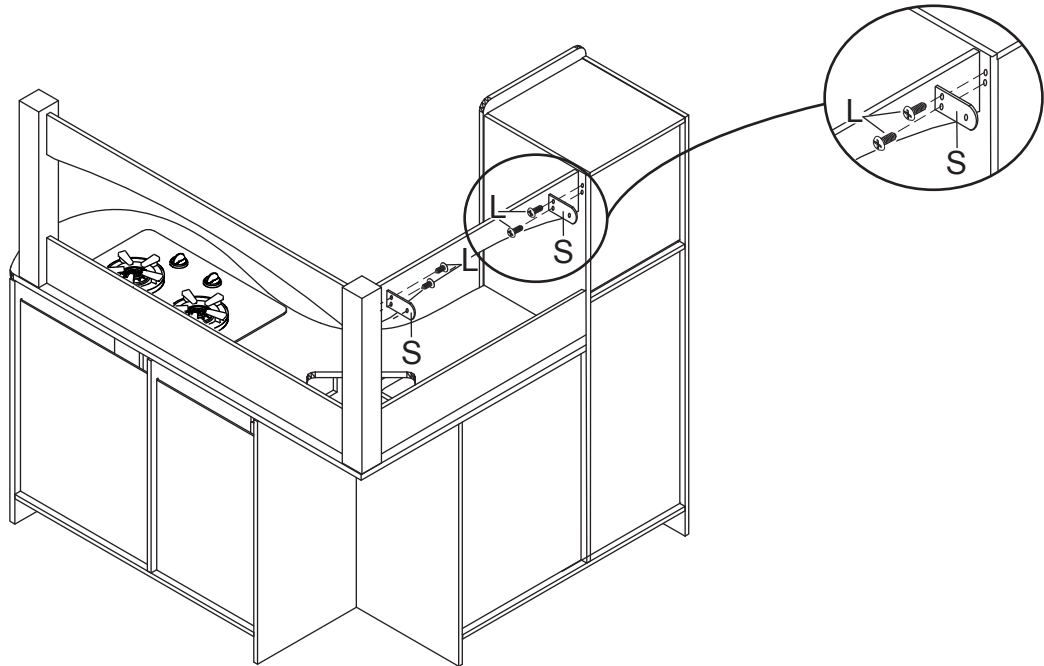
Assembly Instructions

Item #53185

Step 30



Step 31



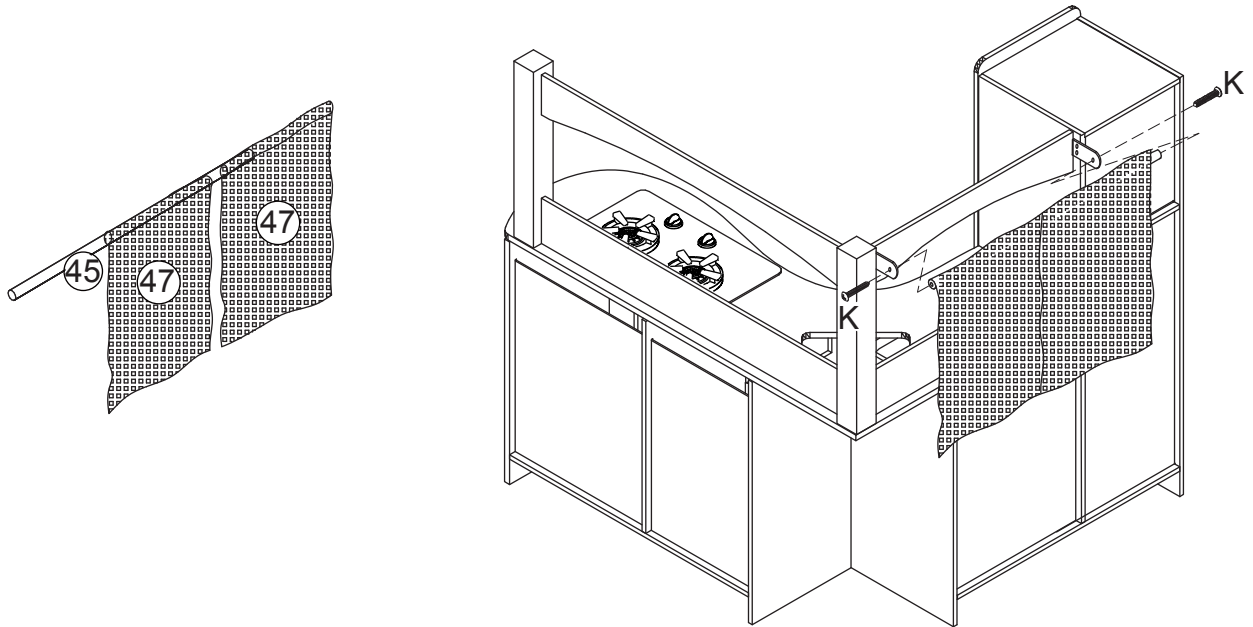
Customer Service
1-800-933-0771
www.kidkraft.com

Grand Gourmet Corner Kitchen

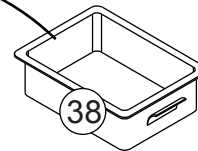
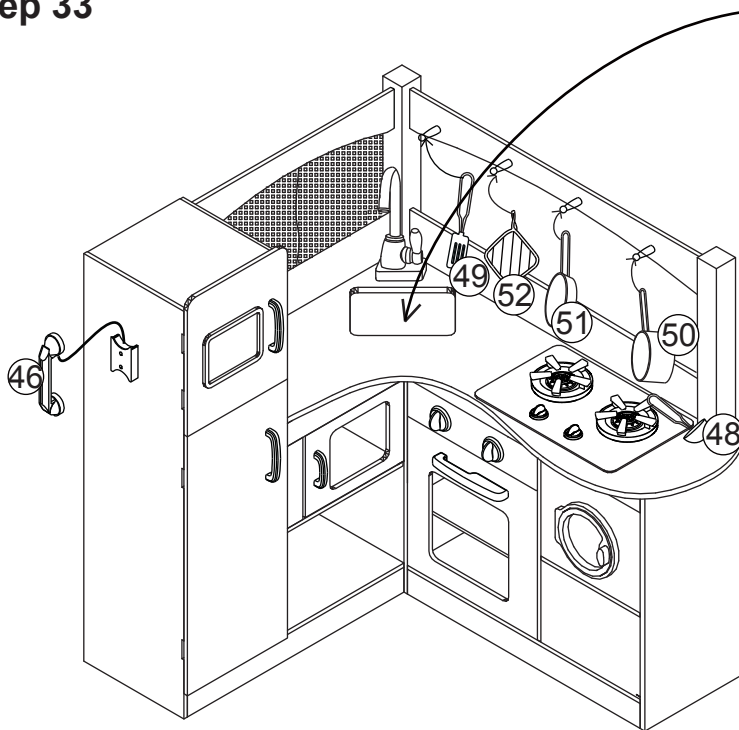
Assembly Instructions

Item #53185

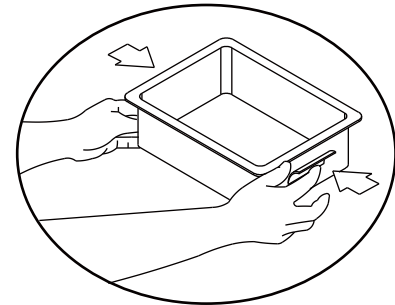
Step 32



Step 33



Push sink (part 38)
down until it clicks
into place.



To Remove Sink: The sink may
only be removed by an adult.
Hold the tabs and lift through the
hole to release.



Wall anchor kit

Now that you've assembled your kitchen, will it be placed against a wall? For additional stability, KidKraft offers a Wall Anchor Kit giving you the option of attaching the kitchen to your wall. The kit is free of charge plus \$2.00 for shipping and handling. Just call customer service at 1-800-933-0771 or go to www.kidkraft.com to order.

Parental supervision required.

This toy is intended for children of a specific age or above. Parents should supervise the play area so that children younger than the intended age range do not interact with this toy. Use this toy on the floor. Do not allow children to climb on or around or in the toy.

IMPORTANT INFORMATION - PLEASE READ FIRST

ALL OF OUR WOODEN ITEMS ARE HANDCRAFTED, HAND ASSEMBLED, AND HAND PAINTED. EACH ONE IS UNIQUE. SLIGHT IMPERFECTIONS MAY OCCUR AND ARE NOT MANUFACTURING DEFECTS.

PLEASE NOTE THAT WE DO NOT WARRANTY AGAINST THE USE OF PERMANENT MARKERS, NON-WATER-BASED PAINTS, CRAYONS, OR WASHABLE MARKERS. SOME OF THESE ITEMS CONTAIN PERMANENT COLOR DYES THAT COULD DAMAGE THE SURFACE.

CLEANING INSTRUCTIONS

CLEAN THE SURFACE USING A SLIGHTLY DAMP CLOTH AND MILD DISH WASHING LIQUID IF NECESSARY. DO NOT USE ANY CLEANING PRODUCT CONTAINING ALCOHOL OR AMMONIA. THESE WILL DULL THE SHINY SURFACE OF THE PRODUCT. FURNITURE POLISH WILL ALSO WORK TO CLEAN AND DUST OFF THE SURFACE.

WE RECOMMEND THAT YOU TEST ALL CLEANING MATERIALS ON THE UNDERSIDE OF ANY SURFACE THAT WOULD NOT BE SEEN DURING NORMAL USE OF THE PRODUCT. IF YOU HAVE QUESTIONS REGARDING THE MAINTENANCE OF THIS PRODUCT PLEASE FEEL FREE TO CALL US.

SOLE AND LIMITED WARRANTY

THIS TOY IS WARRANTED SOLELY AGAINST MANUFACTURING DEFECTS FOR A PERIOD OF 90 DAYS FROM THE DATE OF PURCHASE, WHICH RUNS ONLY TO THE ORIGINAL USER OF THE TOY. IN THE EVENT OF A MANUFACTURING DEFECT, PARTS WILL BE REPLACED OR THE ENTIRE PRODUCT WILL BE REPLACED OR THE PURCHASE PRICE WILL BE REFUNDED, AT THE ELECTION OF THE MANUFACTURER. TO ACTIVATE AND PROTECT THIS WARRANTY, PRESERVE EVIDENCE OF ORIGINAL PURCHASE AND CAREFULLY INSPECT THE CONDITION OF THE TOY PRIOR TO AND AFTER ASSEMBLY, LOOKING FOR MISSING, DEGRADED, BROKEN OR HAZARDOUS PARTS, INCLUDING PARTS WHICH CAN BE SWALLOWED BY A CHILD, CAUSE A CHILD TO CHOKE, OR OTHERWISE CAUSE INJURY. SUCH PARTS MAY INCLUDE MAGNETS, WHEELS, HUBS, FASTENERS, AND CONNECTORS. SHOULD YOU OBSERVE ANY DEFECTS, DO NOT USE THE TOY AND IMMEDIATELY NOTIFY THE MANUFACTURER. FAILURE TO DO SO SHALL CONSTITUTE MISUSE. MISUSE, IMPROPER ASSEMBLY, FAILURE TO HONOR A WARNING, FAILURE TO SUPERVISE, INSPECT OR MAINTAIN THE TOY, OR DAMAGE TO THE TOY, WHETHER INTENTIONAL OR INADVERTENT, SHALL INVALIDATE THIS WARRANTY. THIS WARRANTY GIVES YOU SPECIFIC LEGAL RIGHTS, AND YOU MAY ALSO HAVE OTHER RIGHTS WHICH VARY FROM STATE TO STATE.

TO SUBMIT A WARRANTY CLAIM PLEASE CONTACT KIDKRAFT CUSTOMER SERVICE AT 1-800-933-0771 FOR INSTRUCTIONS ON HOW TO PROVIDE PROOF OF PURCHASE AND HOW TO RETURN THE ITEM FREIGHT PRE-PAID.