

IMPORTANT INSTRUCTIONS - OPERATING MANUAL

Models: AK55L, AKF55



Exhaust Fan

READ AND SAVE THESE INSTRUCTIONS

READ CAREFULLY BEFORE ATTEMPTING TO ASSEMBLE, INSTALL, OPERATE OR MAINTAIN THE PRODUCT DESCRIBED. PROTECT YOURSELF AND OTHERS BY OBSERVING ALL SAFETY INFORMATION. FAILURE TO COMPLY WITH INSTRUCTIONS COULD RESULT IN PERSONAL INJURY AND/OR PROPERTY DAMAGE!

RETAIN INSTRUCTIONS FOR FUTURE REFERENCE.

GENERAL SAFETY INFORMATION

When using electrical appliances, basic precautions should always be followed to reduce the risk of fire, electric shock and injury to person, including the following:

1. Read all instructions before installing or using exhaust fan.
2. Use this unit only in the manner intended by the manufacturer. If you have questions, contact the manufacturer.
3. Before servicing or cleaning the unit, switch power off at service panel and lock the service disconnecting means to prevent power from being switched on accidentally. When the service disconnecting means cannot be locked, securely fasten a prominent warning device, such as a tag, to the service panel.
4. Installation work and electrical wiring must be done by qualified person(s) in accordance with all applicable codes and standards, including fire-related construction.
5. Sufficient air is needed for proper combustion and exhausting of gases through the flue (chimney) of fuel burning equipment to prevent back drafting. Follow the heating equipment manufacturer's guideline and safety standards such as those published by the National Fire Protection Association (NFPA) and the American Society for Heating, Refrigeration, and Air Conditioning Engineers (ASHRAE), and the local code authorities.
6. When cutting or drilling into wall or ceiling, do not damage electrical wiring and other hidden utilities.
7. Ducted fans must always be vented to the outdoors.
8. This unit must be grounded.
9. To avoid motor bearing damage and noisy and/or unbalanced impellers, keep drywall spray, construction dust, etc. off power unit.
10. Do not install into a ceiling thermally insulated to a value greater than R-40.
11. NEVER place a switch where it can be reached from a tub or shower.

WARNING: TO REDUCE THE RISK OF FIRE, ELECTRIC SHOCK, DO NOT USE THIS FAN WITH ANY SOLID-STATE SPEED CONTROL DEVICE.

WARNING: DO NOT INSTALL OVER A TUB OR MOUNT IN A SHOWER STALL ENCLOSURE.

WARNING: DO NOT USE IN KITCHENS.

WARNING: THIS UNIT IS DESIGNED AND TESTED TO BE A SUPPLEMENTAL HEATER FOR USE WITH A TIMER OR A SWITCH. IT IS NOT INTENDED TO BE USED AS THE PRIMARY SOURCE OF HEAT AND CONTROLLED BY A THERMOSTAT.

CAUTION: FOR GENERAL VENTILATING USE ONLY. DO NOT USE TO EXHAUST HAZARDOUS OR EXPLOSIVE MATERIALS AND VAPORS.

SAVE THESE INSTRUCTIONS

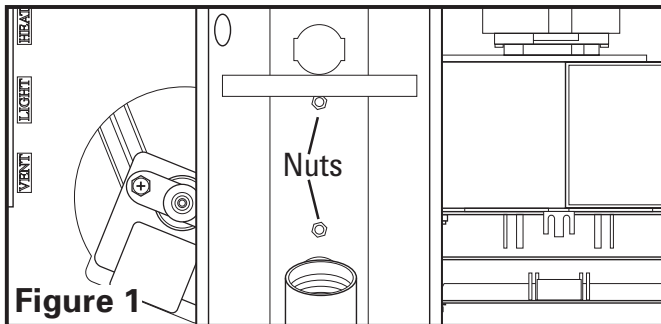
INSTALLATION INSTRUCTIONS

CAUTION: MAKE SURE POWER IS SWITCHED OFF AT SERVICE PANEL BEFORE STARTING INSTALLATION.

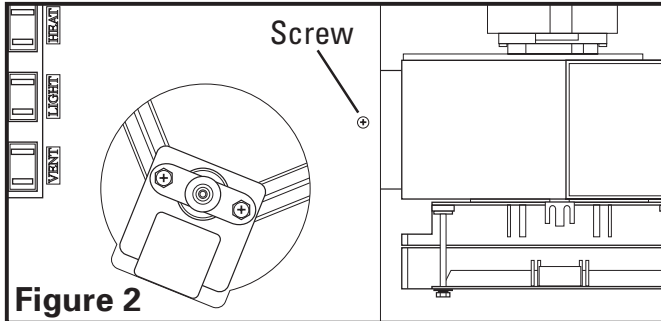
SECTION 1

Preparing the Unit

1. Unpack fan from the carton and confirm that all pieces are present. In addition to the unit you should have:
 - 1 - Grill with Light Lens
 - 4 - Mounting Rails
 - 1 - Instruction/Safety Sheet
2. Remove the two hex nuts holding the light reflector in place. Keep the reflector and nuts in the carton until needed so they do not get damaged or lost. **(Figure 1).**

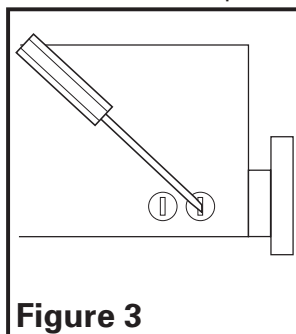


3. Remove the fan's venturi assembly, which is secured in place with one screw through the venturi **(Figure 2)**. Keep the venturi assembly and the grill in the carton until needed so they do not get damaged or lost.



WARNING: DO NOT INSTALL OVER A TUB OR MOUNT IN A SHOWER STALL ENCLOSURE.

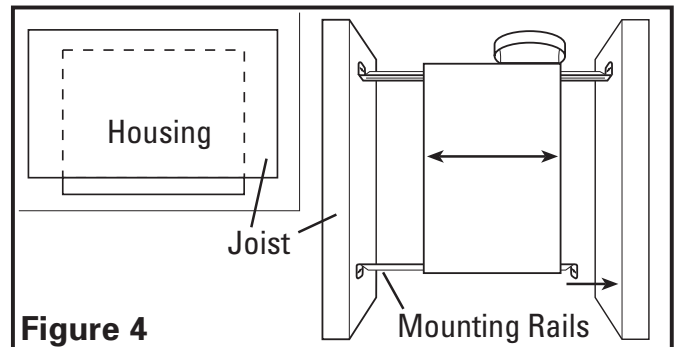
4. Choose the location for your unit. To ensure the best air and sound performance, it is recommended that the length of ducting and the number of elbows be kept to a minimum, and that insulated hard ducting be used. Larger duct sizes will reduce noise and airflow restrictions. This fan will require at least 7" of clearance in the ceiling, and will mount through drywall up to 3/4" thick. The fan mounts between 16" on center joists using the 4 provided mounting rails.
5. Remove the electrical knockouts using a straight-blade screw driver **(Figure 3)**.



SECTION 2

New Construction

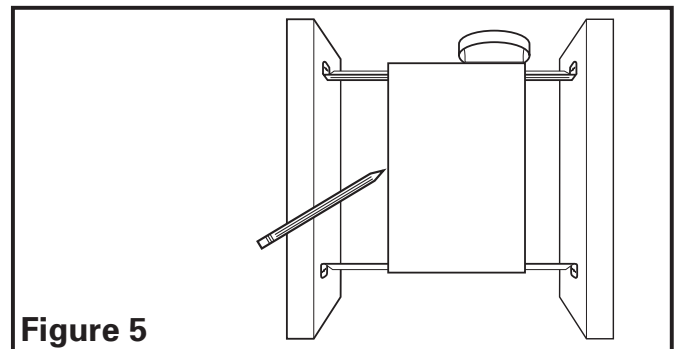
1. Install the rails on the housing and position the housing next to the joist. Line up housing so it will be flush with the finished ceiling. Secure the ends of the rails with screws or nails (not included) to the joists and slide housing into final position **(Figure 4)**.



SECTION 3

Existing Construction

1. Set housing in position between the joist and trace an outline onto the ceiling material **(Figure 5)**. Set housing aside and cut opening, being careful not to cut or damage any electrical or other hidden utilities. Install the rails on the housing and position the housing in the previously cut hole so that it is flush with the finished ceiling. Secure the ends of the rails to the joists with screws or nails (not provided) to ensure proper installation **(Figure 4)**.



SECTION 4

Ducting

CAUTION: ALL DUCTING MUST COMPLY WITH LOCAL AND NATIONAL BUILDING CODES.

1. Remove any tape that might be holding the damper in place. Connect the ducting to the fan's duct collar **(Figure 6)** and secure in place using tape or screw clamp. Always duct the fan to the outside through a wall or roof cap.

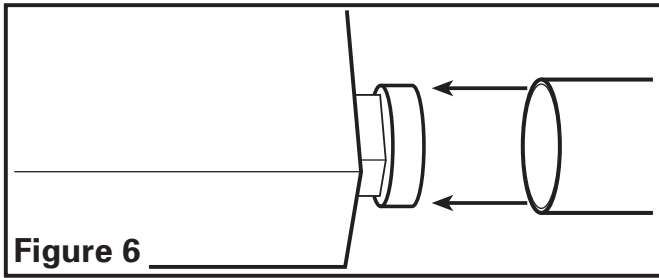


Figure 6

SECTION 5

Wiring

CAUTION: MAKE SURE POWER IS SWITCHED OFF AT SERVICE PANEL BEFORE STARTING INSTALLATION.

WARNING: THIS UNIT MUST BE WIRED ON A SEPARATE 15 AMP CIRCUIT.

WARNING: USE APPROPRIATELY SIZED COPPER CONDUCTORS ONLY RATED FOR AT LEAST 75°C.

CAUTION: ALL ELECTRICAL CONNECTIONS MUST BE MADE IN ACCORDANCE WITH LOCAL CODES, ORDINANCES, OR NATIONAL ELECTRICAL CODE. IF YOU ARE UNFAMILIAR WITH METHODS OF INSTALLING ELECTRICAL WIRING, SECURE THE SERVICES OF A QUALIFIED ELECTRICIAN.

1. Run wiring from wall switches carrying the appropriate rating. One neutral (white), one ground (green or bare copper), and three hot (red, blue, and yellow leads connected to the switch, one for each function). Secure the electrical wires to the housing with an approved electrical connector. Make sure you leave enough wiring in the box to make the connection to the fan's receptacles.
2. Connect the White wire from the house to the three White wires from the fan. Connect one Hot (Blue) wire from the wall switch to the Blue wire from the fan (this is the fan control). Connect second Hot (Red) wire from the wall switch to the Red wire from the fan (this is the heat control). Connect the third Hot (Yellow) wire from the wall switch to the Yellow wire from the fan (this is the light control). Connect the ground wire from the house to the Green wire from the fan (Figure 7). Use approved methods for all connections.

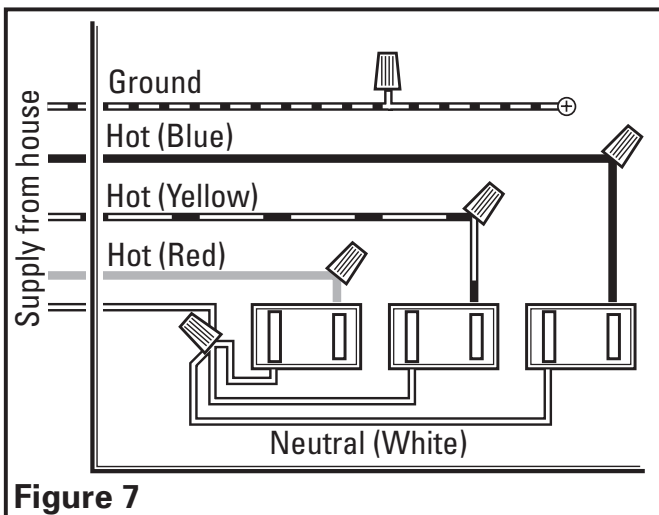


Figure 7

SECTION 6

Completing the Installation

1. Reinstall the fan's venturi by holding it at approximately a 45 degree angle, hook the two tabs on the venturi into the slots on the housing and secure in place by tightening the venturi screw. Rotate the blower wheel by hand to ensure it spins freely (Figure 8).

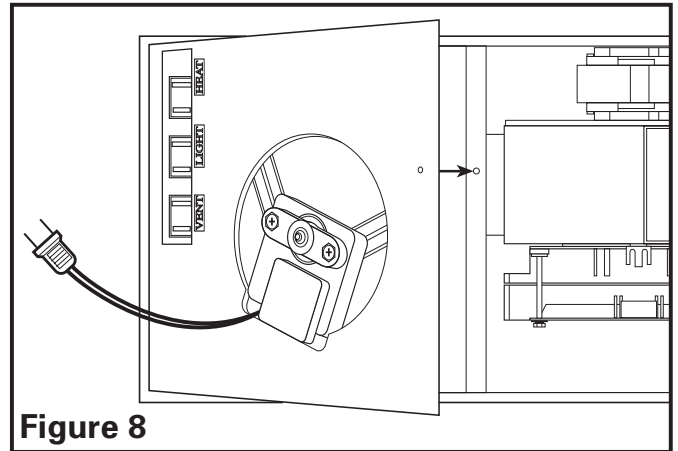


Figure 8

2. Insert the plug from the heating unit into the receptacle marked "HEAT", and the plug from the fan into the receptacle marked "VENT" (Figure 9).

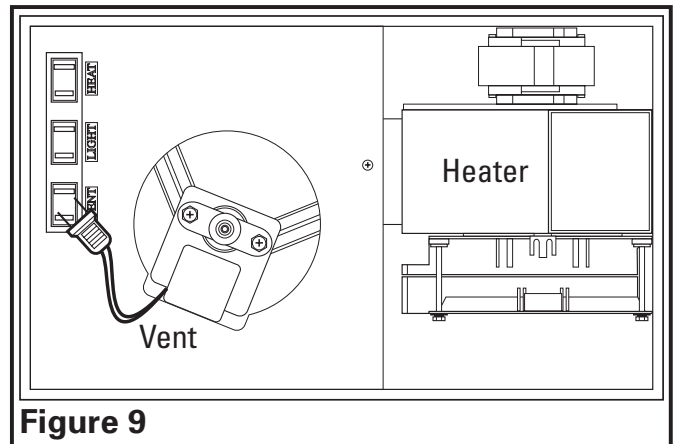


Figure 9

3. Remove grill from carton and open light lens area by pushing in on the two tabs of the light lens and pulling outward from lens. The lens will swing open on the connector bars. DO NOT remove the lens from the grill (Figure 10).

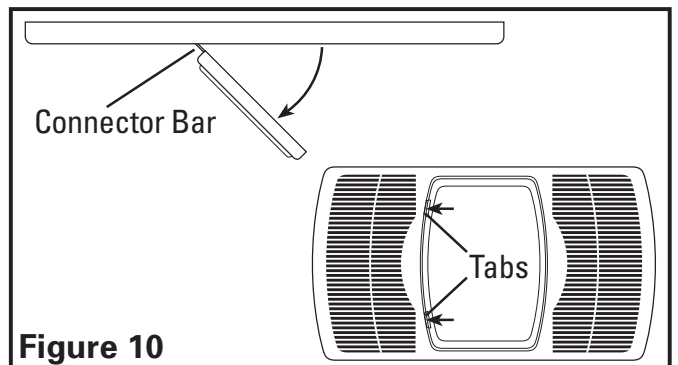


Figure 10

- Install light reflector into grill by lining up the posts on grill with the holes in light reflector (**Figure 11**). Raise light reflector and grill up to housing and insert plug from light into receptacle marked "LIGHT" (**Figure 9**).

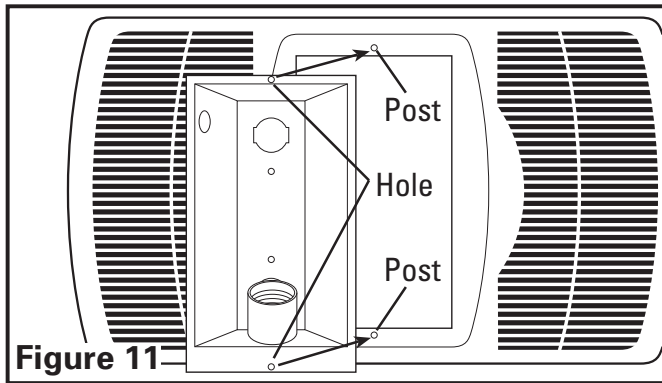


Figure 11

- Attach light reflector in place with the two nuts removed during *Step 2* in **SECTION 1 Preparing the Unit** so grill fits snugly against ceiling (**Figure 12**).

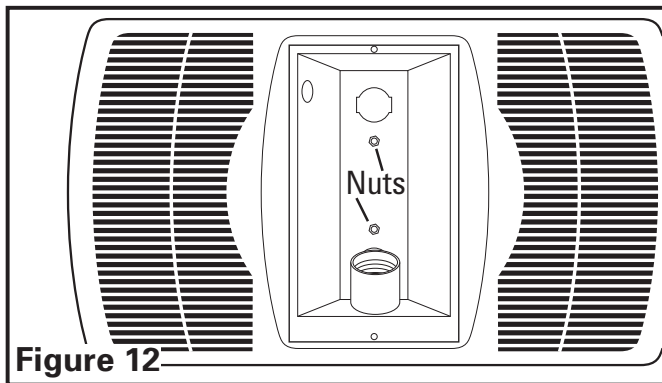


Figure 12

CAUTION: FAILURE TO SECURE THE REFLECTOR SCREWS MAY RESULT IN A RATTLING OR HUMMING NOISE.

- Install the appropriate bulb (not included) specific to your model:

AK55L: Install a 100 watt maximum, type A19 medium base incandescent bulb (not included).

WARNING: TO REDUCE THE RISK OF FIRE, USE ONLY TYPE PL OR CF, 4-PIN CFQ26W/GX24Q LAMP, 26 WATT MAXIMUM.

AKF55: Install an Air King model 26WFL or a compatible CFM26W/GX24Q lamp. (not included).

- Close the light lens and secure in place by swinging back into position and snapping the tabs in place (**Figure 13**).

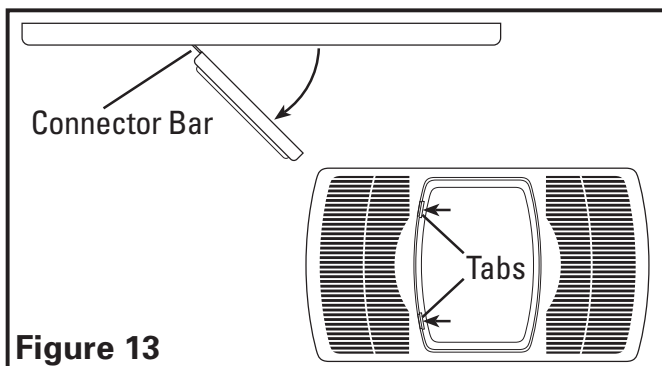


Figure 13

- Restore power and test your installation.

SECTION 7

Use and Care

CAUTION: MAKE SURE POWER IS SWITCHED OFF AT SERVICE PANEL BEFORE SERVICING THE UNIT.

- Cleaning the Grill:** Reverse the instructions in **Section 6 Completing the Installation** to remove grill. Use a mild detergent, such as dishwashing liquid, and dry with a soft cloth. NEVER USE ANY ABRASIVE PADS OR SCOURING POWDERS. Completely dry grill before reinstalling. Refer to instructions in **Section 6 Completing the Installation**, to reinstall grill.
- Cleaning the Fan Assembly:** Wipe all parts with a dry cloth or gently vacuum the fan. NEVER IMMERSE ELECTRICAL PARTS IN WATER.

CAUTION: ALLOW BULB TO COOL BEFORE REPLACING.

- Changing the Light Bulb:** Disconnect power to the unit. Open light lens by pushing in on the two tabs of light lens and pulling outward from lens. The lens will swing open on the connector bars. DO NOT remove the lens from the grill (**Figure 14**).

Incandescent Bulb (AK55L): Unscrew bulb from lamp holder and replace with a 100 watt maximum, type A19 medium base incandescent bulb.

WARNING: TO REDUCE THE RISK OF FIRE, USE ONLY TYPE PL OR CF, 4-PIN CFM26W/GX24Q LAMP, 26 WATT MAXIMUM.

Fluorescent Bulb: Remove lamp by gently rocking lamp back and forth while applying outward pressure to release the lamp from the base. Replace with Air King model 26WFL or a compatible CFM26W/GX24Q lamp.

Sylvania model: CF26DD/E/835

GE model: F26DBXT4SPX35/4P

Phillips model: PL-C 26W/835/4P/ALTO

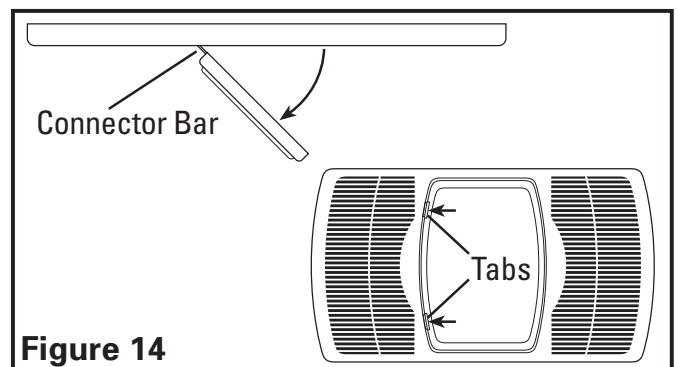


Figure 14

Troubleshooting Guide

Trouble	Probable Cause	Suggested Remedy
1. Fan does not operate when the switch is on.	1a. A fuse may be blown or a circuit tripped. 1b. Connector plug from motor is not plugged in. 1c. Wiring is not connected properly. 1d. Motor has stopped operating.	1a. Replace fuse or reset circuit breaker. 1b. Turn off power to unit. Remove Grill and plug motor into receptacle in housing. Restore power to unit. 1c. Turn off power to unit. Check that all wires are connected. 1d. Replace motor.
2. Fan is operating, but air moves slower than normal.	2. Obstruction in the exhaust ducting.	2. Check for any obstructions in the ducting. The most common are bird nests in the roof cap or wall cap where the fan exhausts to the outside.
3. Fan is operating louder than normal.	3a. Motor is loose. 3b. Fan blade is hitting housing of unit.	3a. Turn off power to unit. Remove grill and check that all screws are fully tightened. Restore power to unit. 3b. Call your dealer for service.
4. Heater stopped operating.	4. Thermal Cut Out switch has tripped.	4. Turning heater off and allowing to cool will reset the heater unit.

LIMITED WARRANTY

All products manufactured by Air King Limited are warranted for one year from the date of purchase against defects in workmanship and/or material. In addition, all ventilating/exhaust fans, heaters, combination fan lights and/or heaters, and range hoods are guaranteed for five years from the date of purchase against defects in workmanship and/or material.

This warranty does not cover any labor or shipping costs or the cost of replacement components as part of routine maintenance such as: range hood grease filters, charcoal filters or combination charcoal/grease filters; replacement light bulbs in range hoods or bathroom fan/light/bulb heater combinations. As well, any damage or failure caused by abuse, misuse, abnormal usage, faulty installation, or improper maintenance will not be covered by this warranty.

In order to make a claim on this warranty, you must be the original consumer of the product. You will be required to present to Air King the original bill of sale showing: date of purchase, place of purchase and model purchased. Failure to meet these requirements will void your warranty.

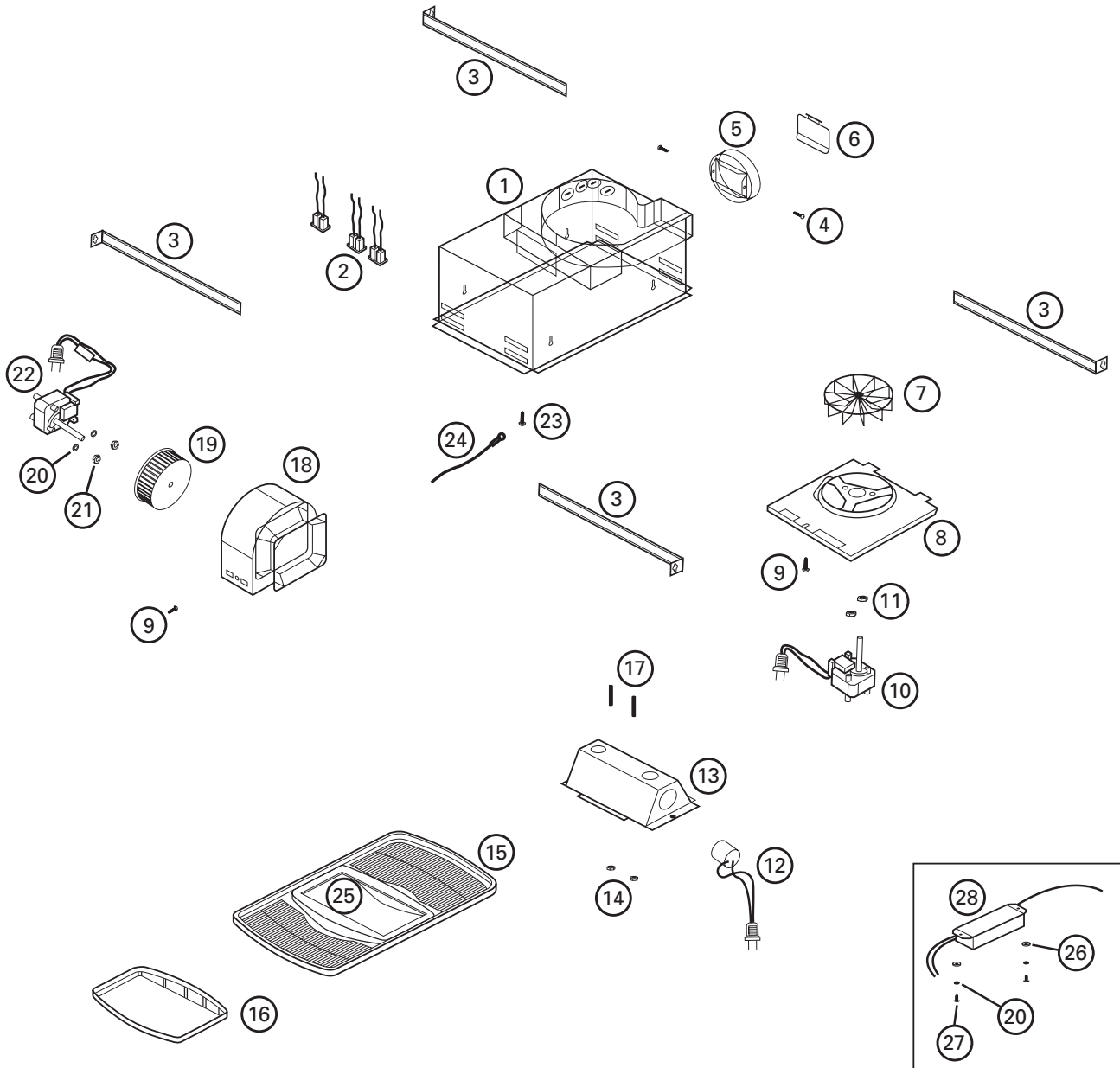
Air King will not be held responsible for any bodily injury or damages to personal property or real estate whether caused directly or indirectly by the product. Some states and provinces do not allow the exclusion or limitation of incidental or consequential damages and some states do not allow limitations on how long an implied warranty lasts, so these exclusions or limitations may not apply to you. This warranty gives you specific legal rights and you may have other rights which vary from state to state and province to province.

FOR PARTS OR TECHNICAL ASSISTANCE

Please call: 1-800-465-7300, **MONDAY THROUGH FRIDAY, BETWEEN THE HOURS OF 8 AM AND 4:00 PM EST.**
PLEASE DO NOT RETURN PRODUCT TO PLACE OF PURCHASE.

Reference the type and style of product (located on label inside of the product) when you call.
 For more information please visit our website: www.airkinglimited.com

REPLACEMENT PARTS DIAGRAM



#	Qty.	Description	Replacement Part #
1	1	Fan Housing	5S3402073
2	3	Receptacle	5S3402053
3	4	Mounting Rails	5S1299002
4	2	Collar Screw	5S3402040
5	1	Collar	5S3402041
6	1	Damper	5S3402042
7	1	Impeller - Vent	5S3402074
8	1	Motor Plate	5S3402075
9	1	#8 Screw	5S1999004
10	1	Motor	5S2201003
11	2	Hex Nut	5S1999006
12	1	Lamp Holder	5S3402054
13	1	Reflector	5S3402055
14	2	Reflector Hex Nuts	5S1999019

#	Qty.	Description	Replacement Part #
15	1	Grill	5S3402056
16	1	Glass Lens	5S3402058
17	2	8-32 x 2-1/2" Mounting Posts	5S3402098
18	1	Heater Blower Housing	5S3402076
19	1	Heater Blower Wheel	5S3402077
20	4	Lock Washer	5S3402049
21	2	Motor Hex Nut	5S3402050
22	1	Heater Motor	5S3402060
23	1	#10 Ground Screw	5S1999002
24	1	14 ga Ground Wire	5S1999003
25	1	Lens Frame	5S3402057
26	2	Lockwasher - AKF55	5S3202991
27	2	Ballast Screws - AKF55	5S3202992
28	1	Ballast - AKF55	5S3202993

Installer: _____

Installation Date: _____

Place of Purchase: _____

Model Number: _____

INSTRUCTIONS IMPORTANTES – MANUEL D'OPÉRATION

Modèles: AK55L, AKF55



Ventilateur d'Évacuation

LIRE ET CONSERVER CES INSTRUCTIONS

LIRE SOIGNEUSEMENT AVANT DE TENTER D'ASSEMBLER, INSTALLER, OPÉRER OU DE RÉPARER LE PRODUIT DÉCRIT. PROTÉGEZ VOUS-MÊME ET LES AUTRES EN OBSERVANT TOUTE L'INFORMATION DE SÉCURITÉ. FAILLIR À SE CONFORMER AUX INSTRUCTIONS PEUT RÉSULTER EN BLESSURE PERSONNELLE GRAVE ET/OU EN DOMMAGE À LA PROPRIÉTÉ.

CONSERVER CES INSTRUCTIONS POUR RÉFÉRENCES FUTURES.

INSTRUCTIONS GÉNÉRALES DE SÉCURITÉ

Lors de l'utilisation d'appareils électriques, des précautions de base doivent toujours être suivies pour réduire les risques d'incendie, de choc électrique et de blessures corporelles, incluant ce qui suit:

1. Bien lire toutes les instructions avant d'installer ou d'utiliser le ventilateur d'évacuation.
2. Utiliser cette unité seulement de la manière pour laquelle le fabricant l'a conçu. Si vous aviez des questions, veuillez contacter le fabricant.
3. Avant d'effectuer un service ou de nettoyer l'unité, couper l'alimentation électrique dans le panneau de distribution et verrouiller le dispositif de déconnexion afin d'éviter que l'alimentation ne revienne accidentellement. Lorsque le dispositif ne peut être verrouillé, fixer solidement un avis d'avertissement, tel qu'une étiquette, au panneau de distribution.
4. Le travail d'installation et le câblage électrique doivent être effectués par une(des) personne(s) qualifiée(s) en conformité avec tous les codes et normes applicables, incluant la construction relative aux incendies.
5. De l'air en quantité suffisante est requis pour la bonne combustion et l'évacuation de gaz par le conduit (cheminée) provenant d'équipement de brûlage au combustible pour prévenir un refoulement. Suivre les directives du fabricant de l'équipement de chauffage et les normes de sécurité telles que celles publiées par la National Fire Protection Association (NFPA) et de la American Society for Heating, Refrigeration, and Air Conditioning Engineers (ASHRAE), et de celles des autorités locales du code.
6. Lors de coupe ou de perçage des murs et plafonds, ne pas endommager le filage électrique et autres utilités cachées.
7. Les ventilateurs avec conduits doivent toujours être évacués vers l'extérieur.
8. Cette unité doit être mise à la terre.
9. Pour éviter des dommages aux roulements des moteurs et/ou des hélices bruyantes ou déséquilibrées, empêcher la poussière de cloison sèche, poussière de construction, etc., d'atteindre l'unité de puissance.

AVERTISSEMENT: POUR RÉDUIRE LES RISQUES D'INCENDIE OU DE CHOC ÉLECTRIQUE, NE PAS UTILISER CE VENTILATEUR AVEC UN RÉGULATEUR DE VITESSE ÉLECTRONIQUE.

AVERTISSEMENT: NE PAS INSTALLER AU-DESSUS D'UNE BAIGNOIRE NI AU-DESSUS D'UNE CABINE DE DOUCHE.

10. Ne pas installer dans un plafond muni d'isolation thermique d'une valeur supérieure à R-40.

11. **NE JAMAIS** placer un interrupteur à un endroit qui puisse être atteint de la baignoire ou de la douche.

AVERTISSEMENT: NE PAS UTILISER DANS LES CUISINES

AVERTISSEMENT: CETTE UNITÉ EST CONÇUE ET TESTÉE POUR N'ÊTRE QUE SOURCE ADDITIONNELLE DE CHAUFFAGE POUR UTILISATION AVEC UNE MINUTERIE OU UN INTERRUPTEUR. ELLE N'EST PAS CONÇUE POUR ÊTRE UTILISÉE COMME SOURCE PRINCIPALE DE CHAUFFAGE CONTRÔLÉE PAR THERMOSTAT.

AVERTISSEMENT: POUR USAGE DE VENTILATION GÉNÉRALE EXCLUSIVEMENT. NE PAS UTILISER POUR ÉVACUER DU MATÉRIEL ET DES VAPEURS DANGEREUSES OU EXPLOSIVES.

CONSERVER CES INSTRUCTIONS

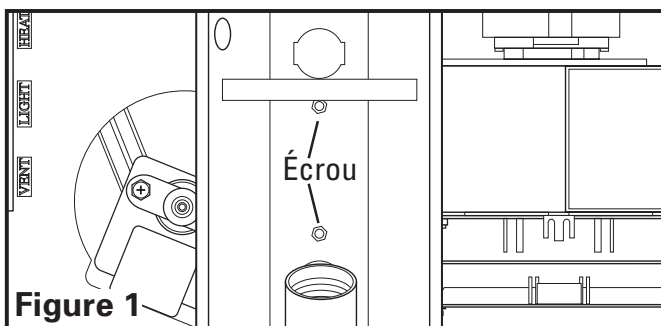
INSTRUCTIONS D'INSTALLATION

AVERTISSEMENT: VOUS ASSURER QUE L'ALIMENTATION EST COUPÉE AU PANNEAU DE SERVICE AVANT DE COMMENCER L'INSTALLATION.

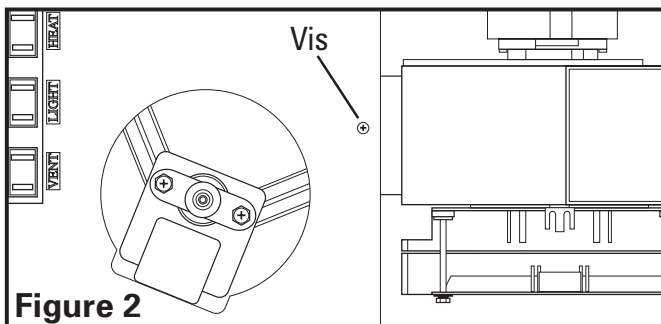
SECTION 1

Préparation du Ventilateur d'évacuation

- Sortir le ventilateur de sa boîte et confirmer que toutes les pièces sont présentes. En plus du ventilateur d'évacuation vous devriez avoir:
 - 1 - Grille avec les Lentilles de l'éclairage
 - 4 - Traverses de Montage
 - 1 - Feuillet d'instructions / sécurité
- Enlever les deux écrous hexagonaux qui tiennent le réflecteur de lumière en place. Conserver le réflecteur et les écrous dans la boîte jusqu'au besoin pour qu'ils ne soient pas perdus ou endommagés (**Figure 1**).

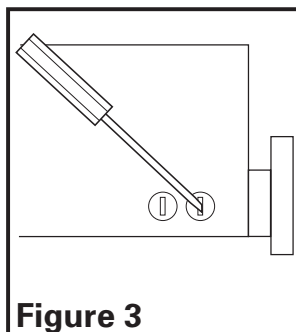


- Retirer l'ensemble venturi du ventilateur, lequel est fixé en place par une vis au travers du venturi (**Figure 2**). Garder l'ensemble venturi et la grille dans la boîte jusqu'à ce que vous en ayez besoin pour qu'ils ne soient pas endommagés ou perdus.



AVERTISSEMENT: NE PAS INSTALLER AU-DESSUS D'UNE BAIGNOIRE NI AU-DESSUS D'UNE CABINE DE DOUCHE.

- Choisissez l'emplacement pour votre unité. Pour assurer la meilleure performance du débit d'air et sonore, il est recommandé que la longueur des conduits et que le nombre de coudes soient gardés au minimum et que des conduits rigides isolés soient utilisés. Des plus grands formats de conduits réduiront le bruit et les



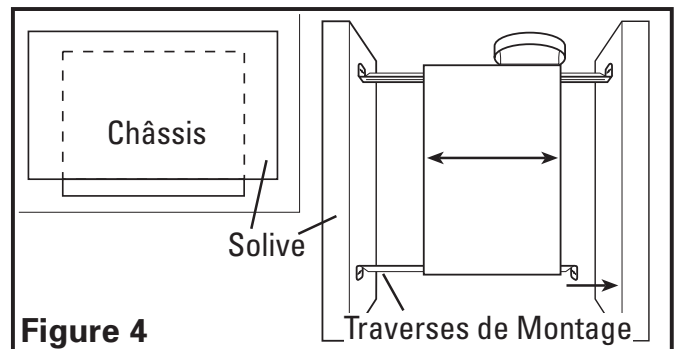
restrictions au débit d'air. Ce ventilateur nécessite au moins 17,78 cm (7 po) de dégagement du mur ou du plafond, et peut s'installer au travers de cloisons sèches d'épaisseur de 1,9 cm (3/4 po). Le ventilateur s'installe entre 40,6cm (16po) au centre des solives à l'aide des quatre (4) traverses de montage incluses.

- Enlever l'alvéole défonçable à l'aide d'un tournevis plat (**Figure 3**).

SECTION 2

Nouvelle Construction

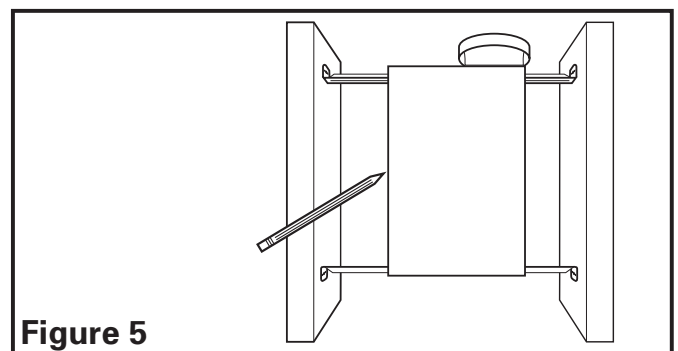
- Installer les traverses sur le châssis et positionner le châssis près de la solive. Aligner le châssis pour qu'il soit à effleurement avec le plafond fini. Fixer les extrémités des traverses avec des clous ou des vis (non-comprises) aux solives et glisser le châssis à sa position finale (**Figure 4**).



SECTION 3

Construction Existante

- Placer le châssis en position entre les solives et tracer un contour sur le matériau du plafond (**Figure 5**). Mettre le châssis de côté et découper l'ouverture, en prenant soin de ne pas couper ou endommager des câbles électriques dissimulés ou autres utilités. Installer les traverses sur le châssis et positionner le châssis dans le trou percé précédemment afin qu'il soit à effleurement avec le plafond fini. Fixer les extrémités des traverses aux solives (**Figure 4**).



SECTION 4

Conduits

AVERTISSEMENT: TOUS LES CONDUITS DOIVENT ÊTRE CONFORMES AUX CODES DU BÂTIMENT LOCAUX ET NATIONAUX.

1. Enlever tout ruban adhésif qui pourrait retenir le clapet en place durant le transport et raccorder les conduits au collet du conduit du ventilateur (**Figure 6**). Fixer en place à l'aide de ruban ou de serre-joint. Toujours évacuer le ventilateur vers l'extérieur au travers de chapeau mural ou de toit.

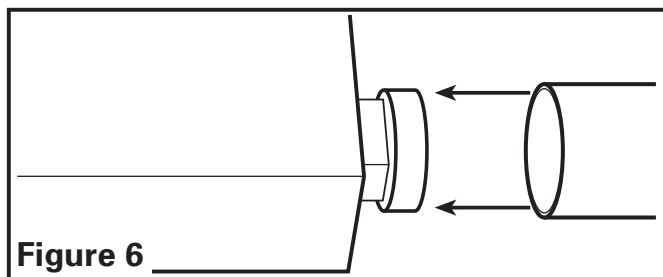


Figure 6

SECTION 5

Câblage

AVERTISSEMENT: VOUS ASSURER QUE L'ALIMENTATION EST COUPÉE AU PANNEAU DE SERVICE AVANT DE COMMENCER L'INSTALLATION.

AVERTISSEMENT: CETTE UNITÉ DOIT ÊTRE CONNECTÉE SUR UN CIRCUIT SÉPARÉ D'UNE CAPACITÉ DE 20 AMPÈRES.

AVERTISSEMENT: UTILISER UNIQUEMENT DES CONDUCTEURS EN CUIVRE DE CALIBRE APPROPRIÉ ET QUALIFIÉS POUR UN MINIMUM DE 75°C.

AVERTISSEMENT: TOUTES LES CONNEXIONS DOIVENT ÊTRE FAITES EN CONFORMITÉ AVEC LES CODES ÉLECTRIQUES LOCAUX OU NATIONAUX. SI VOUS N'ÊTES PAS FAMILIER AVEC LES MÉTHODES D'INSTALLATION DE CÂBLAGE ÉLECTRIQUE, RECOURREZ AUX SERVICES D'UN ÉLECTRICIEN QUALIFIÉ.

1. Courir un filage de calibre approprié à partir des interrupteurs muraux. Un fil de neutre (blanc), un fil de mise à la terre (vert ou cuivre nu), et trois fils vivants (fils rouge, bleu et jaune, connectés à l'interrupteur, un pour chaque fonction). Fixer les fils électriques au châssis avec un connecteur électrique approprié. Assurez-vous de garder suffisamment de fil dans la boîte pour faire les connexions aux réceptacles du ventilateur.
2. Connecter le fil Blanc de la résidence aux trois fils Blanc du ventilateur. Connecter un fil vivant (Bleu) de l'interrupteur mural au fil Bleu du ventilateur (celui-ci pour le contrôle du ventilateur). Connecter le second fil Vivant (Rouge) de l'interrupteur mural au fil Rouge du ventilateur (contrôle du chauffage). Connecter le troisième fil Vivant (Jaune) de l'interrupteur mural au fil Jaune du ventilateur (contrôle de la lumière). Connecter le fil de mise à la terre de la résidence au fil Vert du ventilateur (**Figure 7**). Utiliser des méthodes approuvées pour toutes les connexions.

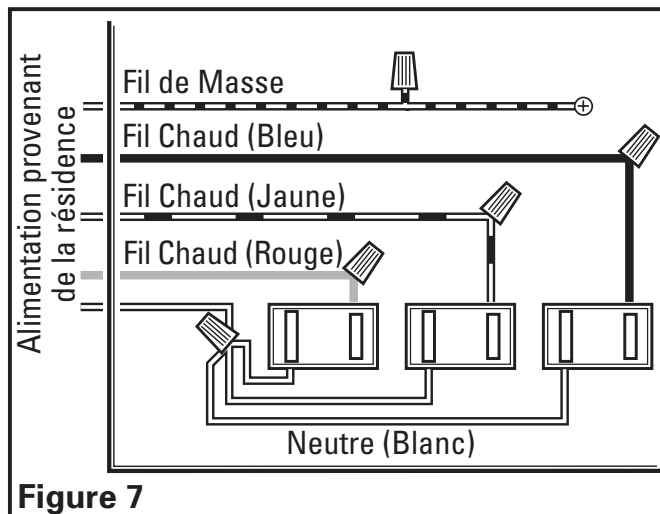


Figure 7

SECTION 6

Complétion de l'installation

1. Réinstaller le venturi du ventilateur en le tenant à un angle d'environ 45 degrés, accrocher les deux onglets sur le venturi dans les fentes sur le cabinet et fixer en place en serrant les vis du venturi. Faire tourner la roue de la soufflante à la main pour s'assurer qu'elle tourne librement (**Figure 8**).

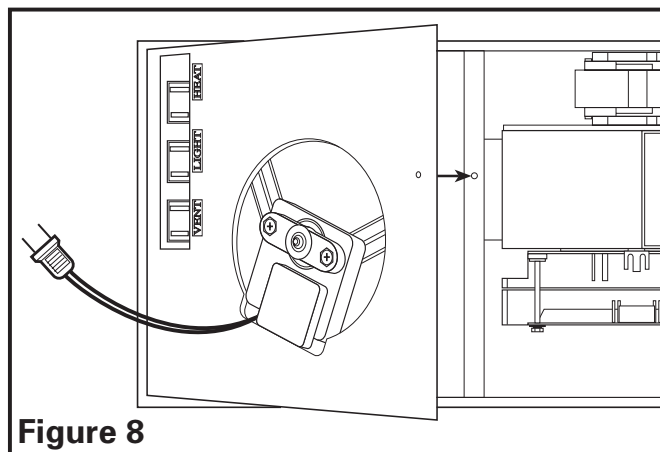


Figure 8

2. Insérer la fiche provenant de l'unité de chauffage dans le réceptacle marqué « CHAUFFAGE (HEAT) », et la fiche venant du ventilateur dans le réceptacle marqué « VENT » (**Figure 9**).

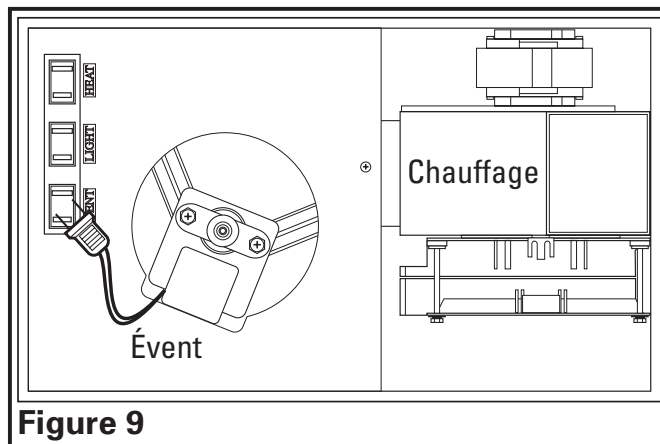
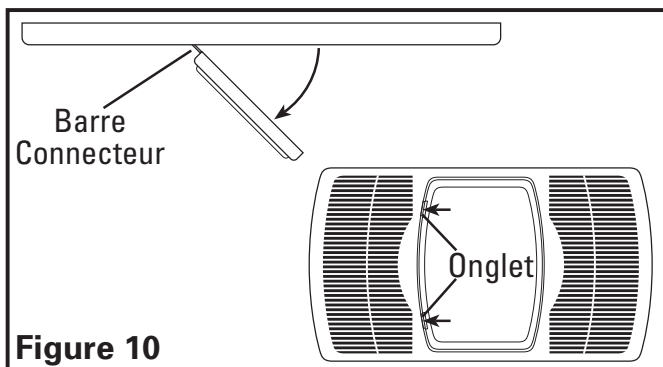
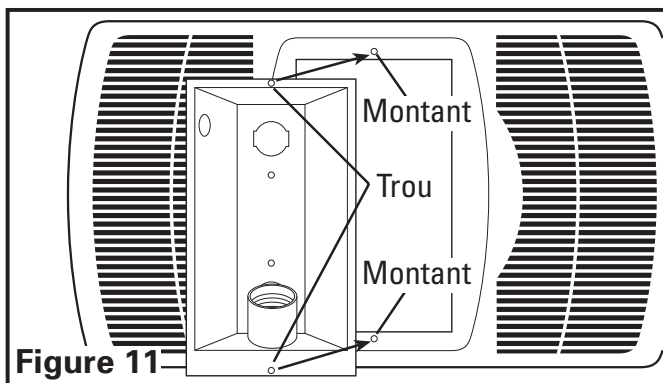


Figure 9

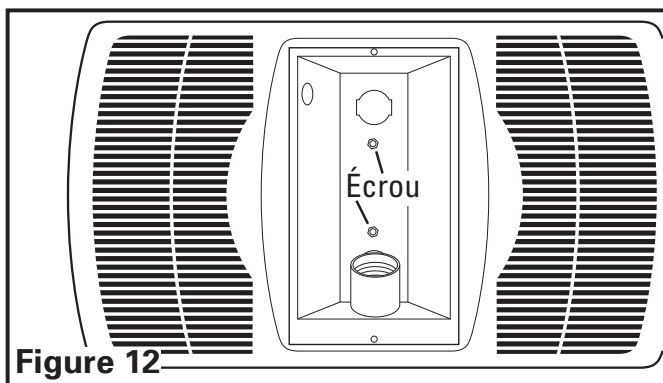
3. Enlever la grille de la boîte et ouvrir la section lentilles de lampe en poussant sur les deux onglets des lentilles de lampe et en tirant vers l'extérieur des lentilles. Les lentilles basculeront en position ouverte sur les barres connecteurs. NE PAS enlever les lentilles de la grille (**Figure 10**).



4. Installer le réflecteur de lumière dans la grille en alignant les montants sur la grille avec les trous dans le réflecteur de lumière (**Figure 11**). Soulever le réflecteur de lumière et la grille jusqu'au châssis et insérer la fiche de la lumière dans le réceptacle marqué « LUMIÈRE (LIGHT) » (**Figure 9**).



5. Attacher le réflecteur de lumière en place avec les deux écrous enlevés durant l'Étape 2 dans la **SECTION 1 Préparation de l'unité**, afin que la grille s'ajuste fermement contre le plafond (**Figure 12**).



AVERTISSEMENT: UN MANQUEMENT À BIEN SERRER LES VIS DU RÉFLECTEUR PEUT RÉSULTER EN UN BRUIT DE CRÉCELLEMENT OU DE GRONDEMENT.

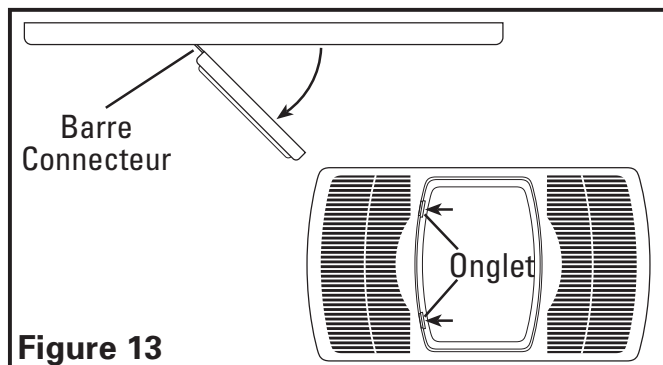
6. Installer les ampoules appropriées (non-comprised) spécifiques à votre modèle:

AK55L: Installer une ampoule incandescente à culot moyen de type A19 de 100 watts au maximum (non-comprise).

AVERTISSEMENT: POUR RÉDUIRE LE RISQUE D'INCENDIE, UTILISER UNIQUEMENT UNE LAMPE DE TYPE PL OU CF, À 4 TIGES CFM26W/GX24Q, D'UN MAXIMUM DE 26 WATTS.

AKF55: Installer une ampoule modèle Air King 26WFL ou ampoule équivalent CFM26W/GX24Q (non-comprise).

7. Fermer les lentilles de lumière et fixer en place en les basculant en position et en pressant les onglets en place (**Figure 13**).



8. Restaurer l'alimentation et tester votre installation.

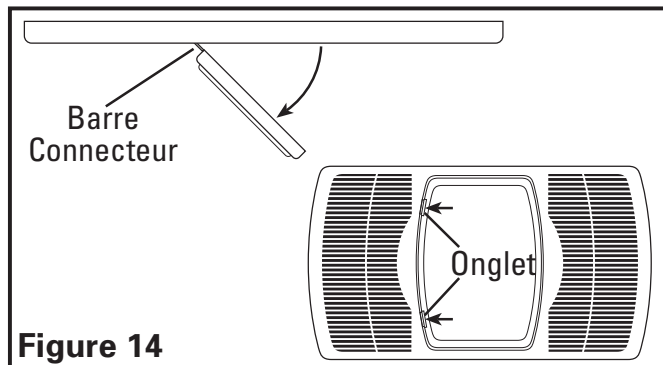
SECTION 7 Utilisation et entretien

AVERTISSEMENT: VOUS ASSURER QUE L'ALIMENTATION EST COUPÉE AU PANNEAU DE SERVICE AVANT DE COMMENCER L'INSTALLATION.

1. **Nettoyage de la grille:** Inverser les instructions dans la **Section 6 Compléter l'installation**, pour enlever la grille. Utiliser un détergent doux, tel que du liquide à vaisselle, puis sécher avec un chiffon doux. NE JAMAIS UTILISER DE POUDRE ABRASIVE OU DE TAMPON À RÉCURER. Sécher complètement la grille avant de la réinstaller. Référez-vous à la **Section 6 Compléter l'installation**, pour réinstaller la grille.
2. **Nettoyage de l'assemblage du ventilateur:** nettoyer toutes les pièces avec un chiffon sec ou passer délicatement l'aspirateur dans le ventilateur. NE JAMAIS IMMERGER DES PIÈCES ÉLECTRIQUES DANS L'EAU.

AVERTISSEMENT: PERMETTRE À L'AMPOULE DE SE REFROIDIR AVANT DE LA REPLACER

3. **Remplacement de l'ampoule:** Débrancher l'alimentation de l'unité. Ouvrir les lentilles de lumière en poussant sur les deux onglets et en la tirant vers l'extérieur des lentilles. Les lentilles basculeront en position ouverte sur les barres connecteurs. NE PAS enlever les lentilles de la grille (**Figure 14**).



Ampoule Incandescente (AK55L): Dévisser le globe du socle de lampe et le remplacer avec une ampoule incandescente d'un maximum de 100 watts, de type A19 à culot moyen.

AVERTISSEMENT: POUR RÉDUIRE LE RISQUE D'INCENDIE, UTILISER UNIQUEMENT UNE LAMPE DE TYPE PL OU CF, À 4 TIGES CFM26W/GX24Q, D'UN MAXIMUM DE 26 WATTS.

Ampoule Fluorescente: Pour enlever l'ampoule, basculer vers l'extérieur de la douille et en tirant pour l'extraire de sa base. Ampoule de remplacement : Utiliser modèle Air King 26WFL ou modèle équivalent CFM26W/GX24Q.

Modèle Sylvania: CF26DD/E/835

Modèle GE: F26DBXT4SPX35/4P

Modèle Phillips: PL-C 26W/835/4P/ALTO

Guide de dépannage

Trouble	Cause Possible	Solution Suggérée
1. Le ventilateur ne fonctionne pas lorsque l'interrupteur est à la position en marche.	1a. Un fusible peut être grillé ou un disjoncteur peut être déclenché. 1b. La fiche de raccord du moteur n'est pas connectée. 1c. Le câblage n'est pas raccordé correctement. 1d. Le moteur est terminée	1a. Remplacer le fusible ou réinitialiser le disjoncteur. 1b. Couper l'alimentation à l'unité. Retirer la grille et brancher le moteur dans le réceptacle dans le cabinet. Remettre l'alimentation sur l'unité. 1c. Couper l'alimentation de l'unité. Vérifier que tous les fils sont raccordés. 1d. Remplacez la moteur
2. Le ventilateur fonctionne, mais l'air circule plus lentement que la normale.	2. Obstruction dans les conduits d'évacuation.	2. Vérifier pour toute obstruction dans les conduits. Les plus courantes sont des nids d'oiseau dans le chapeau de toit ou mural là où le ventilateur s'évacue vers l'extérieur.
3. Le ventilateur fonctionne de manière plus bruyante que la normale.	3a. Le moteur est lâche. 3b. L'hélice du ventilateur frotte contre le cabinet de l'unité.	3a. Couper l'alimentation à l'unité. Retirer la grille et vérifier que toutes les vis sont complètement serrées. Remettre l'alimentation sur l'unité. 3b. Appeler votre marchand pour un service.

GARANTIE LIMITÉE

Tous les produits fabriqués par Air King Limited sont garantis pour un an à partir de la date d'achat contre les défauts de main d'œuvre et/ou de matériel. De plus, tous les ventilateurs / évacuateurs, chaufferettes, combinés ventilateur/ lumière et/ou les chaufferettes et les hottes de cuisine sont garantis pour cinq années à partir de la date d'achat contre les défauts de main d'œuvre et/ou de matériel.

Cette garantie ne couvre pas de coûts de transport ou de main d'œuvre ou le coût de remplacement de composantes faisant partie d'entretien de routine tels que : Filtres à graisse des hottes de cuisine, filtres au charbon ou combiné filtre à graisse/ charbon ; ampoules électriques de remplacement dans les hottes de cuisine ou les combinés ventilateur/ lumière/ chaufferette pour salle de bain. Aussi, tout dommage ou défaillance causé par un abus, une mauvaise utilisation, une installation fautive ou un entretien incorrect ne sera pas couvert par cette garantie.

De manière à effectuer une réclamation sous cette garantie, vous devez être l'acheteur original du produit. Il vous sera exigé de présenter la facture d'achat originale à Air King, qui démontrera : La date d'achat, l'endroit de l'achat et le modèle acheté. Le manquement à rencontrer ces exigences annulera votre garantie.

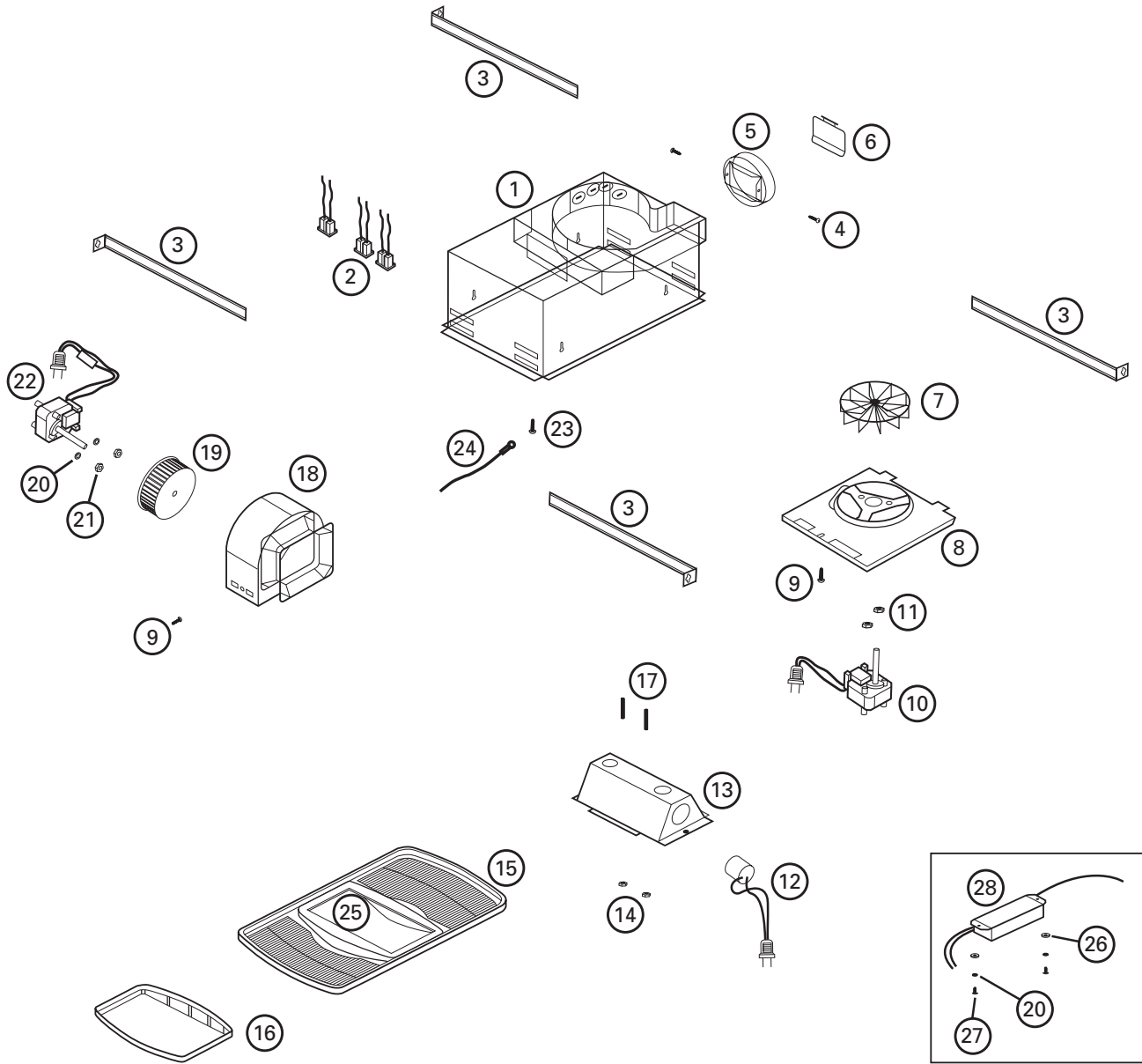
Air King ne sera pas tenu responsable de quelque blessure corporelle ou dommage à la propriété ou à l'immeuble que ce soit causé directement ou indirectement par le produit. Certains États ne permettent pas de limitation sur la durée de la garantie implicite, ou l'exclusion ou la limitation de dommages indirects ou accessoires, ainsi, ces limitations et exclusions peuvent ne pas s'appliquer à vous. Cette garantie vous donne des droits légaux spécifiques et vous pouvez aussi avoir des droits qui varient d'un État à l'autre et d'une province à l'autre.

POUR DES PIÈCES OU DE L'ASSISTANCE TECHNIQUE

Veuillez appeler au 1-800-465-7300, **DU LUNDI AU VENDREDI ENTRE 8:00 HRE ET 16:00 HRE HNE.**
VEUILLEZ NE PAS RETOURNER CE PRODUIT À L'ENDROIT DE L'ACHAT D'ORIGINE.

Référencer le type et le style du produit (localisé sur l'étiquette à l'intérieur du produit) lorsque vous appelez.
Pour plus d'information, veuillez visiter le site Web de Air King au www.airkinglimited.com

DIAGRAMME DES PIÈCES DE REMPLACEMENT



#	Qty.	Description	# de pièce de remplacement
1	1	Cabinet du ventilateur	5S3402073
2	3	Réceptacle	5S3402053
3	4	Traverses de Montage	5S1299002
4	2	Vis à Collet	5S3402040
5	1	Collet	5S3402041
6	1	Clapet	5S3402042
7	1	Hélice - Évent	5S3402074
8	1	Plaque de Moteur	5S3402075
9	1	Vis #8	5S1999004
10	1	Moteur	5S2201003
11	2	Écrou hexagonal	5S1999006
12	1	Support de la Lumière	5S3402054
13	1	Réflecteur	5S3402055
14	2	Écrous hexagonaux de réflecteur	5S1999019

#	Qty.	Description	# de pièce de remplacement
15	1	Grille	5S3402056
16	1	Lentilles de Verre	5S3402058
17	2	Montants de montage de 8-32 x 2-1/2"	5S3402098
18	1	Châssis de la soufflante du chauffage	5S3402076
19	1	Roue de la soufflante du chauffage	5S3402077
20	4	Rondelle de sécurité du moteur	5S3402049
21	2	Écrou hexagonal du moteur	5S3402050
22	1	Moteur du chauffage	5S3402060
23	1	Vis #10 de mise à la terre	5S1999002
24	1	Fil de mise à la terre de calibre #14	5S1999003
25	1	Châssis de lentilles	5S3402057
26	2	Rondelle	5S3202991
27	2	Vis du ballast - AKF55	5S3202992
28	1	Ballast - AKF55	5S3202993

Installateur: _____ Date d'installation: _____

Endroit de l'achat: _____ Numéro de modèle: _____