

IMPORTANT INSTRUCTIONS - OPERATING MANUAL

Model B600



Blower

READ AND SAVE THESE INSTRUCTIONS

READ CAREFULLY BEFORE ATTEMPTING TO ASSEMBLE, INSTALL, OPERATE OR MAINTAIN THE PRODUCT DESCRIBED. PROTECT YOURSELF AND OTHERS BY OBSERVING ALL SAFETY INFORMATION. FAILURE TO COMPLY WITH INSTRUCTIONS COULD RESULT IN PERSONAL INJURY AND/OR PROPERTY DAMAGE!

RETAIN INSTRUCTIONS FOR FUTURE REFERENCE.

GENERAL SAFETY INFORMATION

When using electrical appliances, basic precautions should always be followed to reduce the risk of fire, electric shock and injury to person, including the following:

WARNING: TO REDUCE THE RISK OF FIRE, ELECTRIC SHOCK AND INJURY TO PERSON, OBSERVE THE FOLLOWING:

1. Read all instructions before installing or using range hood.
2. Use this unit only in the manner intended by the manufacturer. If you have questions, contact the manufacturer.
3. Before servicing or cleaning the unit, switch power off at service panel and lock the service disconnecting means to prevent power from being switched on accidentally. When the service disconnecting means cannot be locked, securely fasten a prominent warning device, such as a tag, to the service panel.
4. Installation work and electrical wiring must be done by qualified person(s) in accordance with all applicable codes and standards, including fire-related construction.

5. Sufficient air is needed for proper combustion and exhausting of gases through the flue (chimney) of fuel burning equipment to prevent back drafting. Follow the heating equipment manufacturer's guideline and safety standards such as those published by the National Fire Protection Association (NFPA) and the American Society for Heating, Refrigeration, and Air Conditioning Engineers (ASHRAE), and the local code authorities.

CAUTION: FOR GENERAL VENTILATING USE ONLY. DO NOT USE TO EXHAUST HAZARDOUS OR EXPLOSIVE MATERIALS AND VAPORS.

6. To avoid motor bearing damage and noisy and/or unbalanced impellers, keep drywall spray, construction dust, etc. off power unit.
7. Refer to the instructions included with the Range Hood Canopy for additional safety information.

SAVE THESE INSTRUCTIONS

INSTALLATION INSTRUCTIONS

CAUTION: MAKE SURE POWER IS SWITCHED OFF AT SERVICE PANEL BEFORE STARTING INSTALLATION.

WARNING: THIS BLOWER IS INTENDED FOR USE ONLY IN AIR KING PROFESSIONAL SERIES RANGEHOOD CANOPIES MARKED SUITABLE FOR USE WITH THIS BLOWER. DO NOT TO INSTALL IN ANY OTHER APPLICATION.

SECTION 1

Preparing for installation

NOTE: Before installing blower, make sure range hood canopy is properly installed and securely in place. See "Range Hood Mounting Instructions".

1. Unpack blower from the carton and confirm that all pieces are present. In addition to the blower you should have:

- 8 - 8-32 Screws
- 8 - Washers
- 1 - Fuse
- 1 - Capacitor Cover
- 3 - #6 Screws
- 1 - Instruction/Safety Sheet

2. Position capacitor attached to motor over center mounting hole in face of blower and fasten in place using (1) # 6 screw. Position the capacitor cover over the capacitor and fasten in place using (2) # 6 screws (**Figure 1**).

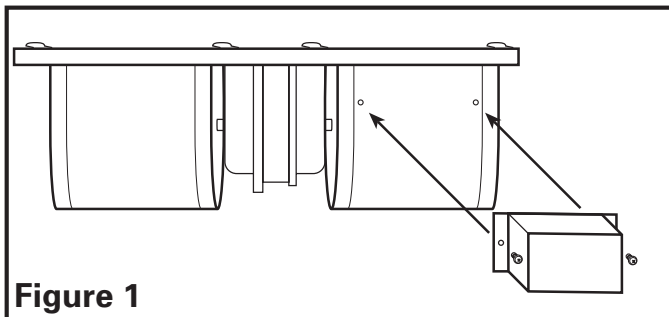


Figure 1

3. The installation of the blower is slightly different from one canopy height to another. For 18" high canopies proceed to **Section 2**, for 10" high canopies proceed to **Section 3**.

SECTION 2

Installation into 18" High Canopy

1. Lift blower up into the hood canopy and slide the keyhole slots in the motor mounting flange over the two studs of the hood. Slide the motor into place and tighten the hex nuts on the mounting stud while lining up the 8 holes in the motor mounting flange to the 8 screw studs of the hood (**Figure 2**).

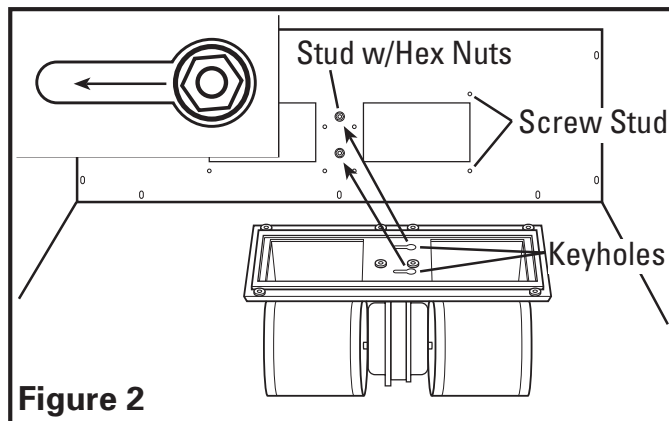


Figure 2

2. Using the included 8-32 screws and washers, mount the blower in place and tighten all screws. Confirm that the blower is securely seated in place and there are no air gaps around the blower gasket.
3. Plug both the 3 wire and 4 wire quick connect cords from the blower into the appropriate receptacles located on the inside front of the hood canopy. These cords will only fit into the receptacles one way (**Figure 3**).

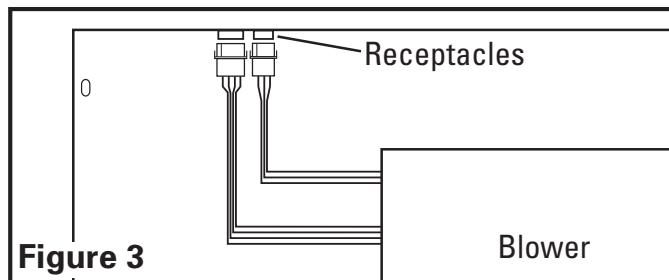


Figure 3

SECTION 3

Installation into 10" High Canopy

1. Remove the rear bottom plate of the hood canopy. It is secured in place with a screw and washer on either side (**Figure 4**).

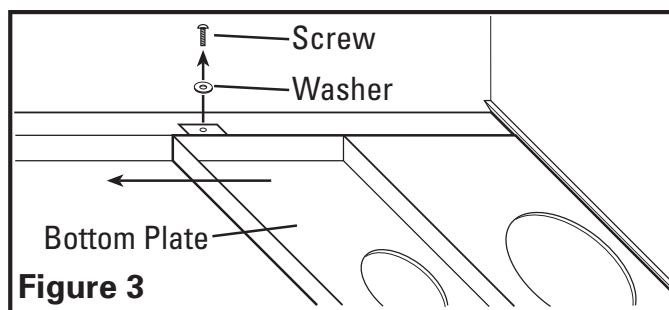
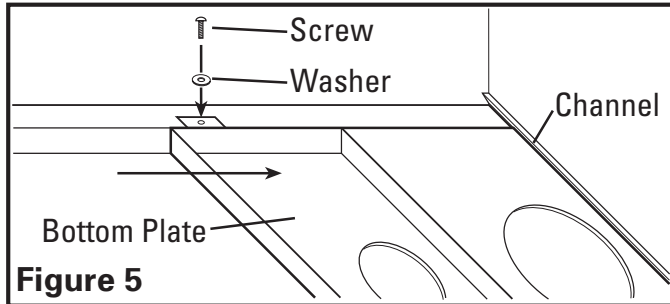


Figure 3

2. Lift blower up into the hood canopy and slide the keyhole slots in the blower mounting flange over the two studs of the hood. Slide the blower into place and tighten the hex nuts on the mounting stud while lining up the 8 holes in the blower mounting flange to the 8 screw studs of the hood (**Figure 2**).
3. Using the included 8-32 screws and washers, mount the blower in place and tighten all screws. Confirm that the blower is securely seated in place and there are no air gaps around the blower gasket.

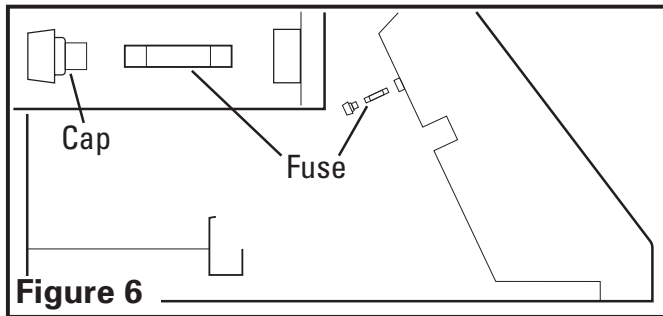
4. Plug both the 3 wire and 4 wire quick connect cords from the blower into the appropriate receptacles located on the inside front of the hood canopy. These cords will only fit into the receptacles one way (**Figure 3**).
5. Reinstall the rear bottom plate by fitting the back edge of the plate into the channel located on the back of the hood and reinstalling the two screws and washers removed in *Step 1* (**Figure 5**).



SECTION 4

Finishing the Installation

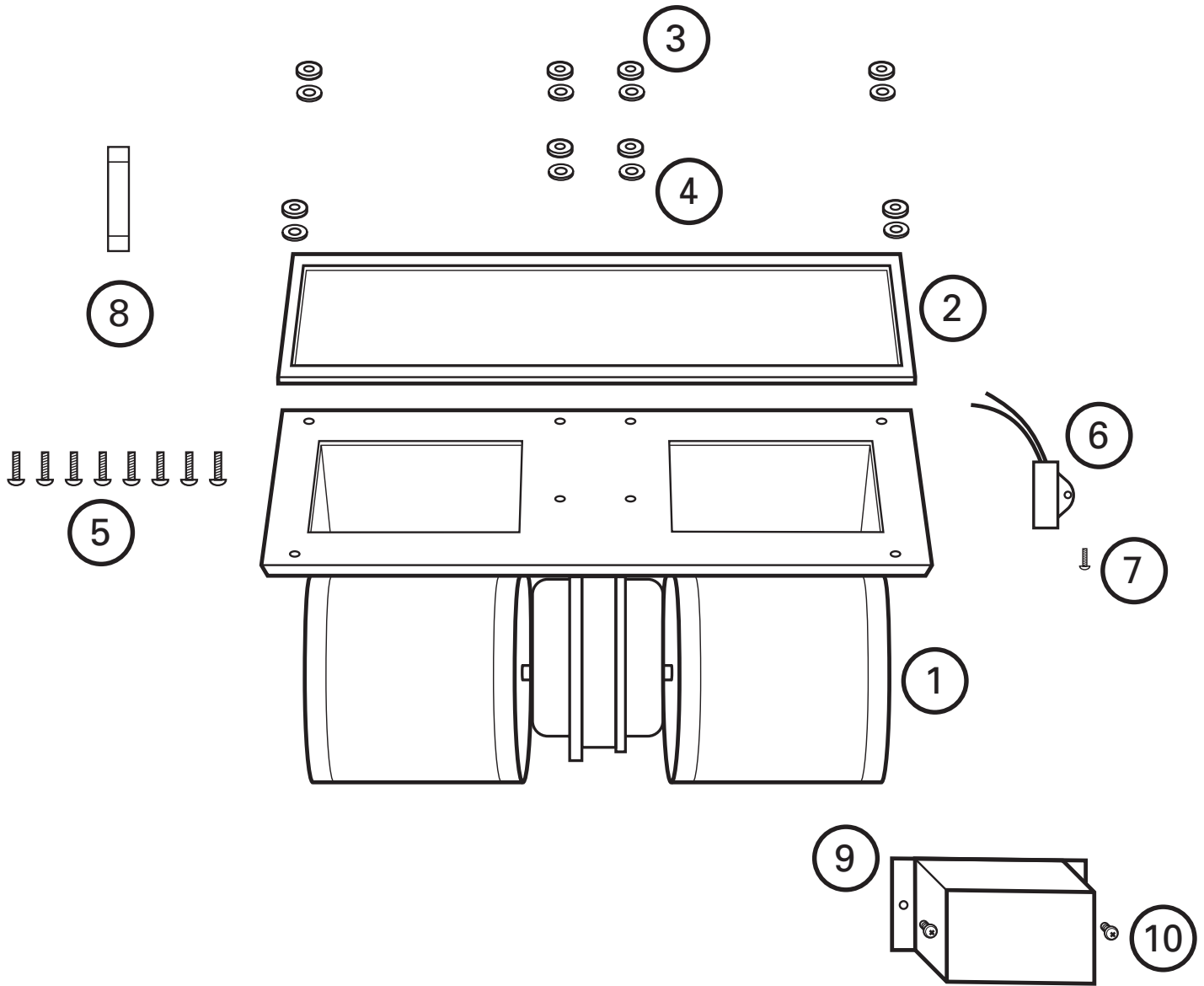
1. Install the included fuse into the electrical panel by turning the fuse cap counter clockwise and pulling out. Insert the included 1/4" x 1-1/4" time delay fuse in the holder and reinstall into the panel (**Figure 6**).



NOTE: If you need to replace the fuse, replace with a 1/4" x 1-1/4" Bussman MDA-3 or equivalent 3 amp, 250V ceramic, time delay fuse only.

2. Refer to the hood instruction manual to complete the installation, for maintenance, and before restoring power.
3. The blower is covered under the range hood's warranty.

REPLACEMENT PARTS DIAGRAM



#	Qty.	Description	Replacement Part #
1	1	Blower Assembly	5S1136063
2	1	Blower Gasket	5S1136100
3	8	Grommet	5S1136101
4	8	Washer	5S1136102
5	8	8-32 Screw	5S1136103
6	1	Capacitor	5S1136104
7	1	Screw	5S1136105
8	1	Fuse	5S1136106
9	1	Capacitor Cover	
10	2	#6 Screws	5S1136129