

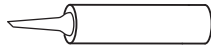
BEFORE YOU BEGIN

- Observe all local plumbing and building codes.
- Follow these instructions only if it apply to your installation.
- Before installation, carefully inspect it for damage. Return the countertop to its packaging until you are ready to install it.
- These instructions contain important care and cleaning instructions. Please review these instructions carefully.

SUGGESTED TOOLS AND MATERIALS



Philips Screwdriver



Silicon Sealant



Tape Measure



Safety Glasses

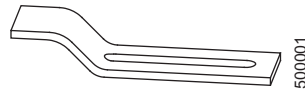
PARTS / HARDWARE INCLUDED



4x



4x



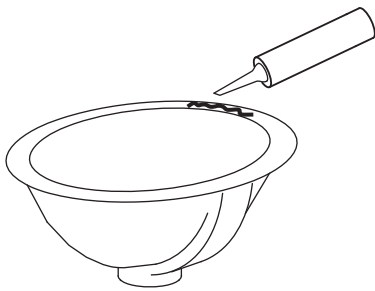
4x

SINK INSTALLATION



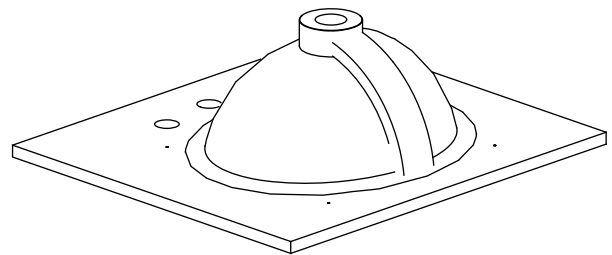
CAUTION! Risk of product damage. Do not use plumbers putty or oil-based sealers with this countertop. These products will stain the surfaces permanently.

1



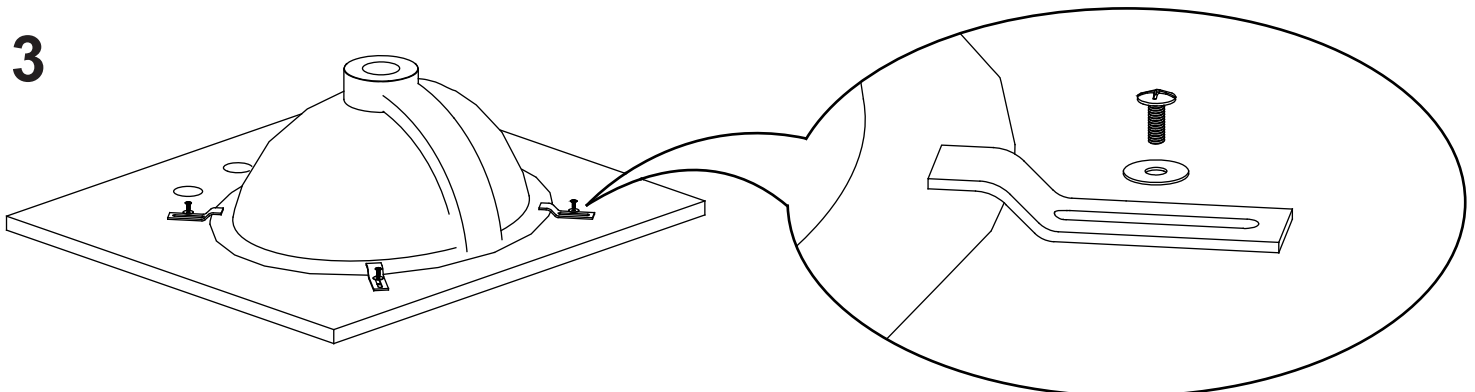
Apply a continuous bead of quality sealant to the top surface (rim) of the sink.

2



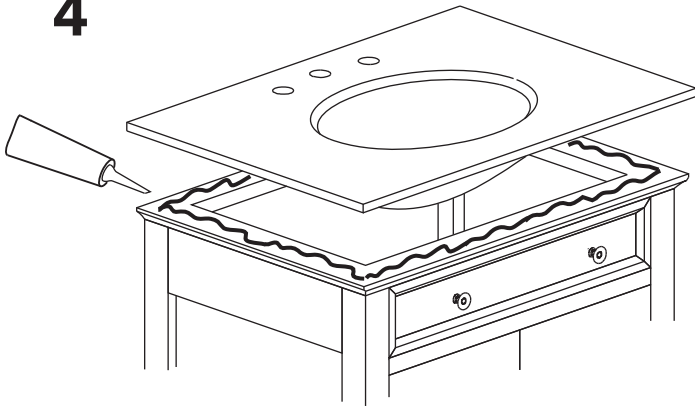
Turn the stone top upside down and place it on a clean, scratch resistant surface. Center the sink over the cutout.

3



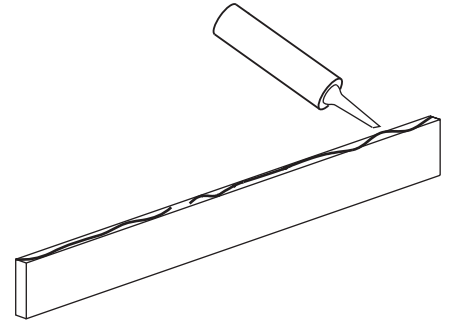
Secure the sink to the top using the mounting kit / hardware provided.

4



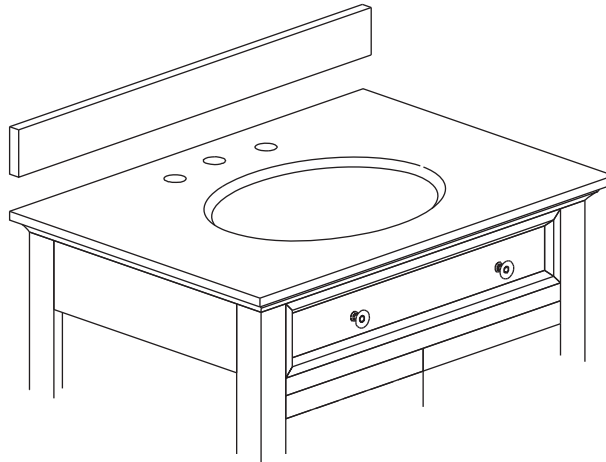
Apply bead of quality sealant evenly along the top of the vanity

5



Apply silicone sealant evenly along the bottom of backsplash and wall

6



Finally, place the bottom side of back splash with sealant onto the countertop and check alignment of backsplash. Adjust the leg levelers as needed

**** NOTE:** Sink style, shape, cutout on top, vanity may vary from the picture above. Instructional purposes only.

CARE AND CLEANING

- Our countertops are factory sealed with a penetrating sealer. We recommend sealing your countertop before it first use with a natural stone sealer. Refer to the instructions on the stone sealer container for proper application.
- Routine cleaning of the countertop will reduce the need for heavy cleaning and polishing.
- Use a a soft cloth after each use to minimize soap scum.
- Never use strong / abrasive cleaners. For general cleaning, use mild soap and water or natural stone cleaners. Do not use abrasive detergents or cleaning pads, which can damage the surface of the stone. Always test your cleaning solution on unnoticeable areas before applying to the entire surface.
- Never let cleaners sit on the surface of the stone for long periods of time.
- Periodically, re-apply the natural stone sealer as warranted by use. Refer to the instructions on the stone sealer container for proper application.