

**SUGGESTED TOOLS AND MATERIALS**



Philips Screwdriver



Level



Drill



Tape Measure



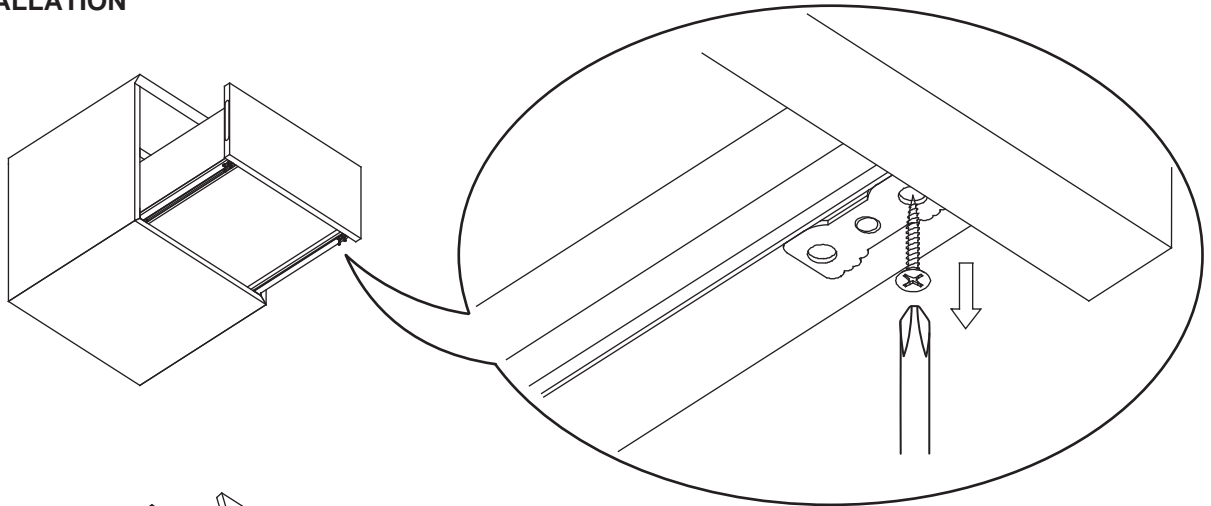
Safety Glasses

**PARTS / HARDWARE INCLUDED**

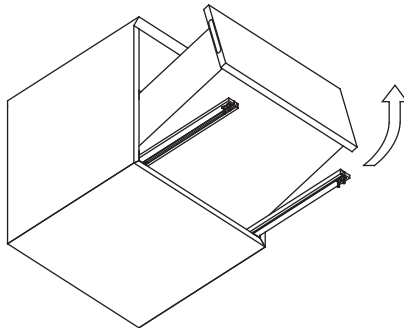


**CABINET INSTALLATION**

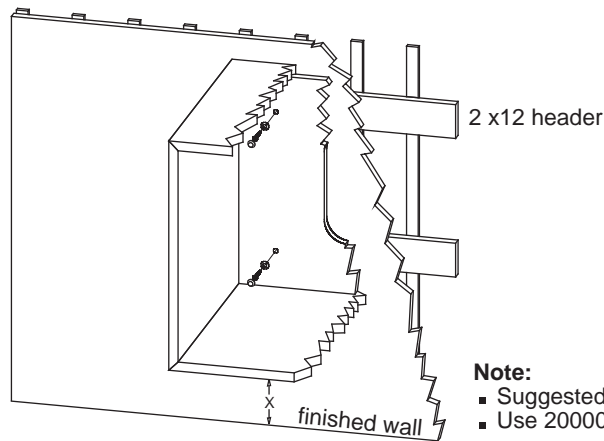
**1**



**2**



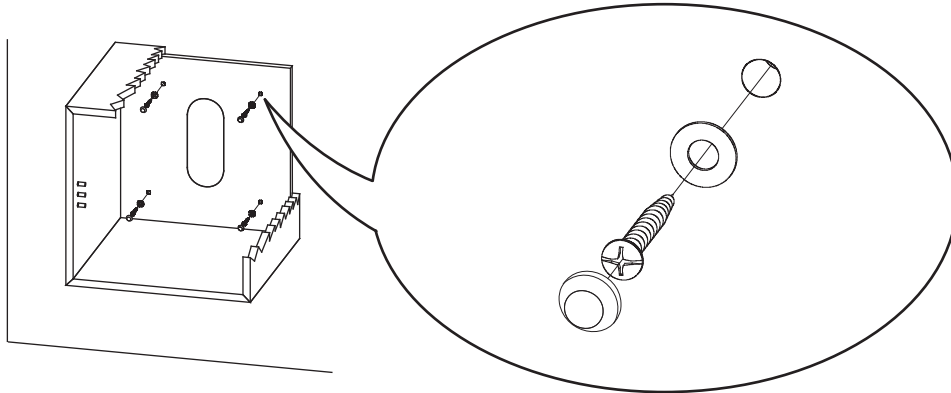
**3a**



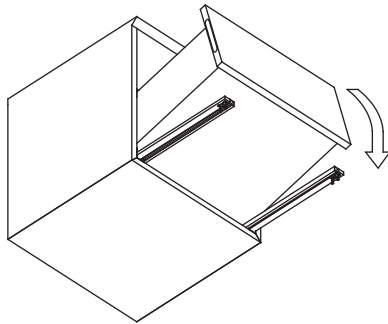
- Note:**
- Suggested X = 11.0"
  - Use 200001 for dry-wall

**CABINET INSTALLATION (PAGE 2)**

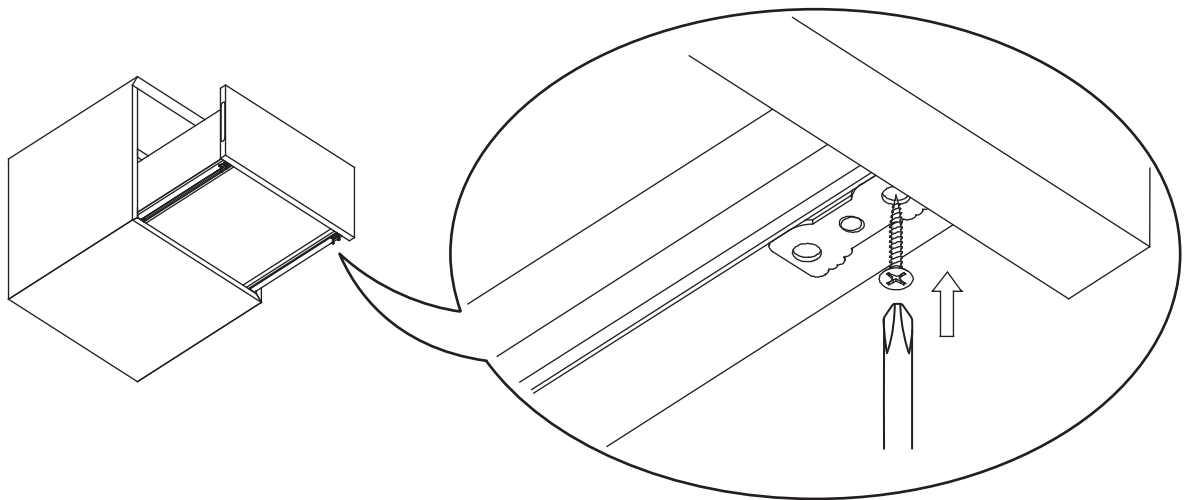
**3b**



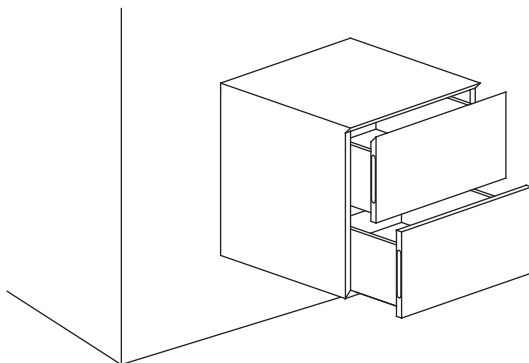
**4**



**5**



**6**



**MULTIPLE UNITS INSTALLATION (PAGE 3)**

**7**

