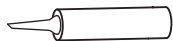


SUGGESTED TOOLS AND MATERIALS



Silicone Sealant



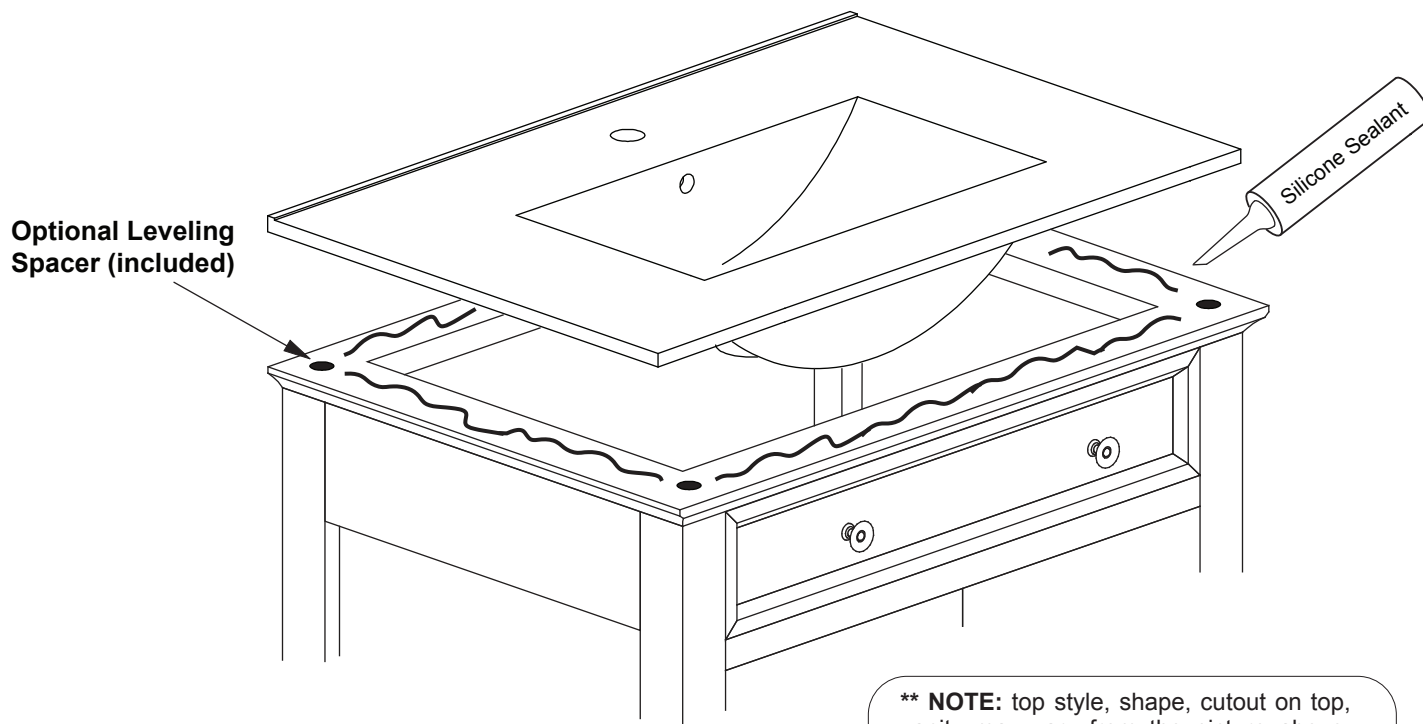
Level



Tape Measure



Safety Glasses



**** NOTE:** top style, shape, cutout on top, vanity may vary from the picture above. Instructional purposes only.

VANITY TOP INSTALLATIONS

1. Install the cabinet / vanity according to the cabinet / vanity manufacturer
2. Check to make sure the vanity top sits level on top of the vanity
3. If all four corners of the vanity top do not sit flush on the vanity, use the optional leveling spacers (included) to help level the vanity top
4. Apply silicone sealant to the top of cabinet / vanity as shown above
5. Install faucet and drain assembly per the manufacturers' instructions

CARE AND CLEANING

For best results in caring for your vitreous china top, we suggest:

- Always wipe off spills immediately.
- Never use strong / abrasive cleaner. Always test your cleaning solution on unnoticeable areas before applying to the entire surface.
- Wipe surfaces clean, immediately after applying cleaner.
- Do not allow cleaner to sit or soak. Never let cleaners sit on the surface of the vitreous china for long periods of time.
- Use a soft, dampened sponge and cloth. Never use an abrasive material such as brush or scouring pad to clean surfaces. They will scratch the surface of the vitreous china top and lavatory.
- Always rinse and wipe clean the fixtures to prevent soap buildup.