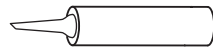


SUGGESTED TOOLS AND MATERIALS



Sealant



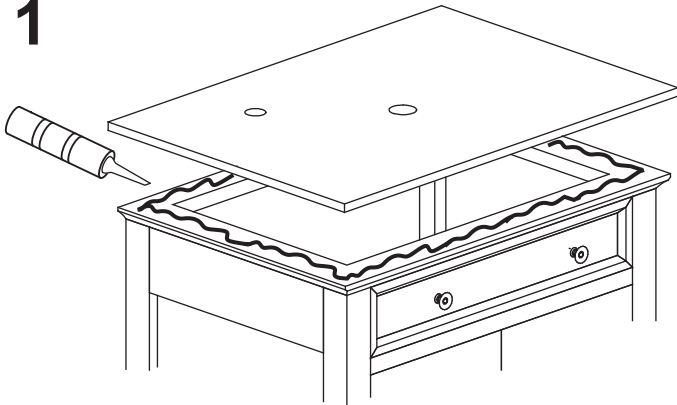
Tape Measure



Safety Glasses

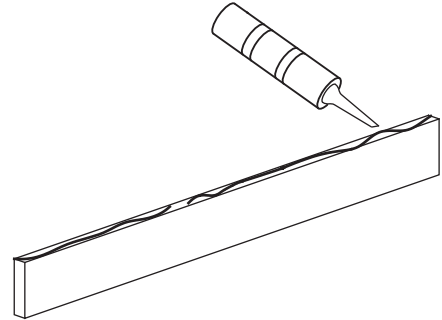
VESSEL TOP INSTALLATION

1



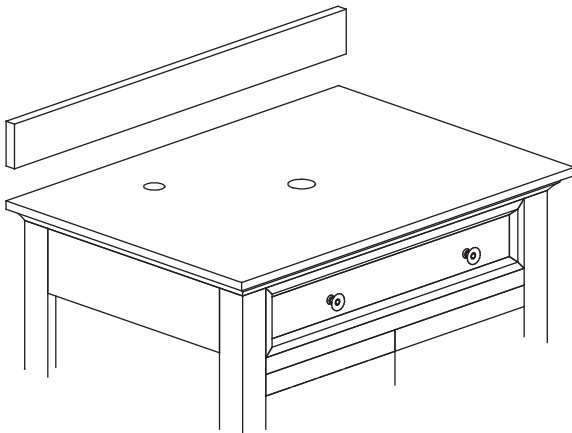
Apply bead of quality sealant evenly along the top of the vanity

2



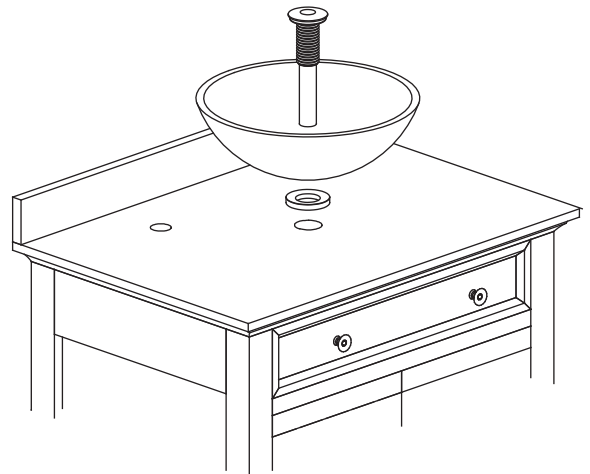
Apply silicone sealant evenly along the bottom of backsplash and wall

3



Place the bottom side of back splash with sealant onto the countertop and check alignment of backsplash. Adjust the leg levelers as needed

4



Carefully, install the vessel sink, mounting ring and drain. See manufacturers instructions

**** NOTE:** Sink style, shape, cutout on top, vanity may vary from the picture above. Instructional purposes only

CARE AND CLEANING

For best results in caring for your Reflex glass top, we suggest:

- Always wipe off spills immediately.
- Never use strong / abrasive cleaner. Always test your cleaning solution on unnoticeable areas before applying to the entire surface.
- Wipe surfaces clean, immediately after applying cleaner.
- Do not allow cleaner to sit or soak. Never let cleaners sit on the surface of the glass for long periods of time.
- Use a soft, dampened sponge and cloth. Never use an abrasive material such as brush or scouring pad to clean surfaces. They will scratch the surface of the glass top and lavatory.
- Always rinse and wipe clean the fixtures to prevent soap buildup.