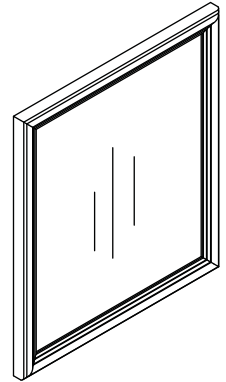


THANK YOU FOR CHOOSING XYLEM

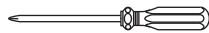
Thank you for choosing Xylem products. It is our intention at Xylem Group to provide you with the finest products at the best prices. We know that your Xylem selection was one which you carefully made and we want to ensure that your experience with our products and our company meets your expectations.

We have provided the information contained in our instructions guide so that your Xylem product can be easily installed for years of enjoyment. Please review it carefully or have your installer review it. Please note that we reserve the right to change product specifications, availability and product characteristics at any time.

If you or your installer need any further information regarding this or any Xylem product please call us at 866 395 8112, fax us at 866 395 8113 or email us at info@xylem.biz. Thanks for your patronage! We appreciate you choosing our Xylem Group products!



SUGGESTED TOOLS AND MATERIALS



Philips Screwdriver



Level



Drill



Tape Measure



Safety Glasses

CODES / STANDARDS APPLICABLE

This product meets or exceeds The California AirResources Board (CARB) standard for Airborne Toxic Control Measure (ATCM).

**CALIFORNIA 93120
COMPLIANT FOR
FORMALDEHYDE**

FAQ:

Q: What is the California formaldehyde regulation?

A: Starting Jan 1, 2009, the California Air Resources Board (CARB) will implement new limits for formaldehyde emitted from composite wood products. This CA regulation governs the formaldehyde in raw composite wood panels and finished products sold or used in California.

Q: Why is California regulating formaldehyde emissions from composite wood products?

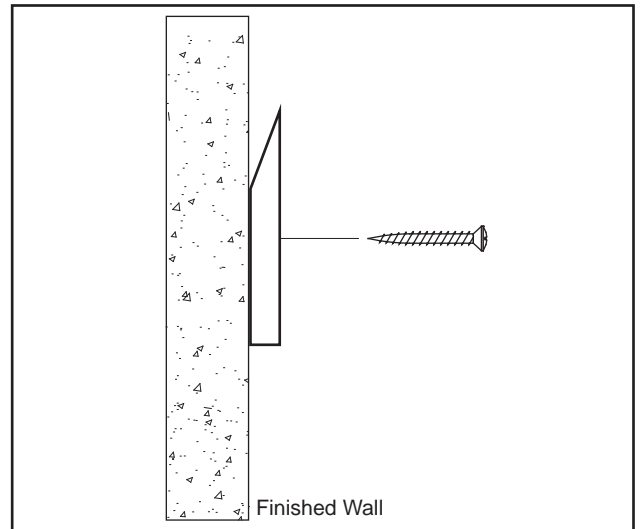
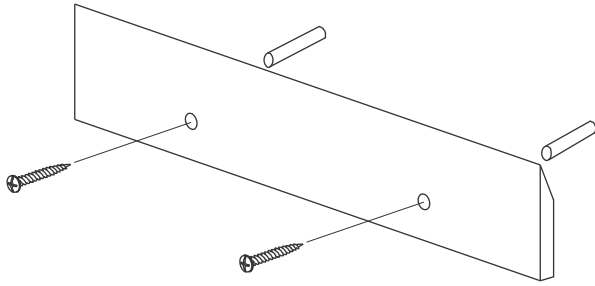
A: CARB's mission is to ensure the best possible air quality for the citizens of California. To achieve that mission, CARB continuously monitors sources of air pollution in the state and acts to reduce emissions whenever possible.

Q: Do the new standards apply only to products sold in CA?

A: Yes, the CA regulation applies only to products offered for sale or use in CA. However, a number of other states are already considering adopting the CA regulation.

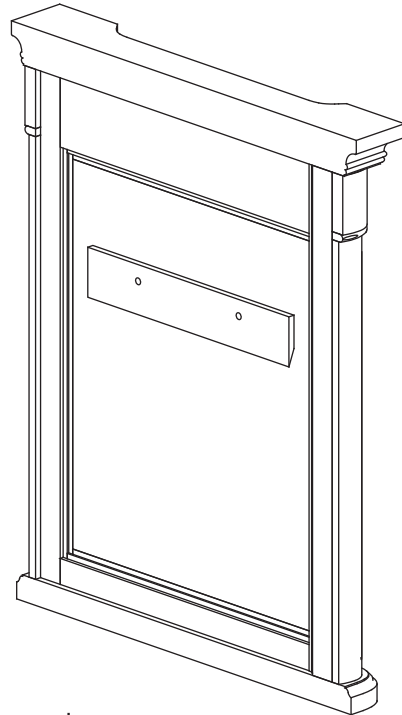
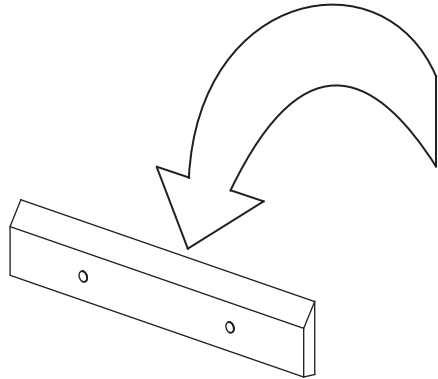
INSTALLATION INSTRUCTIONS

1



Install mirror hanger onto the wall

2



NOTE: Mirror may vary from the picture above. Instructional purposes only.

CARE AND CLEANING

For best results, keep the following in mind when caring for your XYLEM product:

- To maintain the beauty of the finish, avoid placing the furniture in direct sunlight, as sunlight causes fading. Also avoid extreme changes in temperature by arranging furniture away from radiators, heat and air vents, and air conditioning units. Avoid placing furniture directly under windows.
- Dust the vanity frequently with a clean, soft, dry, lint-free cloth, as well as polish it on a regular basis. Clean the surface by rubbing in the direction of the grain. Avoid using silicone cleaners and waxes.
- Clean up excess water and spills immediately. Use blotting rather than a wiping action. Water left over a long period of time will cause white spots in the finish. Please note that some chemicals may damage the finish.
- Clean the mirror using a soft, slightly damp cloth. When cleaning the mirror, spray the mirror with a glass cleaner and wipe clean.