

### SUGGESTED TOOLS AND MATERIALS



Philips Screwdriver



Level



Drill

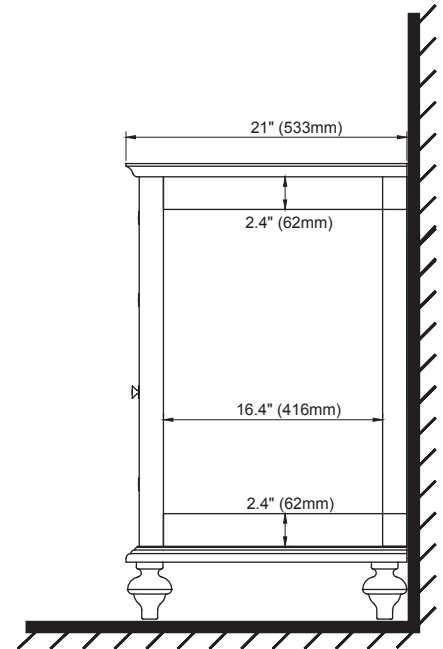
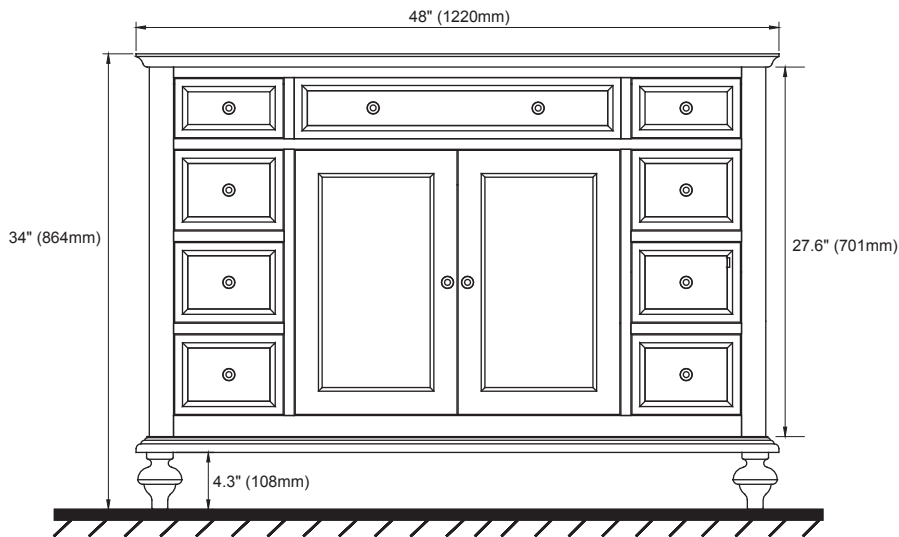


Tape Measure



Safety Glasses

### ROUGHING IN



### CARE AND CLEANING OF VANITY

Dust the vanity frequently with a clean, soft, dry, lint-free cloth, as well as polish it on a regular basis. Clean the surface by rubbing in the direction of the grain. Avoid using silicone cleaners and waxes.

Clean up excess water and spills immediately. Use blotting rather than a wiping action. Water left over a long period of time will cause white spots in the finish. Please note that some chemicals may damage the finish.