

SUGGESTED TOOLS AND MATERIALS



Philips Screwdriver



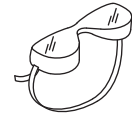
Level



Drill



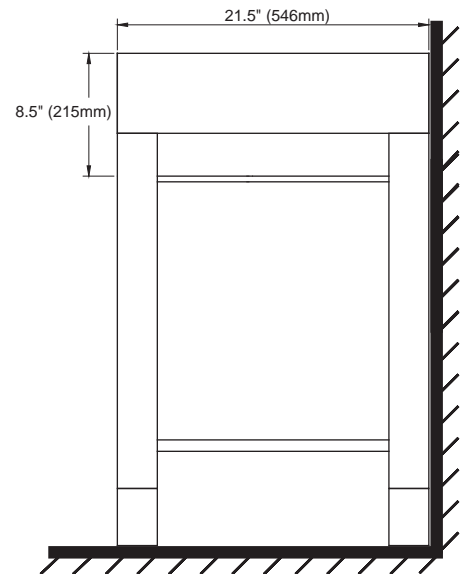
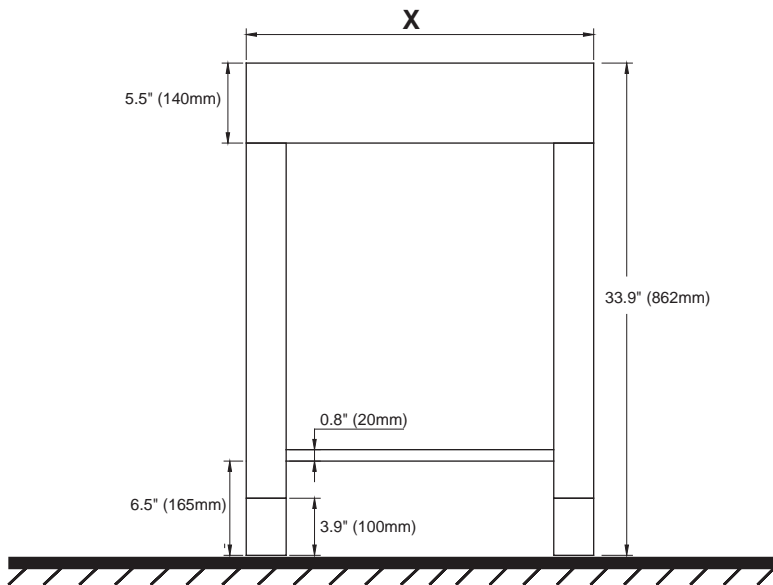
Tape Measure

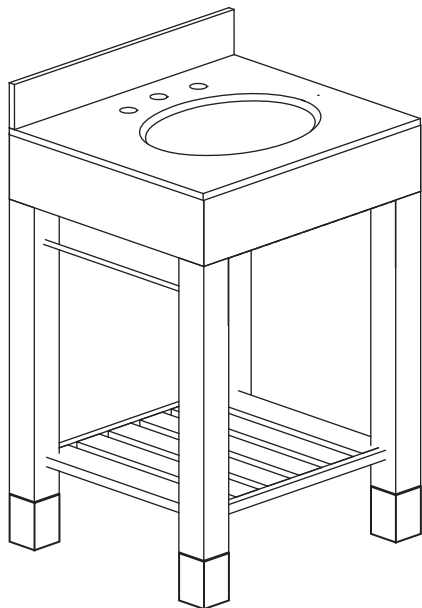


Safety Glasses

ROUGHING-IN

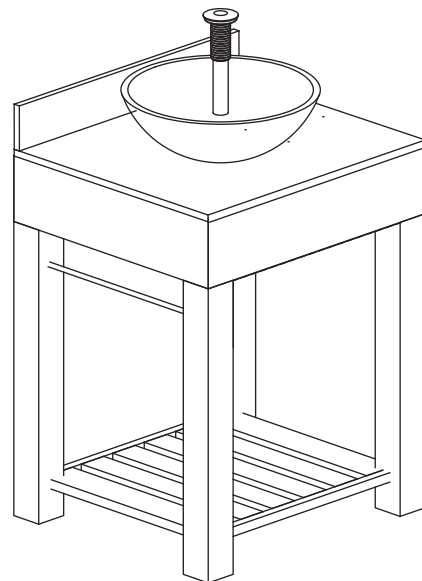
Model #	X
V-EUROPA-24DK	24"
V-EUROPA-30DK	30"
V-EUROPA-36DK	36"
V-EUROPA-48DK	48"





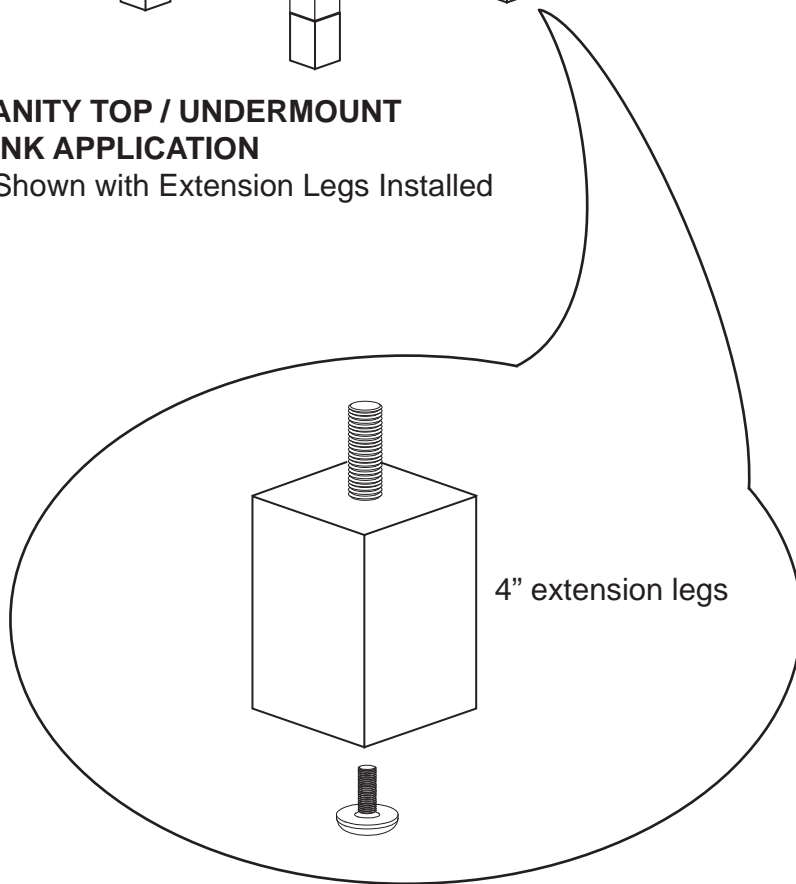
VANITY TOP / UNDERMOUNT SINK APPLICATION

* Shown with Extension Legs Installed



VESSEL SINK APPLICATION

* Shown with Extension Legs Removed



4" extension legs

INSTALLATION INSTRUCTIONS

- Position the vanity against the finished wall. If necessary, turn the leg levelers to achieve level.
- The vanity legs are removable per your installation needs.
- Mark the supply and drain locations on the inside of the vanity back wall.
- Move the vanity away from the wall and cut the marked supply and drain locations from inside.
- Position the vanity against the wall, aligning the supply and drain locations with the cut holes.
- Install the countertop, sink, drain and faucet according to the manufacturer's instructions.

CARE AND CLEANING OF VANITY

Dust the vanity frequently with a clean, soft, dry, lint-free cloth, as well as polish it on a regular basis. Clean the surface by rubbing in the direction of the grain. Avoid using silicone cleaners and waxes.

Clean up excess water and spills immediately. Use blotting rather than a wiping action. Water left over a long period of time will cause white spots in the finish. Please note that some chemicals may damage the finish.