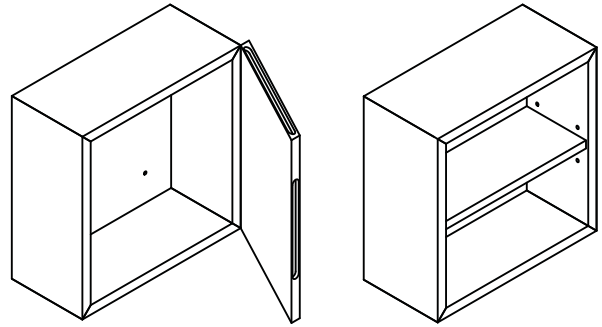


THANK YOU FOR CHOOSING XYLEM

Please take a few minutes to review this manual before you start installation. If you encounter any installation problems, please don't hesitate to contact us. Before you begin, please observe all local building codes. Unpack the new product and inspect for damage. The appearance of your vanity may differ from the illustrations in this guide. This instructions still apply. Please ensure the finished wall is straight and plumb and the floor is flat and perpendicular to the finished wall.



SUGGESTED TOOLS AND MATERIALS



Philips Screwdriver



Level



Drill

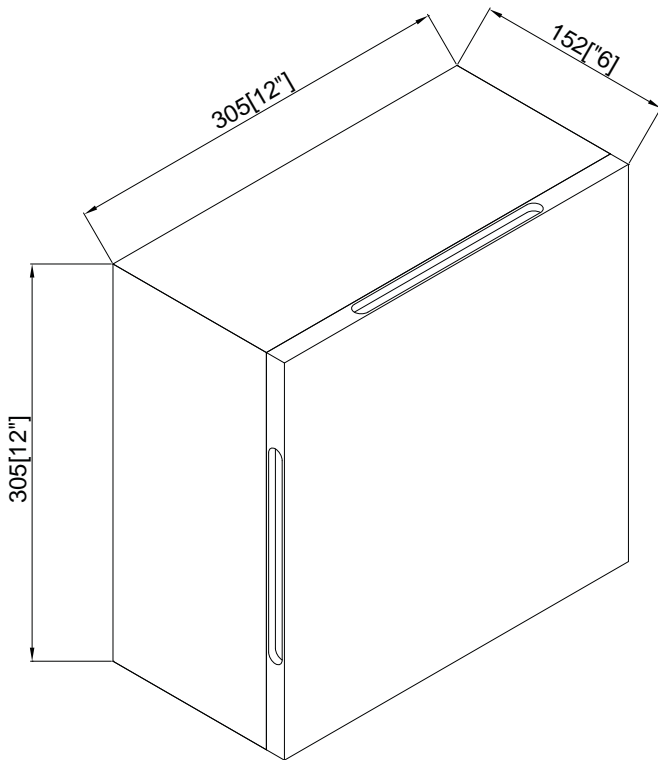


Tape Measure

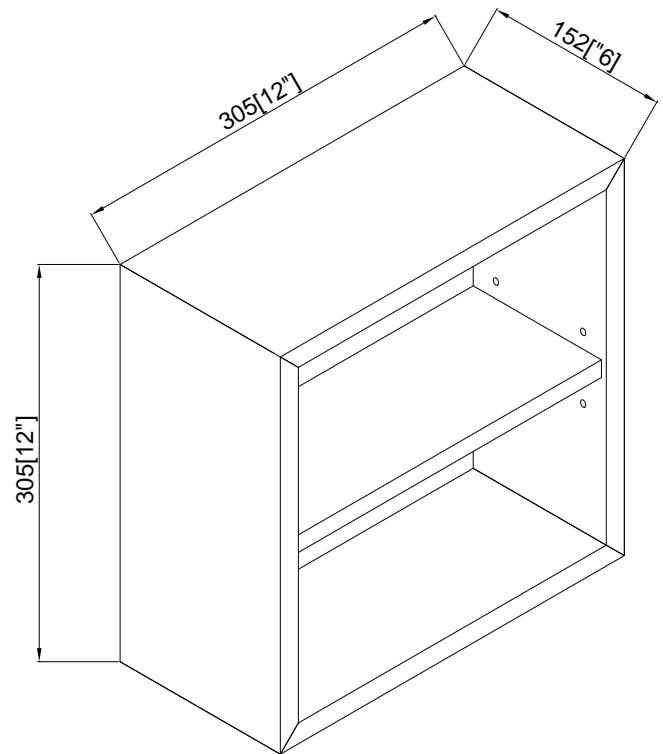


Safety Glasses

ROUGH-IN DIMENSIONS

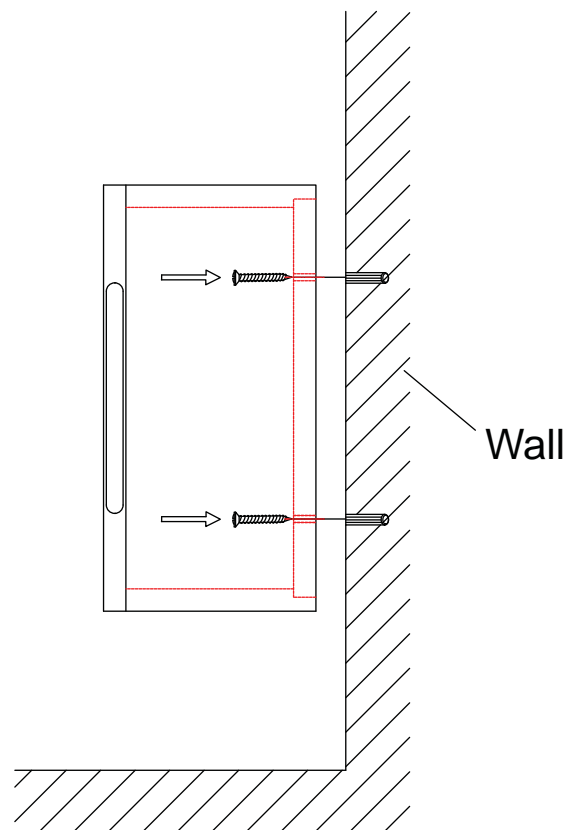
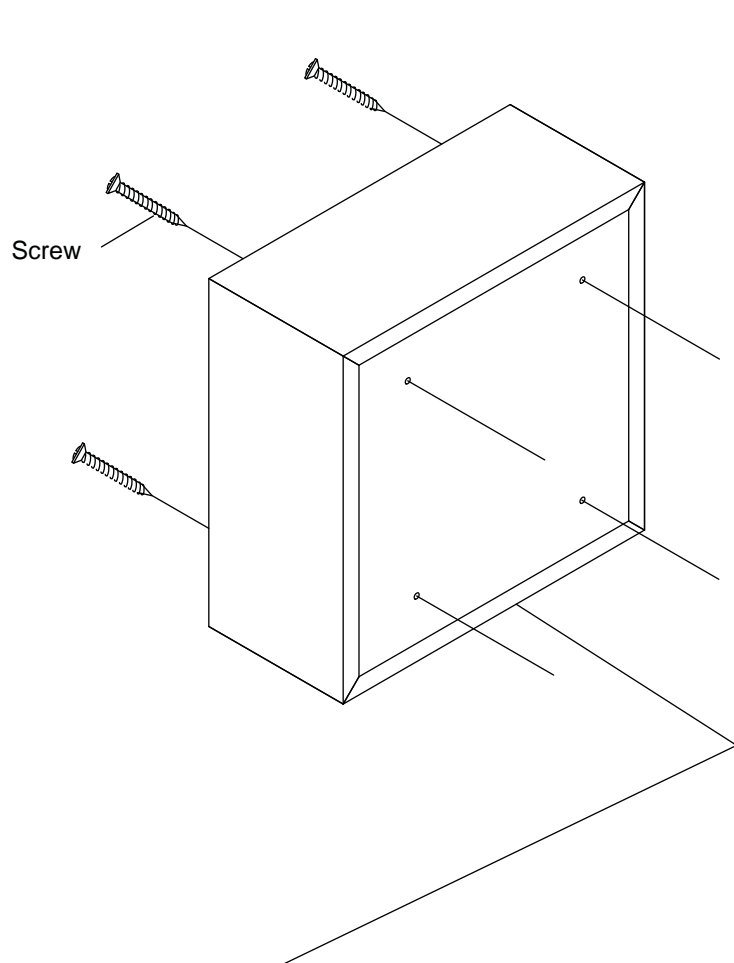


MI-BLOX-DO12DW



MI-BLOX-OP12DW

INSTALLATION INSTRUCTIONS



CARE AND CLEANING

- To maintain the beauty of the finish, avoid placing the furniture in direct sunlight, as sunlight causes fading. Also avoid extreme changes in temperature by arranging furniture away from radiators, heat and air vents, and air conditioning units. Avoid placing furniture directly under windows.
- Clean the mirror using a soft, slightly damp cloth. When cleaning the mirror, spray the mirror with a glass cleaner and wipe clean.