

# Model 65 Hamilton

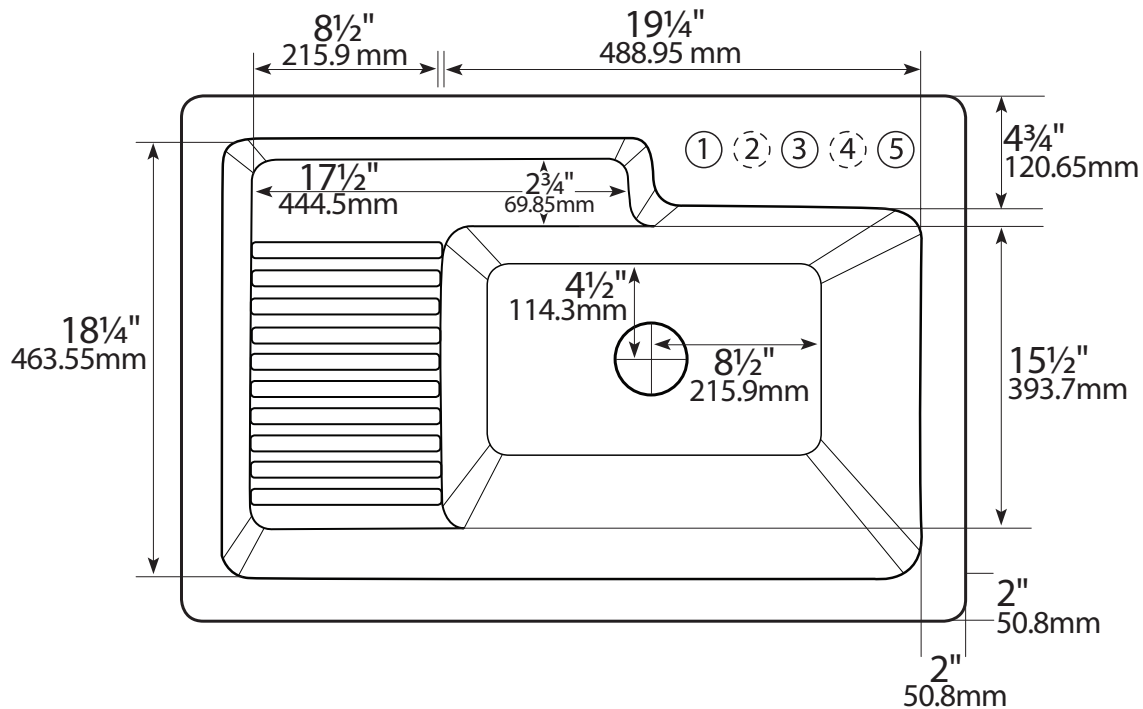
## Advantage 3.2 Series



- Laundry Sink
- Self-Rim
- 1, 2, & 3 Hole
- Built-in Drainboard and Shelf

**33" x 22" x 11½"**  
**838.2mm x 558.8mm x 292.1mm**

Cutout dimensions: 31" x 20" with 1" radius corners.



### Standard Faucet Hole Placements

- 1 Hole - #3
- 3 Hole 4" Spread - #s 2, 3, & 4
- 3 Hole 8" Spread - #s 1, 3, & 5
- \*Must specify 2 hole placement**

### How to Order

Model	Center	Color	Description	Hole Pattern Drilled
65	1	44	Hamilton, 1 hole, Black	3
65	3 - 4	44	Hamilton, 3 hole 4" spread, Black	2, 3, & 4
65	3 - 8	44	Hamilton, 3 hole 8" spread, Black	1, 3, & 5

Drains not included.



Certified by: National Association of Homebuilders (NAHB) Research Center and CSA International

Meets or Exceeds:

CSA B45.0-02 ANSI Z 124.3 - 2005  
CSA B45.5-02 ANSI Z 124.6 - 2007

All designs and specifications subject to change without notice

All dimensions are ± 1/4" (6.35 mm)

United States Patents US437,035, US441,853, US442,679, US453,554, US457,944 and other Patents Pending may apply.

900051 © 2009 CorStone, Inc.