

## Model 34 Narragansett

### Optimum 5.0 Series

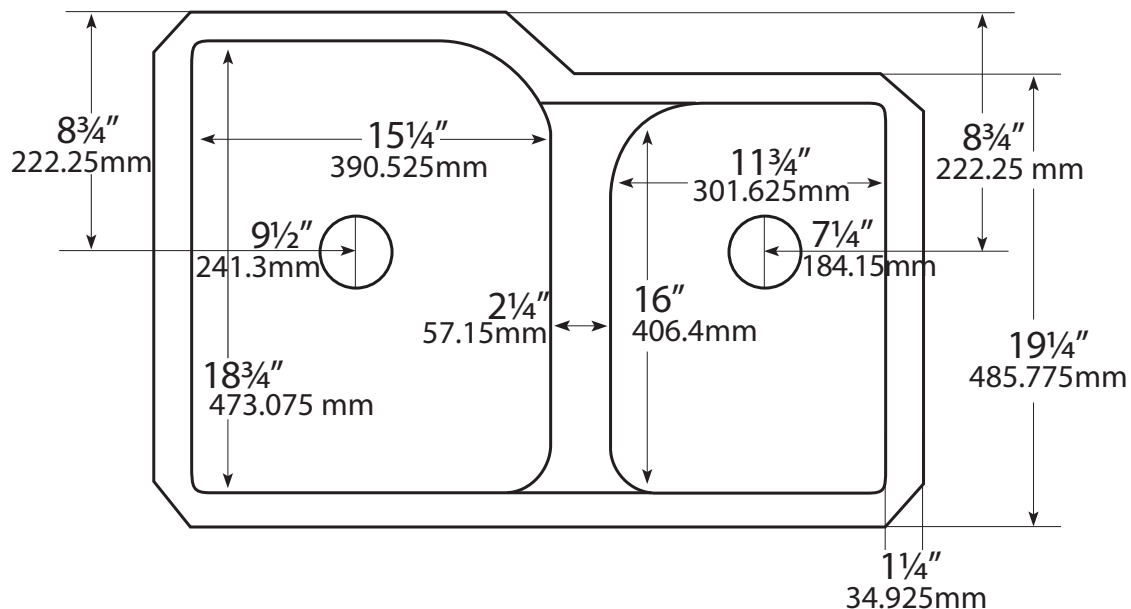


- Double Bowl Kitchen
- Undermount
- Includes Mounting Clips and Template
- Requires Deck Mount Faucet

**32¼" x 21½" x 9"**

**819.15mm x 546.1mm x 228.6mm**

Cutout dimensions: Due to variations in desired reveal, it is highly recommended that the actual sink be provided to the countertop fabricator prior to making any cuts.



Drains not included.



Certified by: National Association of Homebuilders  
 (NAHB) Research Center and CSA International

Meets or Exceeds:

CSA B45.0-02 ANSI Z 124.3 - 1995  
 CSA B45.5-02 ANSI Z 124.6 - 1997

All designs and specifications  
 subject to change without notice  
 All dimensions are ± 1/4" (6.35 mm)

United States Patents US437,035, US441,853, US442,679, US453,554, US457,944 and other Patents Pending may apply.

900051 © 2009 CorStone, Inc.