

Model 31 Harmony

Advantage 3.2 Series

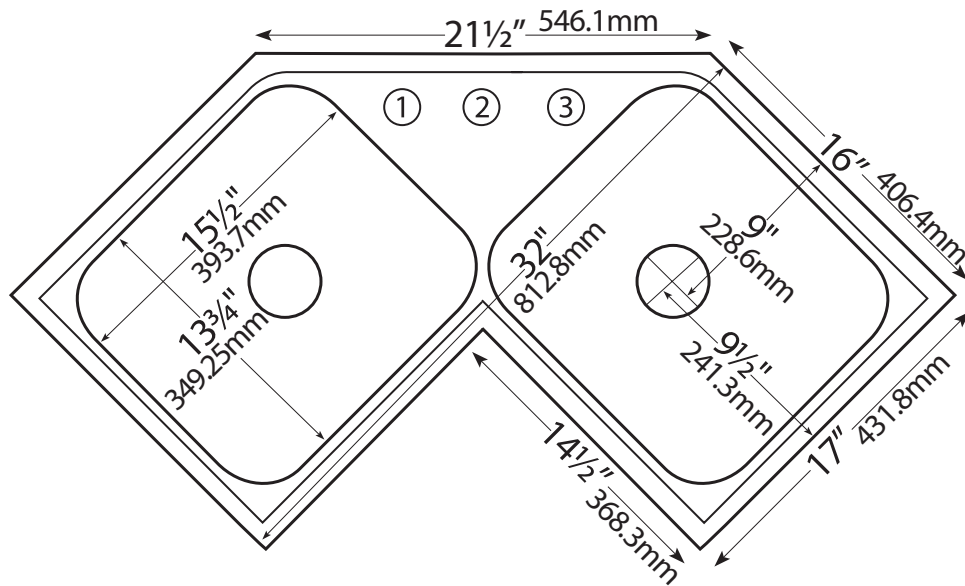


- Double Bowl Kitchen
- Self-Rim
- 1, 2, & 3 Hole
- Corner Sink

32" x 32" x 7 1/2"

812.8mm x 812.8mm x 190.5mm

Cutout dimensions: Use sink upside down as template and cut 1" inside sink line.



**Standard Faucet
Hole Placements**

1 Hole - #2

3 Hole - #s 1, 2, & 3

***Must specify 2 hole
placement**

Drains not included.



Certified by: National Association of Homebuilders
(NAHB) Research Center and CSA International

Meets or Exceeds:

CSA B45.0-02 ANSI Z 124.3 - 1995

CSA B45.5-02 ANSI Z 124.6 - 1997

All designs and specifications
subject to change without notice

All dimensions are $\pm 1/4"$ (6.35 mm)

United States Patents US437,035, US441,853, US442,679, US453,554, US457,944 and other Patents Pending may apply.

900051 © 2009 CorStone, Inc.