

# Model 20 Barrington

## Advantage 3.2 Series

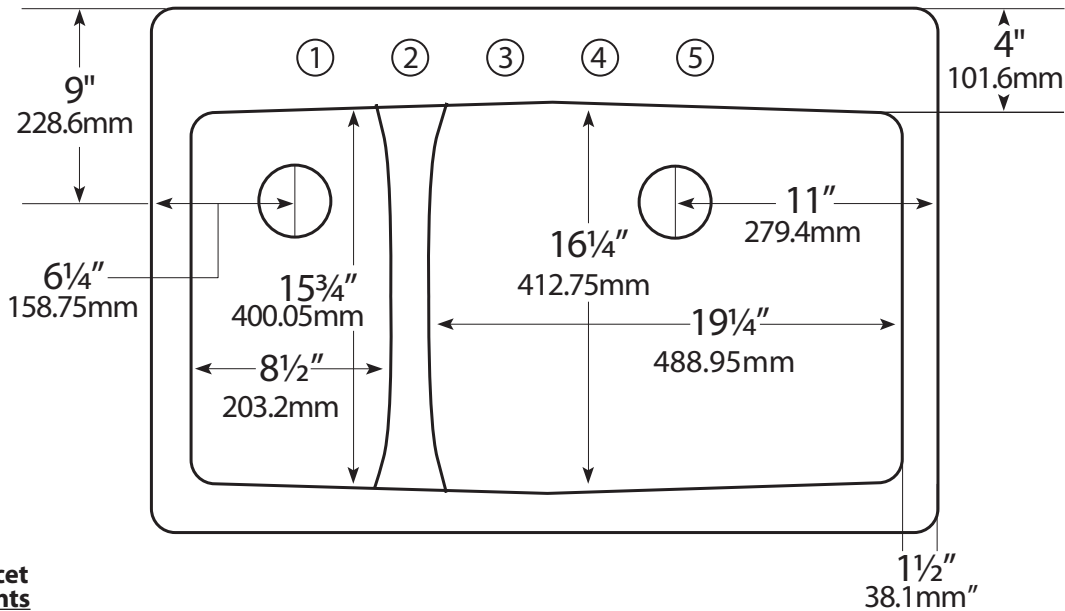


- Double Bowl Kitchen
- Self-Rim
- 1, 2, 3, 4, & 5 Hole
- Hi-Lo

**33" x 22" x 9.5" x 6.5"**

**838.2mm x 558.8mm x 241.3mm x 165.1mm**

Cutout dimensions: 31" x 20" with 1" radius corners.



### Standard Faucet Hole Placements

- 1 Hole - #2
- 3 Hole - #s 1, 2, & 3
- 4 Hole - #s 2, 3, 4 & 5
- 5 Hole - #s 1, 2, 3, 4 & 5

**\*Must specify 2 hole placement**

Drains not included.



Certified by: National Association of Homebuilders (NAHB) Research Center and CSA International

Meets or Exceeds:

CSA B45.0-02 ANSI Z 124.3 - 1995  
CSA B45.5-02 ANSI Z 124.6 - 1997

All designs and specifications subject to change without notice  
All dimensions are  $\pm 1/4"$  (6.35 mm)

United States Patents US437,035, US441,853, US442,679, US453,554, US457,944 and other Patents Pending may apply.

900051 © 2009 CorStone, Inc.