

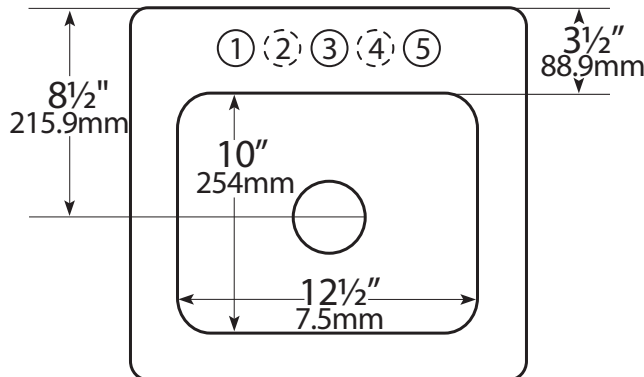
Model 14 Berkeley

Advantage 3.2 Series



- Social/Prep Sink
- Self-Rim
- 1, 2, & 3 Hole
- 4" or 8" Centers

16½" x 15½" x 7"
419.1mm x 393.7mm x 177.8mm
Cutout dimensions: 14½" x 13½"
with 1" radius corners.



Standard Faucet Hole Placements

- 1 Hole - #3
- 2 Hole - #s 2 & 4
- 3 Hole 4" Spread - #s 2, 3, & 4
- 3 Hole 8" Spread - #s 1, 3, & 5

How to Order

Model	Center	Color	Description	Hole Pattern Drilled
14	1	44	Berkeley, 1 hole, Black	3
14	2	44	Berkeley, 2 hole 4" spread, Black	2 & 4
14	3 - 4	44	Berkeley, 3 hole 4" spread, Black	2, 3, & 4
14	3 - 8	44	Berkeley, 3 hole 8" spread, Black	1, 3, & 5

Drains not included.



Certified by: National Association of Homebuilders
(NAHB) Research Center and CSA International

Meets or Exceeds:

CSA B45.0-02 ANSI Z 124.3 - 1995
CSA B45.5-02 ANSI Z 124.6 - 1997

All designs and specifications
subject to change without notice
All dimensions are ± 1/4" (6.35 mm)

United States Patents US437,035, US441,853, US442,679, US453,554, US457,944 and other Patents Pending may apply.

900051 © 2009 CorStone, Inc.