

# Model 12 Westerly

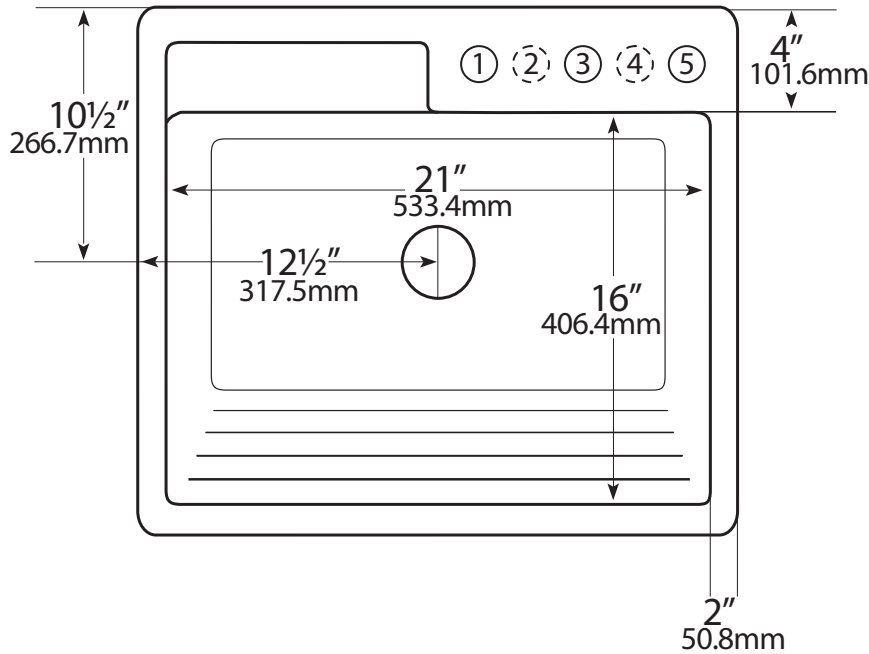
## Advantage 3.2 Series



- Laundry Sink with Washboard
- Self-Rim
- 1, 2, & 3 Hole

**25" x 22" x 12"**  
**635mm x 558.8mm x 304.8mm**

Cutout dimensions: 23" x 20" with 1" radius corners.



### Standard Faucet Hole Placements

- 1 Hole - #1
- 3 Hole 4" Spread - #s 2, 3, & 4
- 3 Hole 8" Spread - #s 1, 3, & 5

**\*Must specify 2 hole placement**

### How to Order

| Model | Center | Color | Description                       | Hole Pattern Drilled |
|-------|--------|-------|-----------------------------------|----------------------|
| 12    | 1      | 44    | Westerly, 1 hole, Black           | 3                    |
| 12    | 3 - 4  | 44    | Westerly, 3 hole 4" spread, Black | 2, 3, & 4            |
| 12    | 3 - 8  | 44    | Westerly, 3 hole 8" spread, Black | 1, 3, & 5            |

Drains not included.



Certified by: National Association of Homebuilders (NAHB) Research Center and CSA International

Meets or Exceeds:

CSA B45.0-02 ANSI Z 124.3 - 1995

CSA B45.5-02 ANSI Z 124.6 - 1997

All designs and specifications subject to change without notice

All dimensions are  $\pm 1/4"$  (6.35 mm)

United States Patents US437,035, US441,853, US442,679, US453,554, US457,944 and other Patents Pending may apply.

900051 © 2009 CorStone, Inc.