

Model II Quidnick

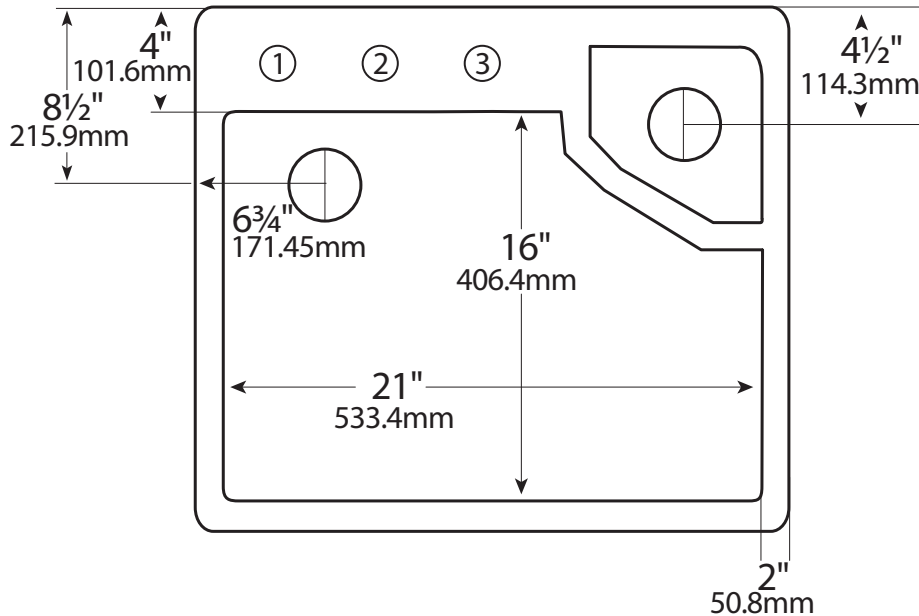
Advantage 3.2 Series



- Single Bowl Kitchen
- Self-Rim
- 1, 2, & 3 Hole
- Disposal Chamber

25" x 22" x 9"
635mm x 558.8mm x 228.6mm

Cutout dimensions: 23" x 20" with 1" radius corners.



Standard Faucet Hole Placements

- 1 Hole - #2
- 3 Hole - #s 1, 2, & 3
- *Must specify 2 hole placement**

Drains not included.



Certified by: National Association of Homebuilders (NAHB) Research Center and CSA International

Meets or Exceeds:

CSA B45.0-02 ANSI Z 124.3 - 1995
CSA B45.0-02 ANSI Z 124.6 - 1997

All designs and specifications subject to change without notice
All dimensions are $\pm 1/4"$ (6.35 mm)

United States Patents US437,035, US441,853, US442,679, US453,554, US457,944 and other Patents Pending may apply.

900051 © 2009 CorStone, Inc.