

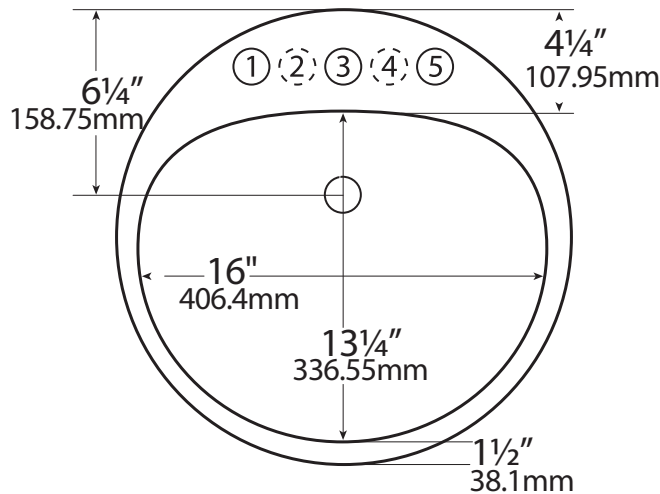
Model 90 Anderson Advantage 3.2 Series



- Bath Lavatory
- Self-Rim
- Round
- 4" or 8" Spread
- Overflow Hole

19" Round x 7" Deep
482.6mm x 177.8mm

Cutout dimensions: 17" round.



Drains not included.



Certified by: National Association of Homebuilders
 (NAHB) Research Center and CSA International

Meets or Exceeds:

CSA B45.0-02 ANSI Z 124.3 - 1995
 CSA B45.5-02 ANSI Z 124.6 - 1997

All designs and specifications
 subject to change without notice
 All dimensions are $\pm 1/4"$ (6.35 mm)

United States Patents US437,035, US441,853, US442,679, US453,554, US457,944 and other Patents Pending may apply.

900051 © 2009 CorStone, Inc.