

## Model 68 Shoreham

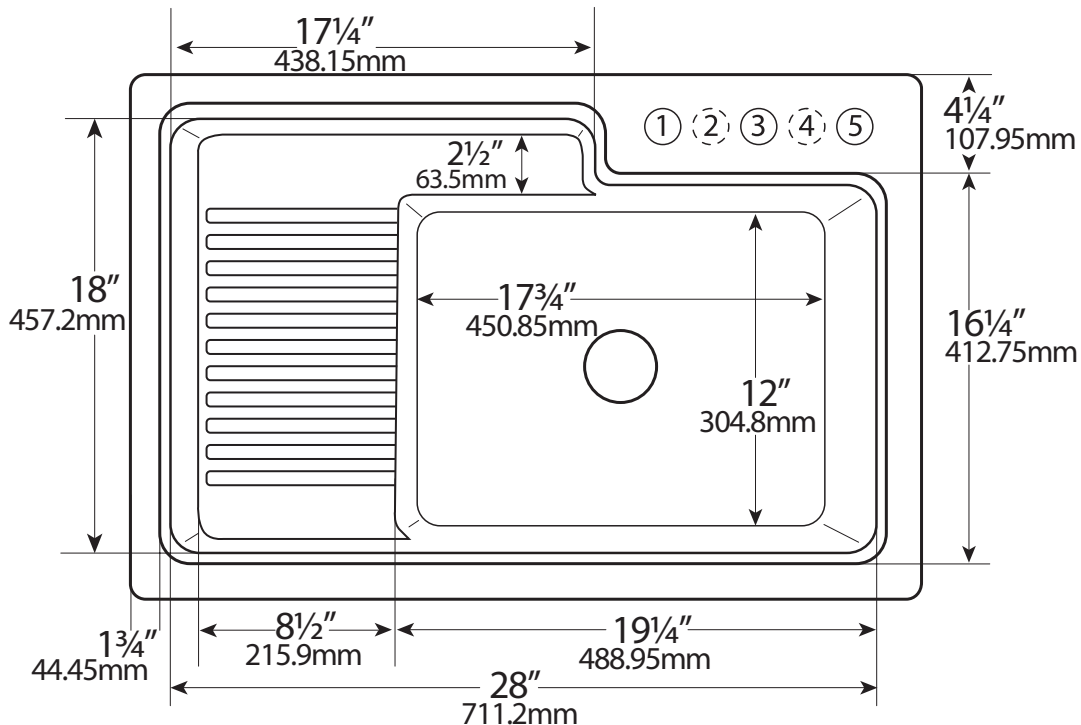
### Advantage 3.2 Series



- Single Bowl Kitchen
- Self-Rim
- 1, 2, 3, 4 & 5 Hole
- Built-in Drainboard and Shelf

**33" x 22" x 10"**  
**838.2 mm x 558.8mm x 254mm**

Cutout dimensions: 31" x 20" with 1" radius corners.



Drains not included.



Certified by: National Association of Homebuilders  
 (NAHB) Research Center and CSA International

Meets or Exceeds:

CSA B45.0-02 ANSI Z 124.3 - 1995  
 CSA B45.0-02 ANSI Z 124.6 - 1997

All designs and specifications  
 subject to change without notice  
 All dimensions are  $\pm 1/4"$  (6.35 mm)

United States Patents US437,035, US441,853, US442,679, US453,554, US457,944 and other Patents Pending may apply.

900051 © 2009 CorStone, Inc.