

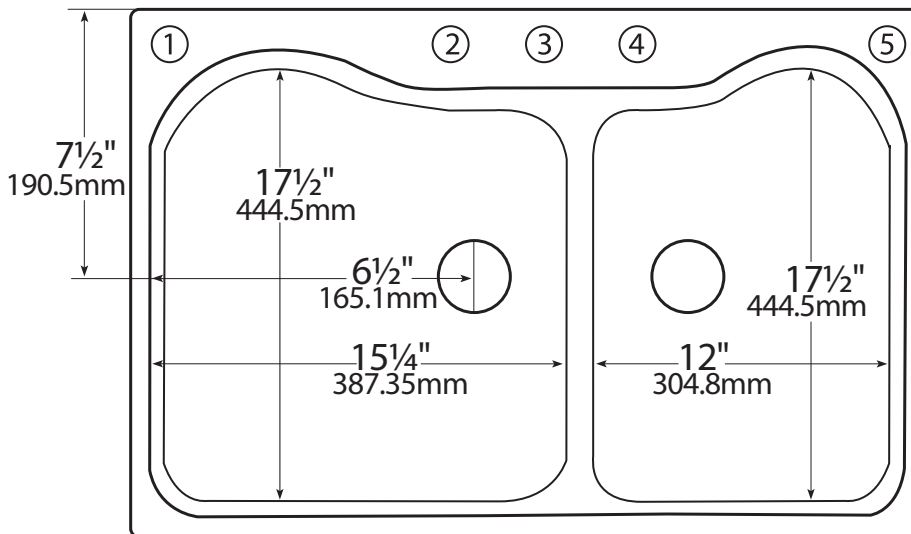
Model 51 Warwick Advantage 3.2 Series



- Double Bowl Kitchen Sink
- Self-Rim
- 1, 2, 3, 4, & 5 Hole
- 60/40 with Contoured Bowl

33" x 22" x 8½"
838.2mm x 558.8mm x 215.9mm

Cutout dimensions: 31" x 20" with 1" radius corners.



Drains not included.



Certified by: National Association of Homebuilders
 (NAHB) Research Center and CSA International

Meets or Exceeds:

CSA B45.0-02 ANSI Z 124.3 - 1995
 CSA B45.5-02 ANSI Z 124.6 - 1997

United States Patents US437,035, US441,853, US442,679, US453,554, US457,944 and other Patents Pending may apply.

All designs and specifications
 subject to change without notice
 All dimensions are ± 1/4" (6.35 mm)