

Model 35 Esmond

Advantage 3.2 Series

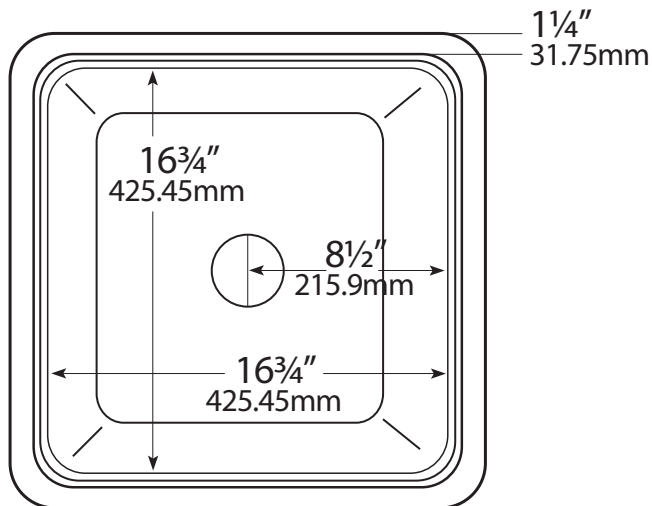


- Social/Prep Sink
- Self-Rim or Undermount
- Requires Deck Mount Faucet
- Decorative Interior Rim

20" x 20" x 8"

508mm x 508mm x 203.2mm

Cutout dimensions for self-rim installation: 18" x 18" with 1" radius corners. For undermount installations, due to variations in desired reveal, it is highly recommended that the actual sink be provided to the countertop fabricator prior to making any cuts.



Drains not included.



Certified by: National Association of Homebuilders
 (NAHB) Research Center and CSA International

Meets or Exceeds:

CSA B45.0-02 ANSI Z 124.3 - 1995
 CSA B45.5-02 ANSI Z 124.6 - 1997

All designs and specifications
 subject to change without notice
 All dimensions are ± 1/4" (6.35 mm)

United States Patents US437,035, US441,853, US442,679, US453,554, US457,944 and other Patents Pending may apply.

900051 © 2009 CorStone, Inc.