

B.lux^o

powered by

Global Lighting

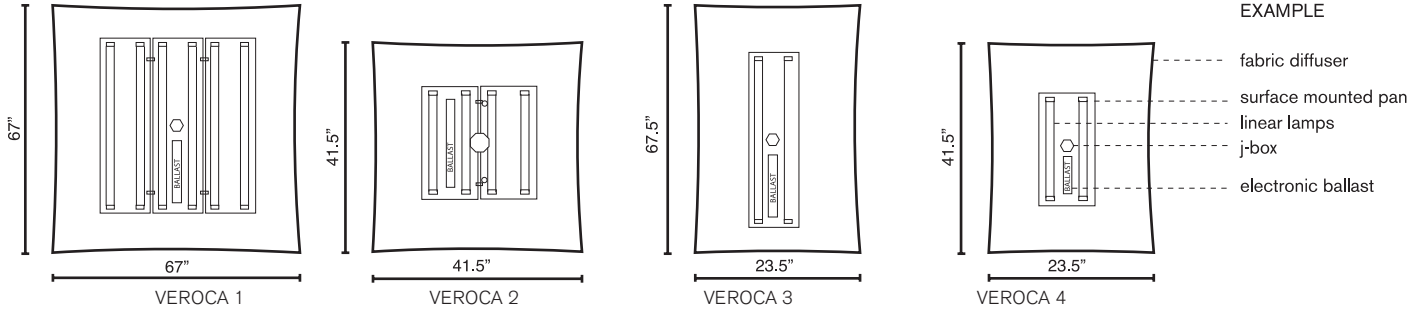


VEROCA LIGHTING SERIES

...Endless fields of vision

DIMENSIONS

Illustrations depict fabric diffuser, location of surface mounted pan, linear lamps, octagonal opening for j-box and electronic ballast.



	VEROCA 1	VEROCA 2	VEROCA 3	VEROCA 4	
WHITE FABRIC	818410EU-W	818420EU-W	818430EU-W	818440EU-W	Non Dimming
	818410DU-W	818420DU-W	818430DU-W	818440DU-W	Dimming
CREAM FABRIC	818410EU-C	818420EU-C	818430EU-C	818440EU-C	Non Dimming
	818410DU-C	818420DU-C	818430DU-C	818440DU-C	Dimming
	6 x F32W T8 Med, BiPin	4 x F17W T8 Med, BiPin	2 x F32W T8 Med, BiPin	2 x F17W T8 Med, BiPin	



VEROCA

DESIGNED BY MIGUEL ANGEL CIGANDA

Inspiring illumination with the Veroca Lighting Series

The Veroca fixture is elegant and sublime. On the surface it's dressed in taunt sheer white or lush cream. Hidden underneath is an energy conscious dimmable fluorescent light source. One that will enhance any environment.

The fixture is available in four sizes with 2 inch chrome fasteners suspending the fabric. This low projection creates a close to ceiling fixture allowing for installation in low environments. Whether selecting cream or white fabric both materials are made from a flame-resistant polyester that is washer friendly.

Veroca Standard Print Series

The standard print series moves beyond the poetic simplicity of white and cream. The line features a collection of inspirational and exotic images heightening the relationship between fashion and design. You can combine these motifs singularly or in groupings for an inspiring setting for work or home.

How to order the fixtures

Please select from one of our 8 standard images. Each image is digitally printed on square, white fabric Veroca models only. Printed image fabric panels are washer friendly and fire-retardant. No minimum order required.

How to order:

1. Select quantity
2. Select print style name.
3. Select Veroca fixture model number indicating size and non-dimming or dimming

Order example:

5 qty Mondrian 818410EU-W

Model numbers for standard print series

- 818410EU-W | Non Dimming
- 818410DU-W | Dimming
- 818420EU-W | Non Dimming
- 818420DU-W | Dimming

Veroca Custom Print Series

For the truly inspired we offer custom printing across the empty surface of the Veroca. We take your idea and turn it into a highly creative reality fulfilling any private design desire or business communication need. We ensure innovative and lasting brand identity within the office or corporate event space as well as enhancing personalized design touches for private residences. Together, we can produce your most inspiring designs and ideas.

Each custom image is digitally printed on square, white fabric Veroca models. Printed image fabric panels are washer friendly and fire-resistant.

How to order:

1. Send a digital file (eps/tif) at 300 dpi or greater with a minimum width of 12 inches.
2. Select quantity
3. Select Veroca fixture model number
4. Select dimmable or non-dimmable

Order example:

5 qty 818410EU-W with accompanying digital file.

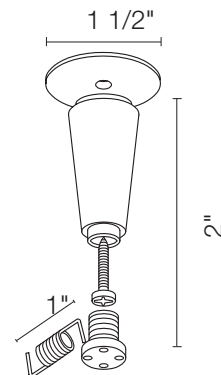
Technical Specifications

Custom print images must be square and meet the file size requirements. Square models are used for printed images. Please allow for production and delivery time after approval of color digital proof. Custom sizes and shapes are possible with orders above 25 units. Please contact a representative for further information.

Model numbers for custom print series

- CT818410EU-W | Non Dimming
- CT818410DU-W | Dimming
- CT818420EU-W | Non Dimming
- CT818420DU-W | Dimming

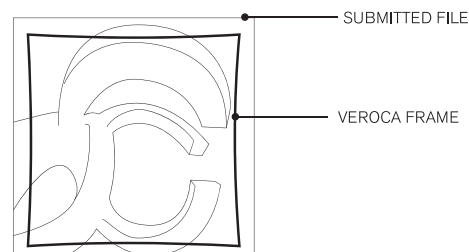
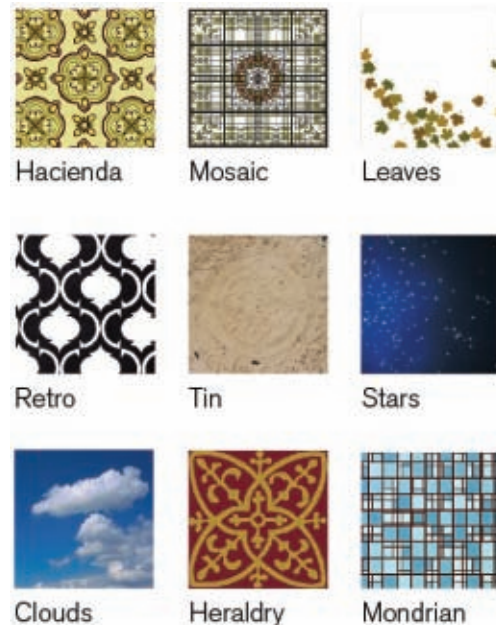
Mounting Pin



Basic Color Swatches



Standard Print Series Swatches



Working towards a more humane, more ecological, and more sustainable future.