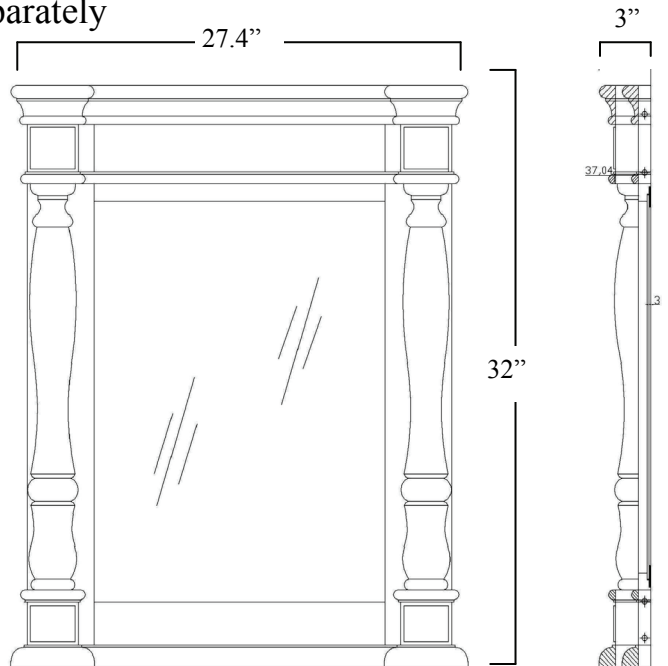


JSG Oceana Bathroom Vanities

Chess Vanity

- Includes Granite Top with predrilled holes for use with a JSG Oceana Vessel or Undermount installation
- Solid Birch wood frame with Natural Cherry Wood Veneer
- Features removable 4" leg extensions for optimum height for use with either a JSG Oceana Vessel or an Undermount
- Includes wooden towel bars on each side of vanity
- Vanity Finishes: Espresso and Black (shown)
- Matching mirror, sink, & faucet sold separately



Shown with Absolute Black Granite
& Black Nickel Undermount

Additional Finish Available:
Espresso Vanity with Beige Top
Item# CHS-VAN-ESP



Additional Granite Available:
Beige Top with Espresso Vanity
Item# VCH-UST-BGE or
CHS-VST-BGE



Shown: CHS-VAN-BLK & VCH-UST-BLK
with 007-007-022



Chess Vanity Specifications

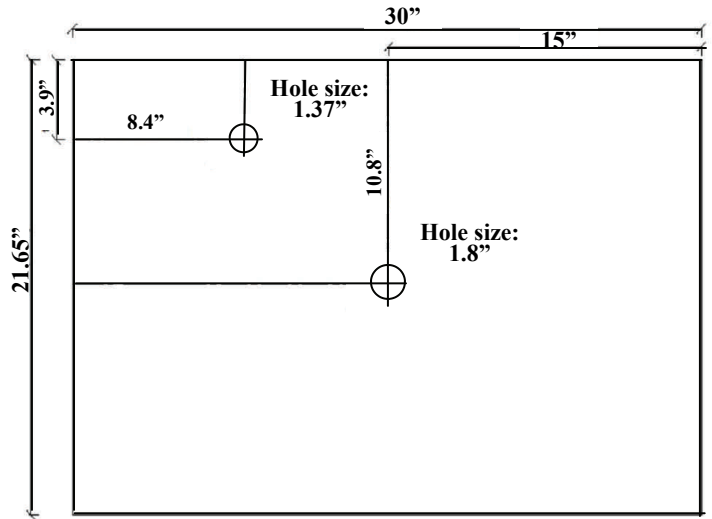
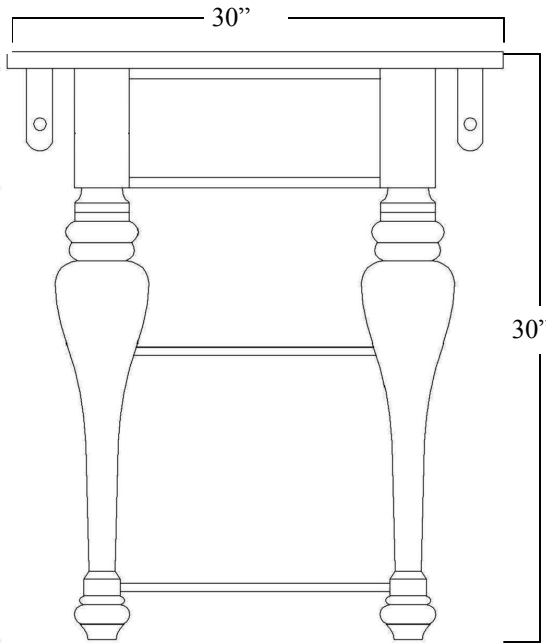
For use with a JSG *Oceana* Vessel

- Vanity item# CHS-VAN-xxx
- Vanity Height: 30" with removal of 4" leg extensions
- Deck mounted faucet required

Chess Countertop for a JSG *Oceana* Vessel

- Item# CHS-VST-BLK or CHS-VST-BGE
- Pre-drilled faucet holes for deck-mounted faucet

Vanity
21" Deep



For use with a JSG *Oceana* Undermount

- Vanity item# CHS-VAN-xxx
- Vanity Height: 34" with 4" leg extensions

Chess Countertop for a JSG *Oceana* Undermount

- Hardware included for undermount installation
- Predrilled faucet holes for 8" faucet spread
- Item# VCH-UST-BLK or VCH-UST-BGE

Vanity
21" Deep

