



# KITCHEN SINK MODEL #009-XXX-XXX

## Product Features

- 15<sup>3</sup>/<sub>4</sub>" x 14<sup>1</sup>/<sub>8</sub>"
- 8<sup>1</sup>/<sub>8</sub>" deep basin
- Single compartment
- Undercounter or drop-in
- Drain width 3<sup>1</sup>/<sub>2</sub>"
- Centered drain hole
- Rim width 1<sup>1</sup>/<sub>4</sub>"
- Glass thickness at drain 1/2"
- Template provided
- Cabinet cradle installation recommended.



## Codes/Standards Applicable

Specified model meets or exceeds the following:

- *IAMPO/UPC*
- *Canadian Standards Association (CSA)*

## Specified Model

MODEL	DESCRIPTION	COLORS
009-009-(XXX)	KITCHEN SINK UNDERMOUNT	17 COLORS
009-008-(XXX)	KITCHEN SINK DROP-IN	17 COLORS

## Colors

### Lustre Colors

- Crystal - 000
- Crystal Reflections - 300
- Champagne Gold - 100
- Gold Reflections - 101
- Sea Green - 200
- Green Reflections - 201
- Black Nickel - 022

### Premium Colors

- White Smoke - 011
- Pewter - 021
- Steel Gray - 244
- Slate Blue Reflections - 344
- Teal - 020
- Pearl - 330
- Blue Reflections - 140
- Copper - 010

### Precious Metals

- 24 Gold - 400
- Platinum - 500

## Product Specification:

The kitchen sink shall be 15<sup>3</sup>/<sub>4</sub>" length, and 14<sup>1</sup>/<sub>8</sub>" width. Sink shall be made of JSG *Oceana* "Hard Roc" glass. Sink shall be a single compartment. Sink shall include a stainless steel #305 basket. Sink shall be known as Model #009-XXX-XXX.



**KITCHEN SINK MODEL #009-XXX-XXX**

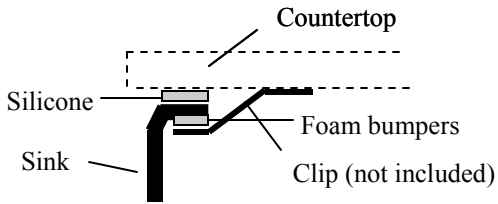
**Product Information**

Fixture*:	basin area	water depth
Sink	15 <sup>3</sup> / <sub>4</sub> " x 14 <sup>1</sup> / <sub>8</sub> "	8 <sup>5</sup> / <sub>8</sub> "
Outlet	3 <sup>1</sup> / <sub>2</sub> " D	

\*Approximate measurements for comparison only.

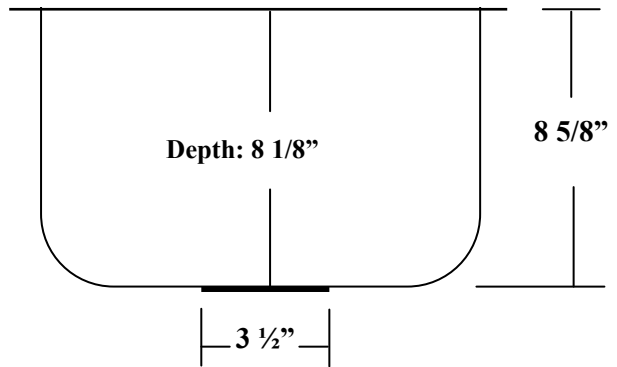
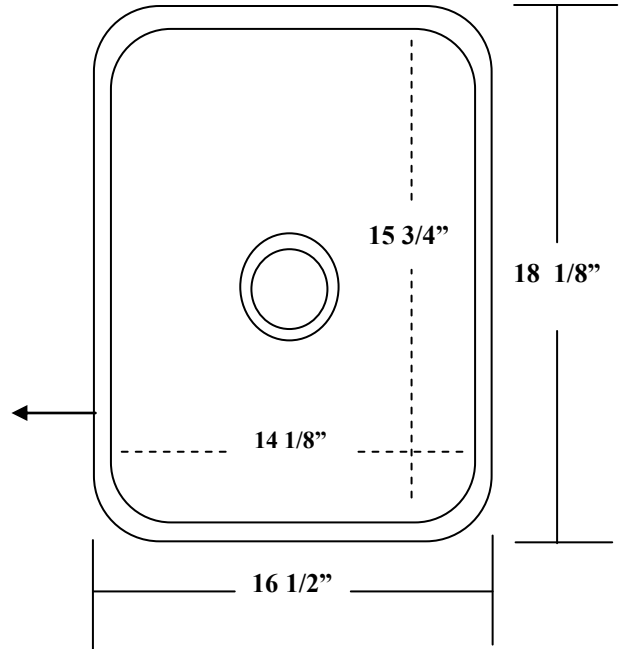
- Included Components:  
 Stainless Steel #305 Basket  
 Cutout template

Top rim: 1<sup>1</sup>/<sub>4</sub>"  
 Underneath rim: 5<sup>5</sup>/<sub>8</sub>"



Allow 2" minimum for clearance around sink rim for clip attachment.

**Double bowl installation: it is recommended to allow 3" of countertop between the bowls.**



**Product Diagram**



## KITCHEN SINK MODEL #009-009-XXX

### Undermount Installation Instructions

JSG *Oceana* Undermount kitchen sinks are recommended to be installed with a negative reveal. (see diagram).

**Negative Reveal - The countertop must extend over the edge of the sink on all sides by approximately 1/4".**



**Templates are supplied only as a guide. The physical use of the sink will assure a more accurate cutout.**

The instructions that follow are for installing a JSG *Oceana* undermount glass sink in a solid surface countertop only. Minimum thickness of the actual countertop is 1/2".

**JSG *Oceana* recommends that undermount sinks and routing of your solid surface material should be installed by a professional installer for best results.**

Requirements vary for installation in a granite, marble, stone or butcher block countertop. Please contact your fabricator for specific details.

Before installing, inspect the sink for damage. Do not install a damaged unit. Store the sink in the protective carton whenever possible.

Remember, it is your responsibility to follow all local plumbing and building codes.

The warranty will be voided if these installation instructions are not followed.

### Tools and Materials you will need

- Undermount template supplied by JSG *Oceana*.
- Undermount clips (NOTE: these are not supplied by Oceana. Most professional fabricators use their own unique fastner system. Also the hardware will be determined by your fabricator based on the type of countertop you have chosen.)
- Safety Goggles (eye protection)
- Ear Protection
- Pencil
- Measuring Tape
- Drill and drill bit
- Slotted screwdriver
- Silicone adhesive sealant (clear)
- 3/8" thick plywood sheet for cutting a template
- Two 6" bar clamps
- Framing Square
- Ball peen hammer (6 oz.)
- File
- Stop block (for drilling holes of a consistent depth)
- Router
- 5/8" template guide with straight fluted router bit
- Rags
- Denatured alcohol
- Wood braces
- 1/2" square adhesive-backed foam bumper (1/8" thick)

#### 1. Create a template

(Recommended for professional installers only.)

- Using a framing square, draw a line from the front to the back on the bottom of the countertop, indicating the location of the center of the sink.
- Draw a line parallel to the front edge of the countertop, indicating how far back the sink should be located. Typically the setback is 2" to 2½" from the front of the counter, depending on the countertop overhang, the type of sink bowl, and the size of the sink deck.  
**NOTE:** Check for adequate clearance between the sink, faucet, and backsplash. Verify the sink will not interfere with the cabinet during installation.  
**NOTE:** For multiple sink installations, a minimum distance of 3" is required between sinks.
- To create a template, turn the sink upside down on the piece of plywood and draw around it., or place the template paper on plywood. **NOTE:** Paper templates are supplied only as a guide. Using the actual sink ensures a more accurate cutout.
- Adjust the template size to allow for a negative reveal.
- Cut the plywood template paying particular attention to the corner radius.



# KITCHEN SINK MODEL #009-009-XXX

## 2. Cut the Sink Mounting Hole (Recommended for profession installers only.)

**CAUTION: RISK OF PRODUCT DAMAGE.** To avoid damage to the sink, do not cut, drill, or sand the countertop while it is in position over the sink.

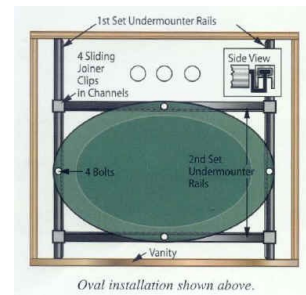
- Make the sink cutout. Find the center of the sink template and align it with the center mark drawn on the countertop. Place the template with the front edge along the front edge line drawn on the countertop.
- Secure the plywood template to the countertop using 6" bar claps. Place the router over the plywood template and cut around it, making sure the router follows the edge of the template. This creates the sink cutout.
- Finish the inside of the sink cutout according to the recommendations of the countertop material supplier.

## 3. Attach the Undermount Clip (Recommended for professional installers only.)

**JSG Oceana recommends the use of a cabinet cradle for sink installation, follow the manufacturer's instructions.**

**Utilize two undermounter sets to secure all four sides of your sink, (refer to diagram at right).**

(JSG Oceana recommends the "Sink Undermounter™").  
Contact Vance Industries.  
Phone: 847.983.0960 Fax: 847.983.0992  
www.vanceind.com

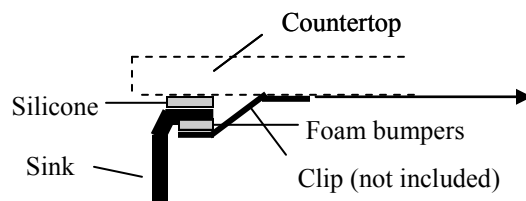


If a cabinet cradle is not utilized follow the following steps:

- Position the bowl so that the reveal is equidistant. Then on the underside of the countertop, drill holes for brass inserts for undermount clips. Use a drill bit with a stop block to avoid drilling through the top. For 1/2" countertop material, drill 3/8" deep holes.
- Use three clips on the long sides of the sink and two clips on the short sides of the sink. Drill the hole 1" back from the cutout edge.
- Tap in the brass inserts for the clips into the pre-drilled holes with the slotted ends first.
- Thread a wingnut onto a screw, up near the head. Adhere a 1/2" adhesive-backed foam bumper (1/8" thick) to the end of the clip that fits securely under the sink rim. With the washer and slotted clip in place loosely install the mounting bracket to the countertop. Repeat for each clip.
- Turn the brackets parallel to the opening to allow for easy installation of the sink.

## 4. Install the sink. (Recommended for professional installers only.)

- Clean the bottom of the countertop and the top flange (or rim) of the sink with denatured alcohol. Then apply a generous bead of silicone adhesive to the rim of the sink near the inside edge.
- Position and align the sink with the opening in the countertop.
- Rotate the mounting brackets over the sink rim.
- Hand tighten the wingnuts to secure the sink bowl.
- **NOTE:** do not fully tighten one clip at a time. Partially tighten a clip, then partially tighten the clip across from it. After each clip is partially tightened, repeat the process, fully tightening each clip. This ensures a secure installation and avoids damage to the sink. **DO NOT OVERTIGHTEN.**
- Remove the excess sealant from the inside lip of the bowl using a dry cloth.
- Allow the sealant to cure for a minimum of 30 minutes. Follow the instructions provided with the sealant.



This end of the clip is secured to the countertop as instructed by the countertop manufacturer.