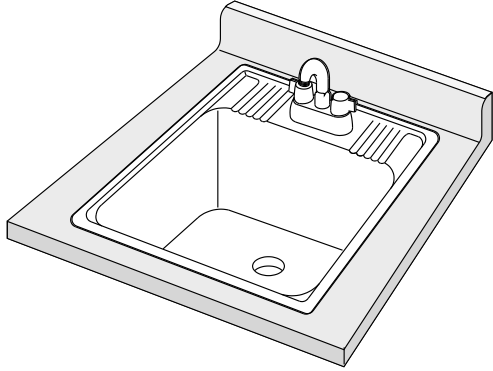


INSTALLATION PLANNING

These laundry tubs are designed to fit into a standard cabinet countertop.



Determine the desired location of your tub on the counter top. Make sure the position will fit on the flat area of the counter top taking into account the radius curve of the back splash (if applicable). Also note clearance below the counter top to assure room for faucet and drain connections.

INSTALLATION PROCEDURE

- Carefully measure for the countertop cutout. The tub is designed to fit a cutout measuring 23-1/8" x 20-7/8". When making the layout, take note of Detail "A" below. If the countertop has a back splash, do not start the cutout closer than 1" from the radius. Otherwise, the rim of the tub may ride up on the radius, resulting in the tub being out of level.
- Drill a 1/2" diameter hole at each corner of the cutout. Make a saw cut along the inside of the layout lines. (See Figure 2).

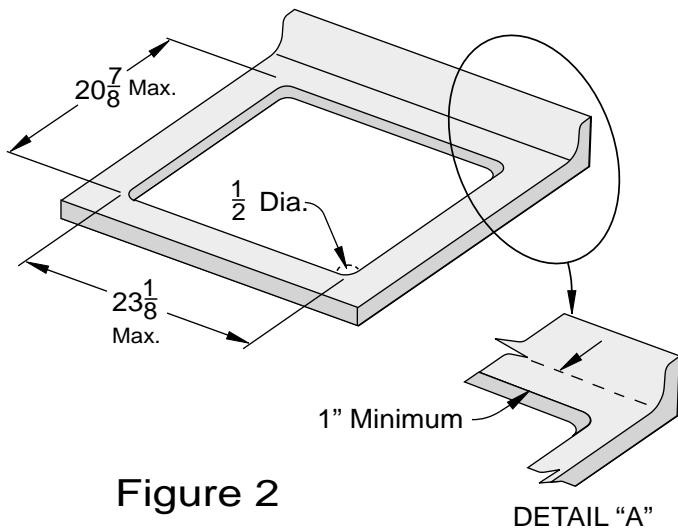


Figure 2

DETAIL "A"

CAUTION: DO NOT exceed the maximum dimensions indicated for the cutout. **DO NOT** start the cutout any closer than one inch from the radius of the back splash.

Test fit the tub into the opening.

- Remove tub from cutout and install faucet (supplied by others). Use flexible supply lines where permissible. If sweat connections are required, make all attachments before the tub is in place. Install the drain assembly. First apply a bead of silicone sealant along the underside of the drain body flange. Place body through drain hole. Install rubber washer then thread on the locknut. Tighten fitting. Wipe away any excess sealant before it cures.

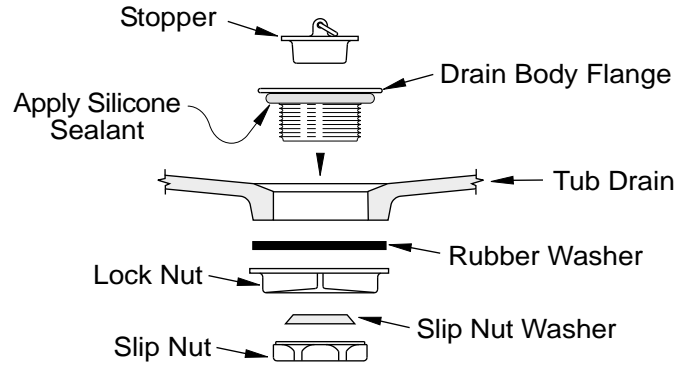
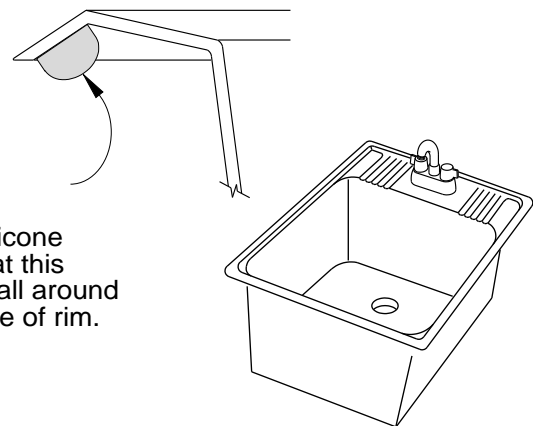


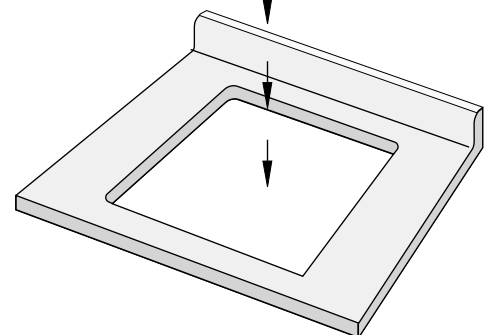
Figure 3

- Apply a continuous 3/8" bead of sealant to the underside of the tub rim as shown in Figure 4. Lift tub and place into countertop.



Apply silicone sealant at this location all around underside of rim.

Figure 4



5. Install the locking bars at the corners. These bars clamp the rim of the tub to the counter top. They are attached using screws that thread into each corner of the underside of the tub rim. (See Figure 5).

Wipe away any wet sealant before it cures.

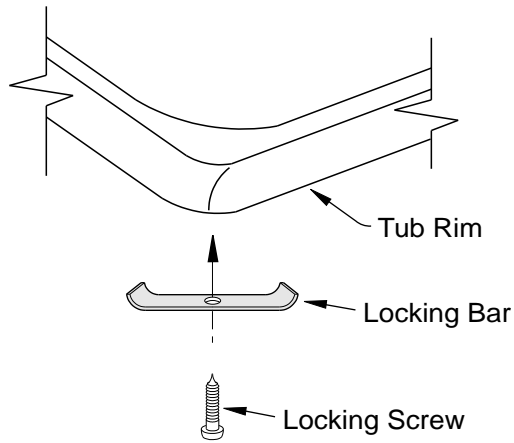
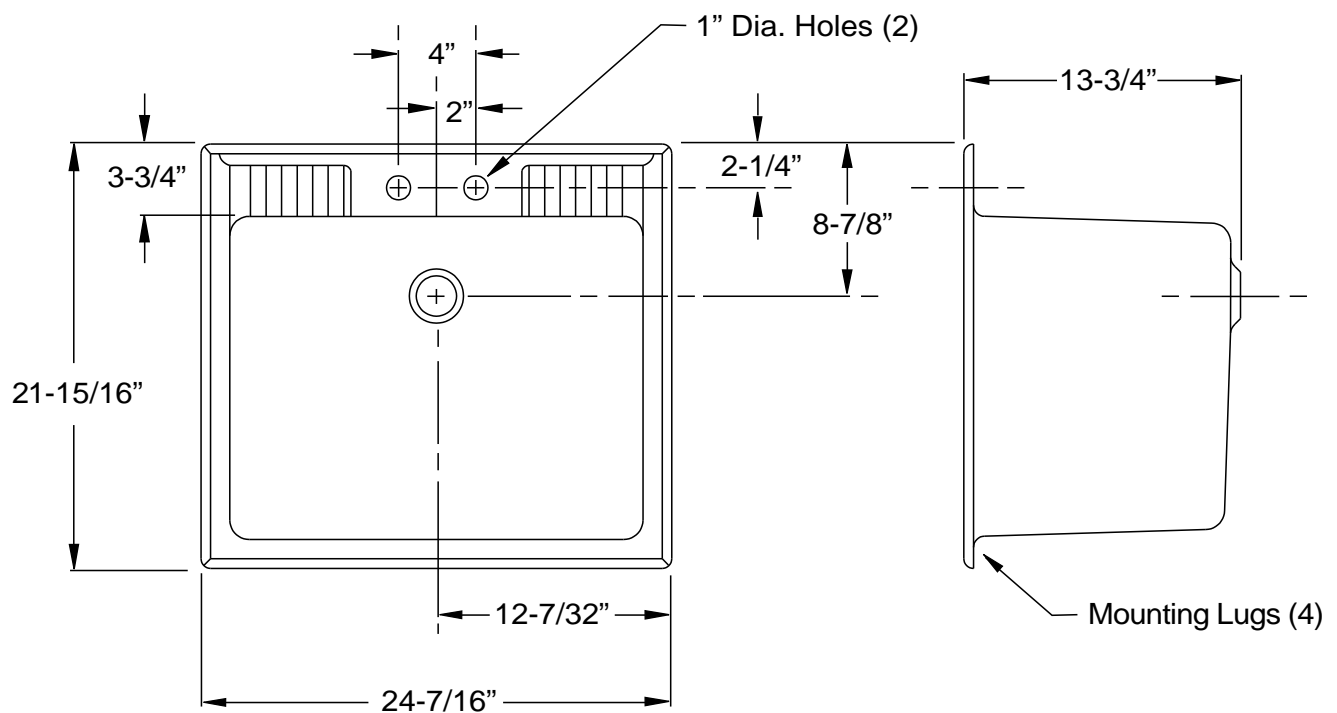


Figure 5

PRODUCT DIMENSIONS



FIAT[®]
PRODUCTS LTD.

255 Hutchings St. Winnipeg, MB. R2X 2R4

PRINTED IN USA Form No. E-139-CC Rev. 7/04.