

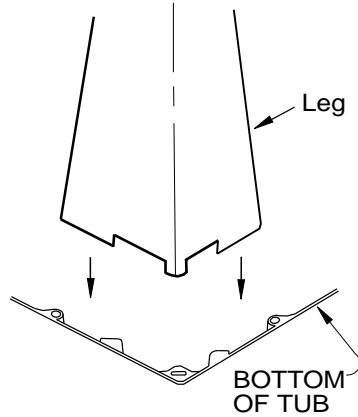
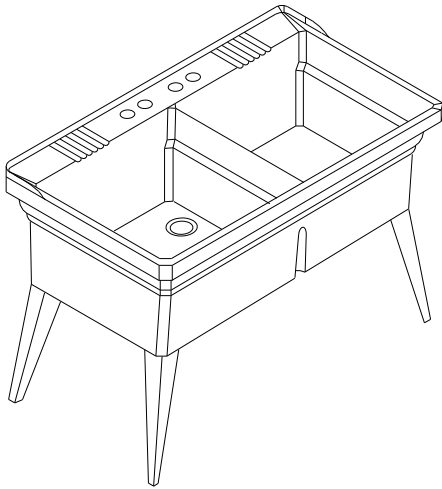


# ASSEMBLY INSTRUCTIONS for LAUNDRY TUBS

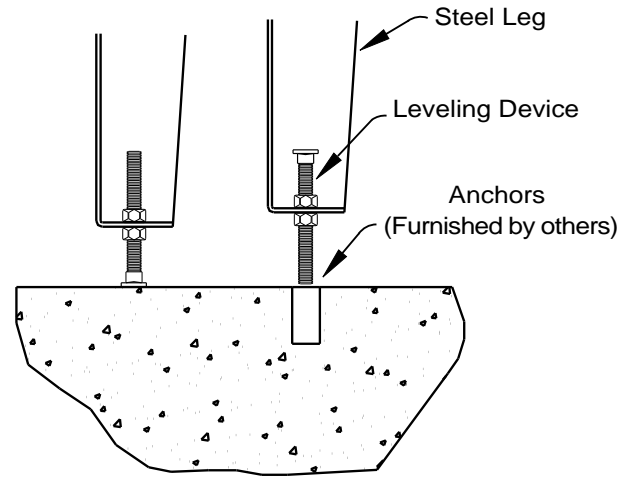
## WALL AND LEG MOUNTED UNITS

MODEL P-1  
MODEL FL-7  
MODEL SF-1F  
MODEL SF-1W  
MODEL LTD II  
MODEL FLTD II  
MODEL L1  
MODEL FL1  
TUFF TUB TO GO

### LEG MOUNTED PROCEDURE



DETAIL A



DETAIL B

Slip notched end of leg into corner of tub as shown in DETAIL A.

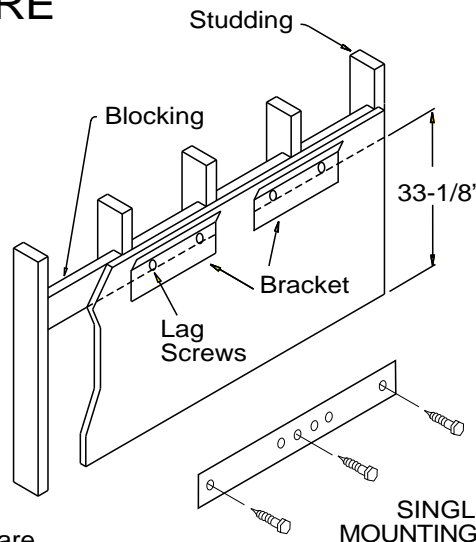
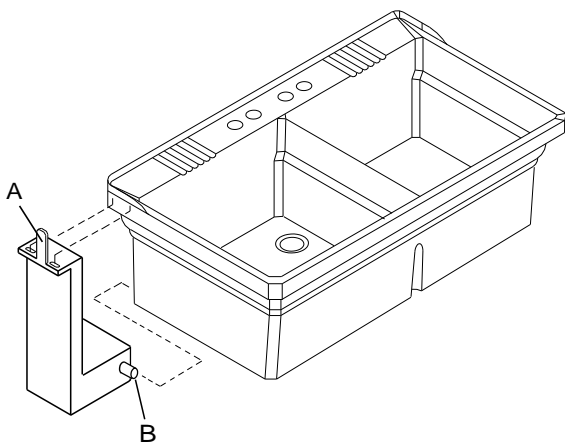
Drive the leg home by striking with a wood block and hammer. Apply one leveling device on each leg as shown in DETAIL B. NOTE: Certain leg assemblies have a Tinnerman Clip on the leveling device, rather than two nuts.

Adjust all four legs after standing tub upright.

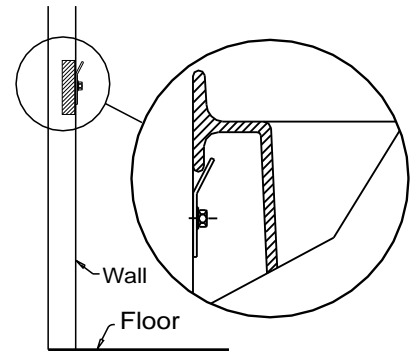
The laundry tub may be leg or wall mounted. Models with an "F" suffix (SF-1F for example), are leg mounted tubs, and are shipped with four leg assemblies. Leg mounting is the same for single or double tubs.

To mount legs on tub, turn unit upside down and lay on protected surface.

### WALL MOUNTED PROCEDURE



SINGLE TUB  
MOUNTING BRACKET



DETAIL C

Laundry tubs with an "W" suffix in the model number are wall mounted tubs. Instead of legs, these tubs are shipped with filler panels that must be installed. Drill out plastic filler panel hole on the back of the tub skirt and insert the tab (A) into the slot under the tub rim. Push the anchoring barb (B) into the hole in the tub skirt. Repeat for opposite panel. Note: Each of the filler panels are marked L or R and should be installed accordingly.

When mounting tub to a stud wall, install wood blocking to bridge the studs. For double tubs, fasten the mounting brackets to the wall 33-1/8" up from floor with 1/4" lag screws. Make sure lag screws drive into studs or blocking.

Single tub units use a single hanger. Fasten wall mounting hanger to the wall 33-1/8" up from the floor with three 1/4" lag screws. Two screws must be placed in the outermost holes of the bracket to properly attach the tub to the wall.

Lift and place sink over wall mounting bracket(s). Make sure tub is seated securely on the lip of the mounting bracket(s). See DETAIL "C".

Fasten wall mounting bracket to concrete or cement block wall construction by following the same procedure for wood stud walls discussed earlier.

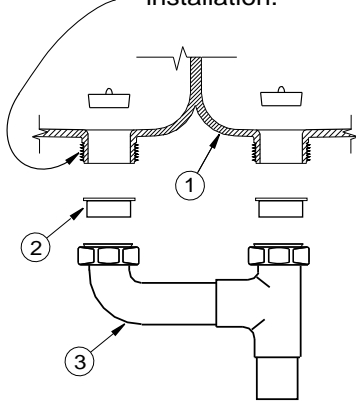
Drill holes with a masonry bit and use lead alloy screw anchors with 1/4" lag screws and flat washers.

**TAIL PIECE / STOPPER ASSEMBLY**

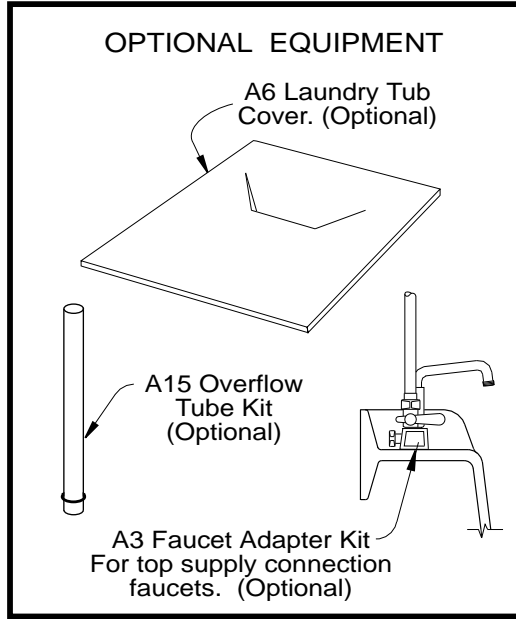
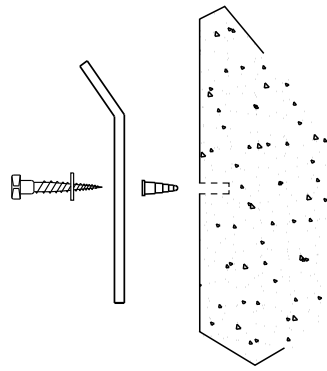
Typical Tail Piece / Stopper Assembly

Installation is the same for double or single basin laundry tubs.

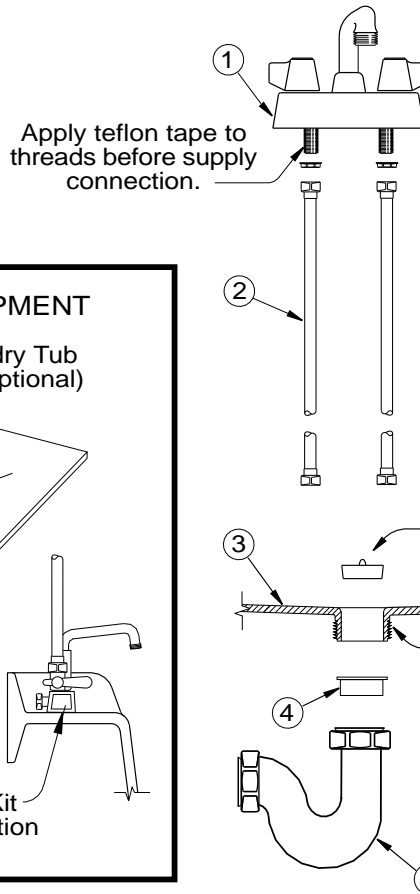
Apply teflon tape to drain boss threads before installation.



- 1 Laundry Tub
- 2 Tail Piece Washer
- 3 Tail Piece



**TUFF TUB TO GO**  
**DETAIL OF FAUCET, SUPPLY LINES**  
**WASTE LINES, AND TRIM ASSEMBLIES**



Carton Includes:

- 1 A-1 Faucet
- 2 Water Supply
- 3 Laundry Tub
- 4 Tail Piece Washer
- 5 P-Trap

All hardware needed for the complete laundry tub installation.

Stopper  
 Installer must provide teflon tape.

Rough-in water supplies and waste line must be provided at the installation area.

**IMPORTANT NOTICE:** The Gaskets / Washers supplied with the drain assembly should provide adequate water seal. If additional protection is desired, use ONLY Teflon Tape. Use of Plumbers Putty may adversely affect the structural integrity of the Drain Assembly and will void the warranty.

**Packing List : Models SF-1F P-1 FL-7 FL-1 FLTD II**

Qty.	Description
1	Molded laundry tub
4	Painted steel legs
4	Tinnerman clip
4	Carrige bolt
4	1/4" - 20 Hex nut
1or2	Stopper
1or2	Washer
1or2	Tail Piece
1	Illustrated installation manual

**Packing List : Model SF-1W LTD II L1**

Qty.	Description
1	Molded laundry tub
1	Wall hanger bracket
2	Side filler panels, (1) L (1) R
3or4	1/4" lead screw anchors
3or4	1/4" lag bolts
3or4	5/16" flat washers
1or2	Stopper
1or2	Washer
1or2	Tail Piece
1	Illustrated installation manual

**Packing List : TUFF TUB TO GO**

Qty.	Description
1	Molded laundry tub
4	Painted steel legs
4	Tinnerman clip
4	Carrige bolt
4	1/4" - 20 Hex nut
1	Screw bag (for legs)
1	A-1 Faucet
2	Water Supply Lines
1	Stopper
1	Washer
1	P-Trap
1	Packing tray (RMS999)
1	Illustrated installation manual



CR/PL 1235 Hartrey Ave. Evanston, IL. 60202