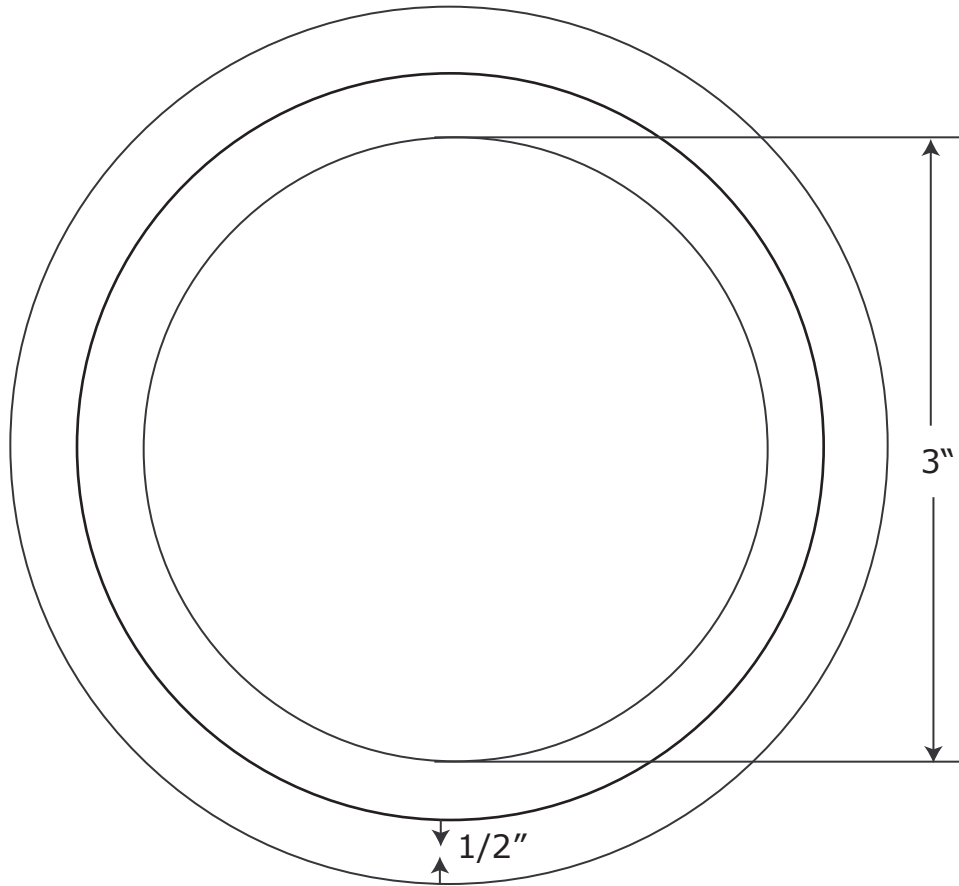


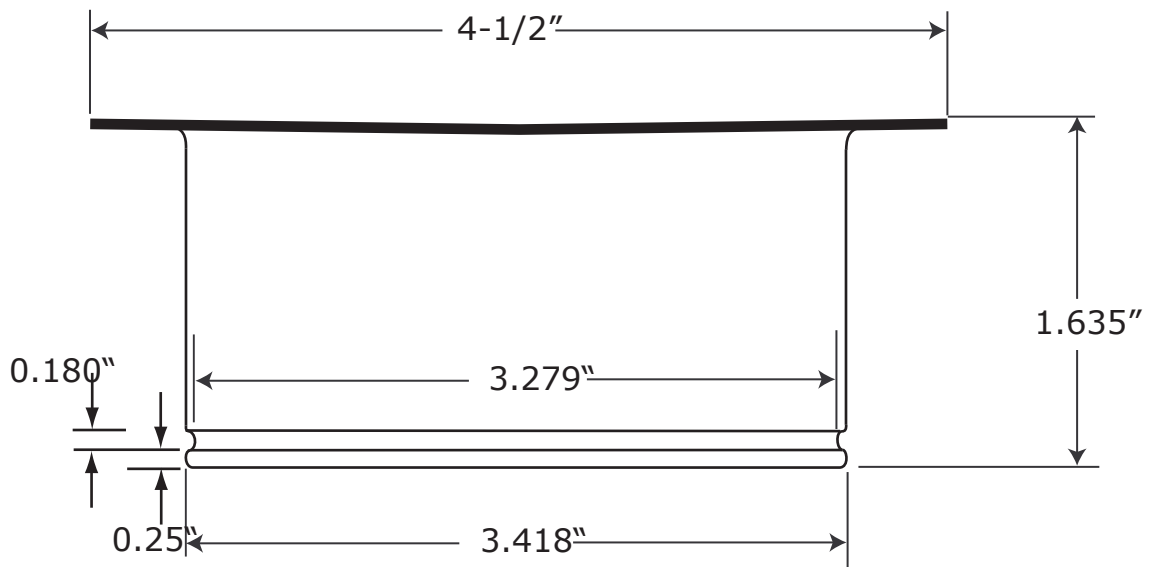
PART NO. D208

**SPECIFICATION SHEET**

In-Sink-Erator disposal flange.  
Fits Most ISE models.



Top View



Side View