

#2580 Victorian Dollhouse

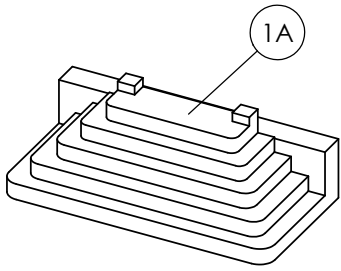
Assembly Manual



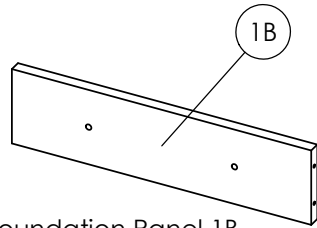
Parts List

Item No.	Item Name	Qty.
1A	Front Steps	1
1B	Foundation Panel 1B	1
1C	Foundation Panel 1C	1
1D	Foundation Panel 1D	1
1E	Foundation Panel 1E	1
1F	Foundation Panel 1F	1
1G	Foundation Panel 1G	1
1H	Foundation Panel 1H	1
2	Floor Panel 2 (1st floor)	1
3	Wall Panel 3	1
4	Wall Panel 4	1
5	Wall Panel 5	1
6	Wall Panel 6	1
7	Wall Panel 7	1
8	Wall Panel 8	1
9	Wall Panel 9	1
10	Wall Panel 10	1
11	Floor Panel 11 (2nd floor)	1
12	Staircase Assembly 12 (1st floor)	1
13	Wall Panel 13	1
14	Floor Panel 14 (top floor)	1
15	Wall Panel 15	1
16	Staircase Assembly 16 (2nd floor)	1
17	Roof Panel 17	1
18	Roof Panel 18	1
19	Roof Panel 19	1
20	Roof Panel 20	1
21	Roof Panel 21	1
22	Roof Panel 22	1
23	Roof Panel 23	1
24	Roof Panel 24	1
25	Roof Panel 25	1
26	Roof Panel 26	1
27	Roof Panel 27	1
28	Screw	91
29	optional plugs	*

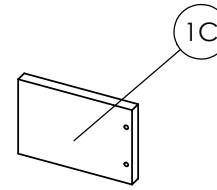
Foundation Components



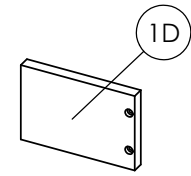
Front Steps 1A



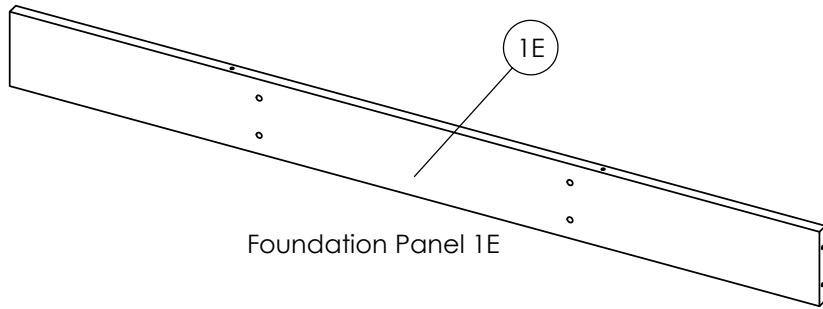
Foundation Panel 1B



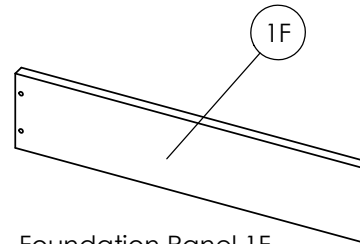
Foundation Panel 1C



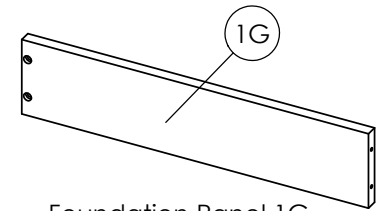
Foundation Panel 1D



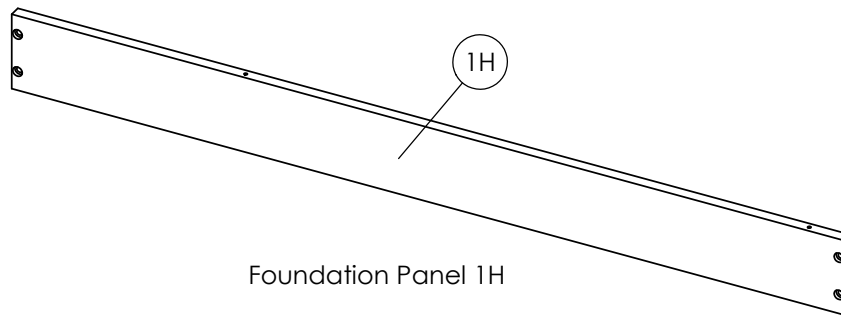
Foundation Panel 1E



Foundation Panel 1F

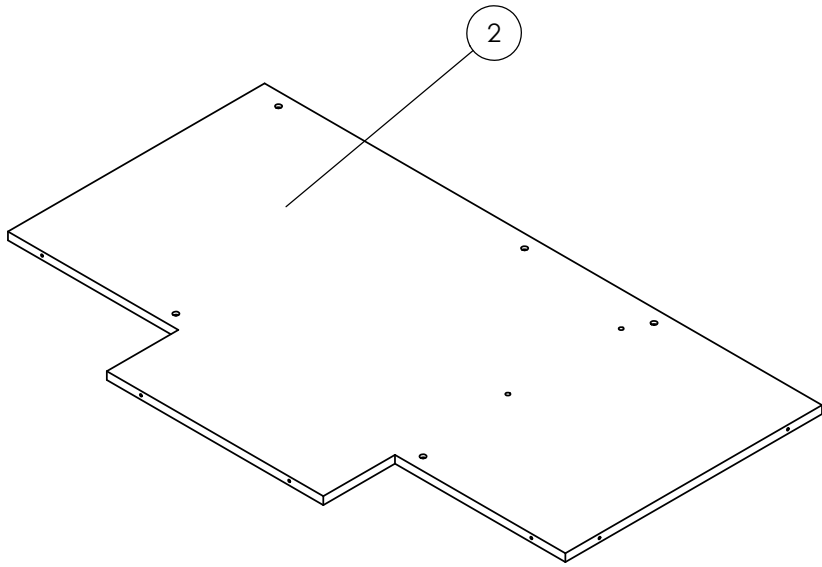


Foundation Panel 1G

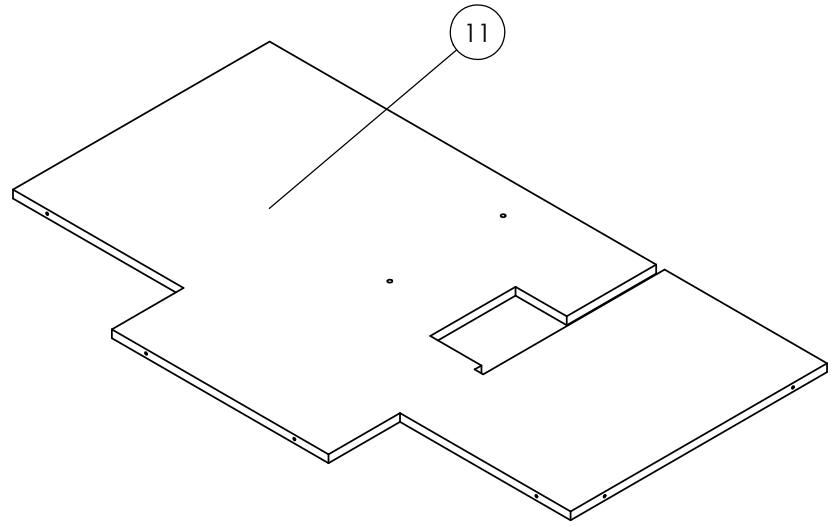


Foundation Panel 1H

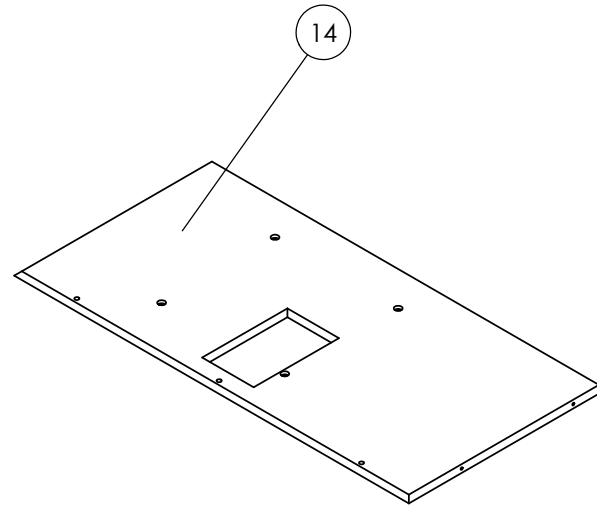
Floor Panels



Floor Panel 2 (1st floor)

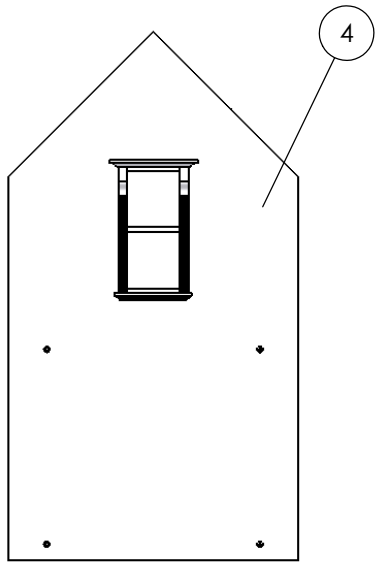


Floor Panel 11 (2nd floor)

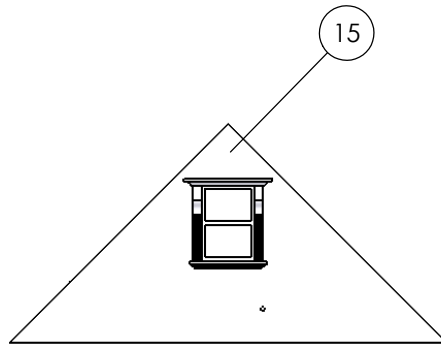


Floor Panel 14 (top floor)

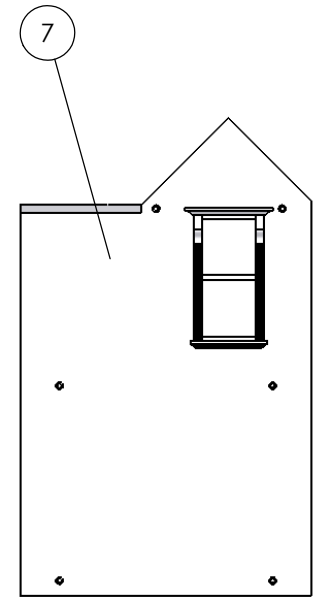
Outer Wall Panels



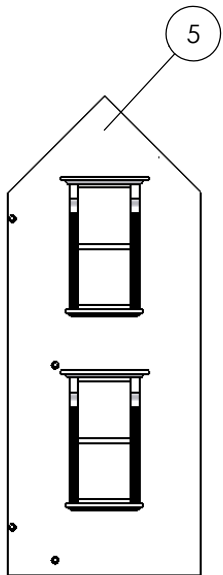
Wall Panel 4



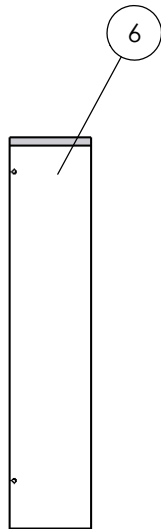
Wall Panel 15



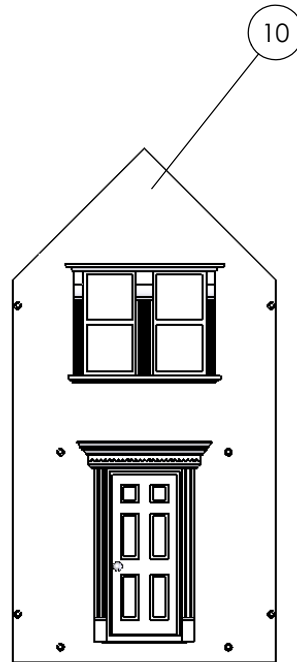
Wall Panel 7



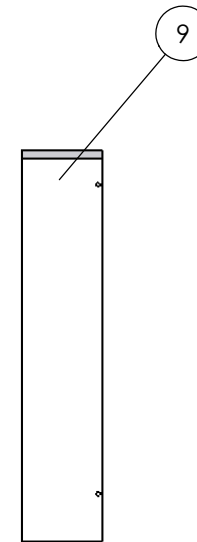
Wall Panel 5



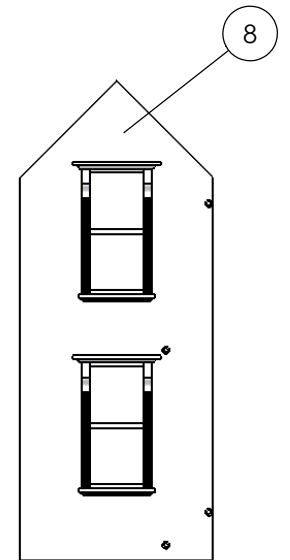
Wall Panel 6



Wall Panel 10

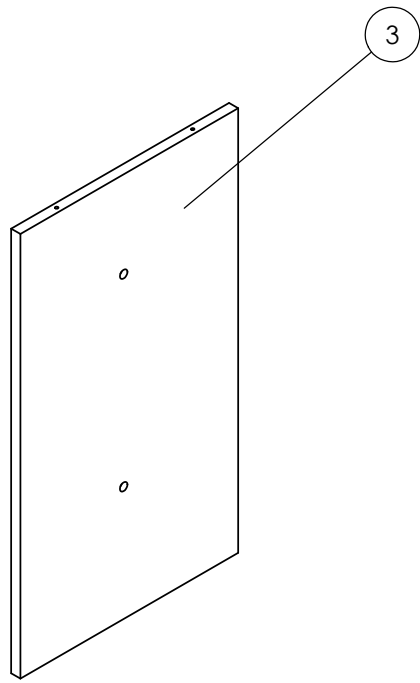


Wall Panel 9

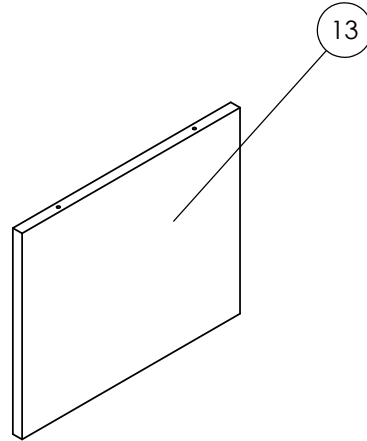


Wall Panel 8

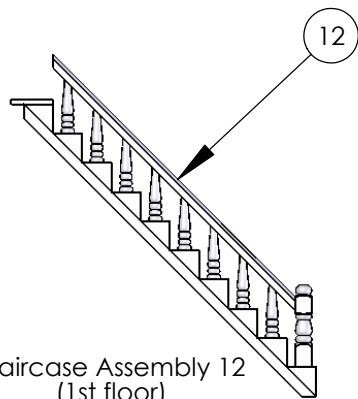
Inner Wall Panels, Staircases and Hardware



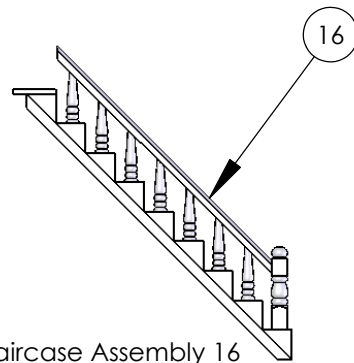
Wall Panel 3



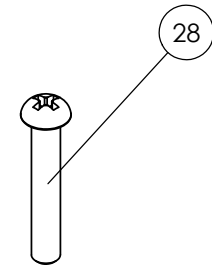
Wall Panel 13



Staircase Assembly 12
(1st floor)

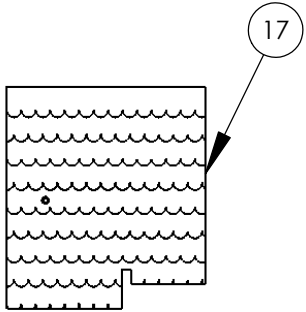


Staircase Assembly 16
(2nd floor)

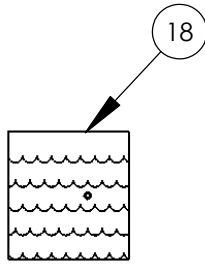


Screw

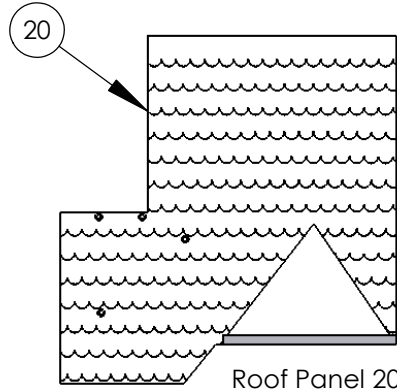
Roof Panels



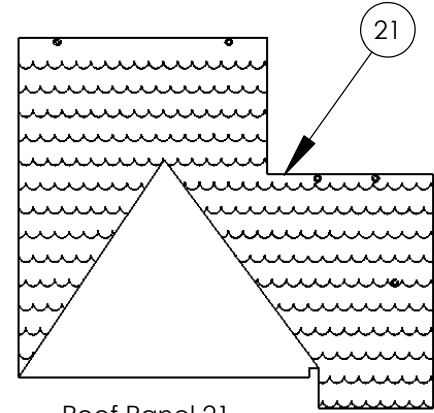
Roof Panel 17



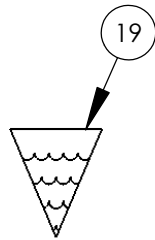
Roof Panel 18



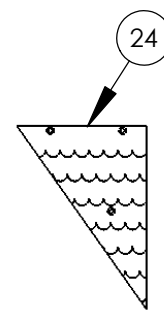
Roof Panel 20



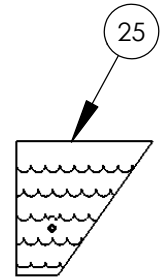
Roof Panel 21



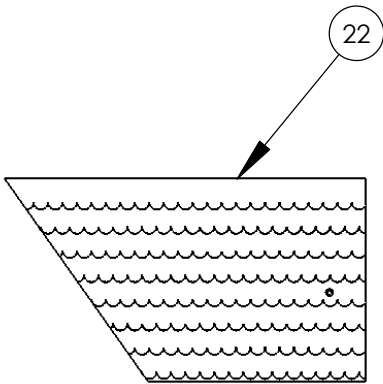
Roof Panel 19



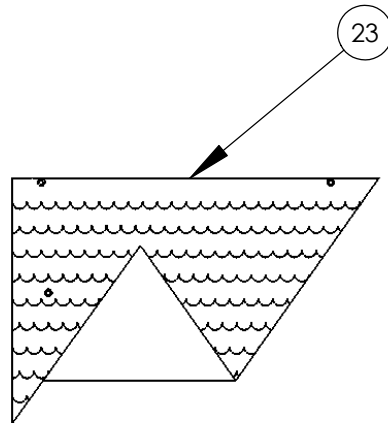
Roof Panel 24



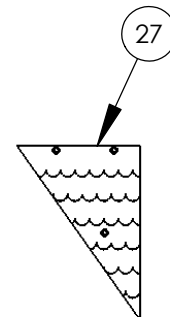
Roof Panel 25



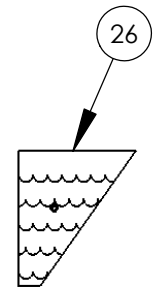
Roof Panel 22



Roof Panel 23



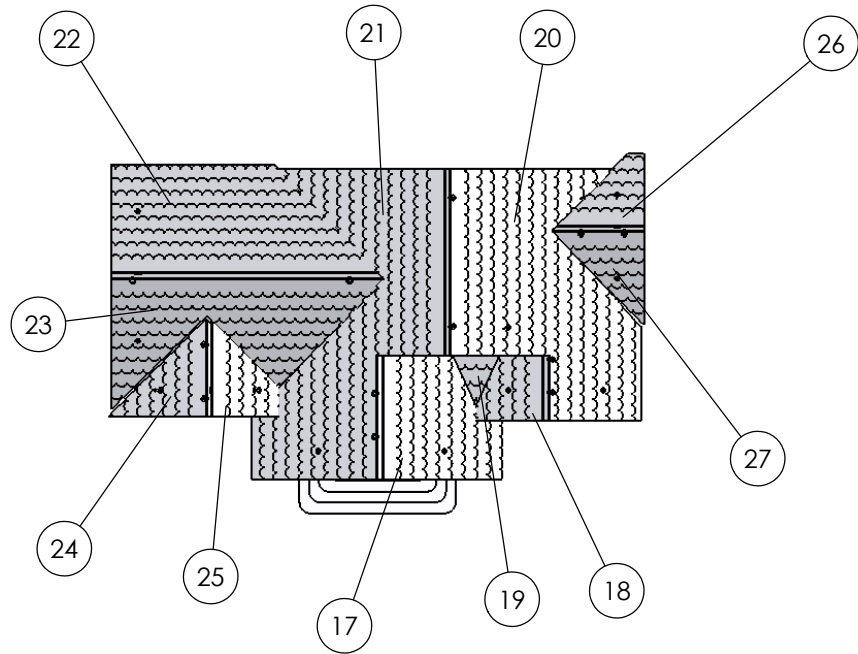
Roof Panel 27



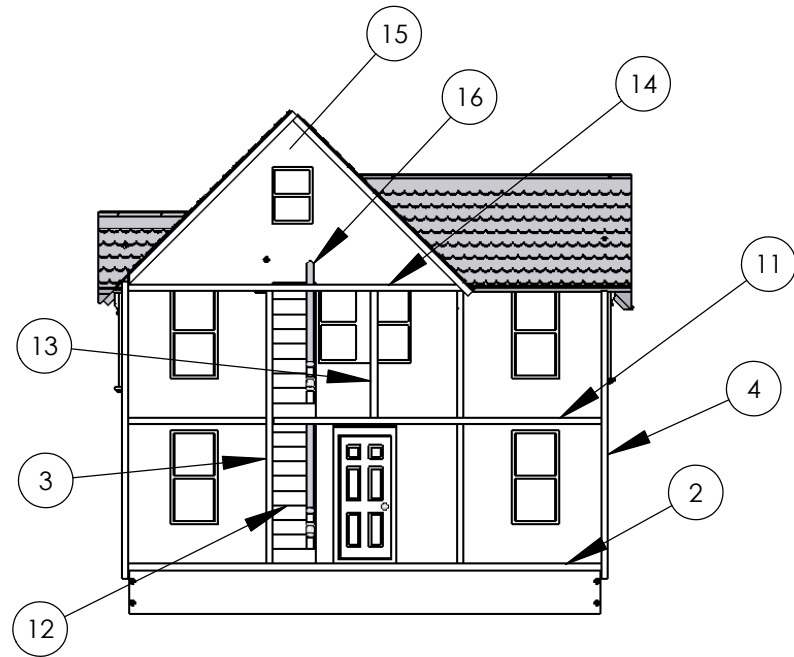
Roof Panel 26

Completed dollhouse views.

(foundation components not labeled)



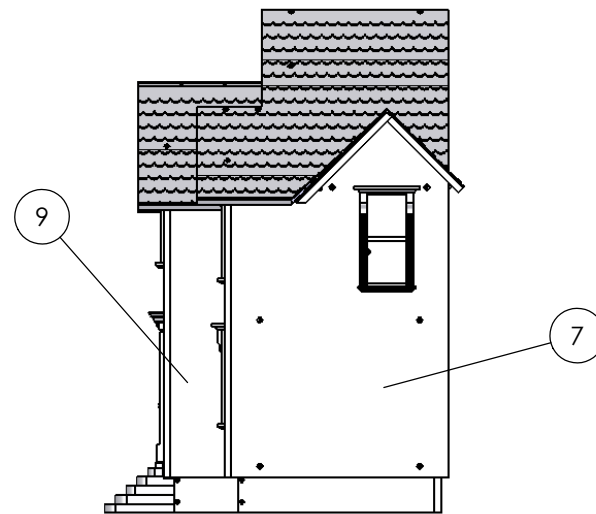
top view with roof panel item numbers



rear view with component item numbers

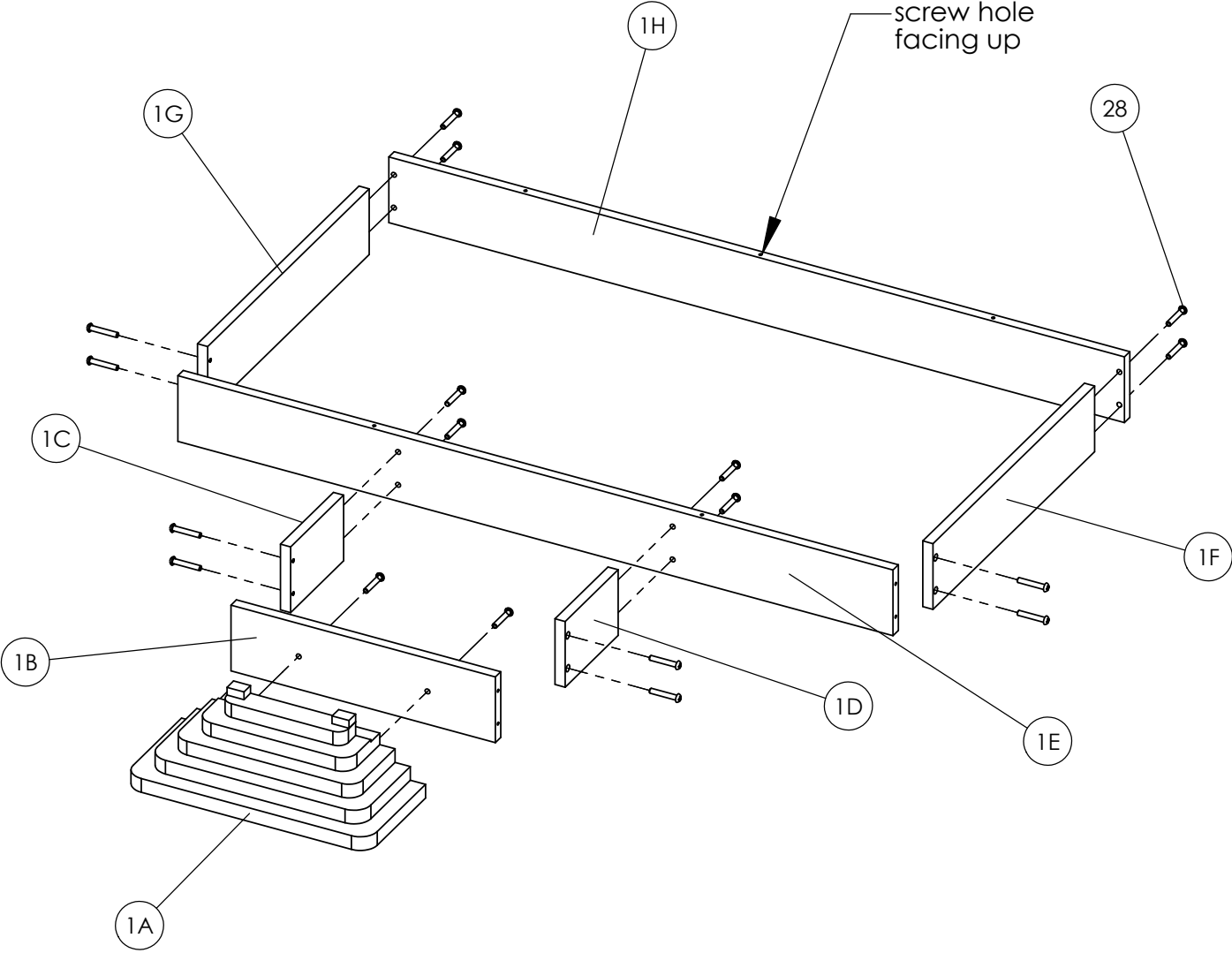


front view

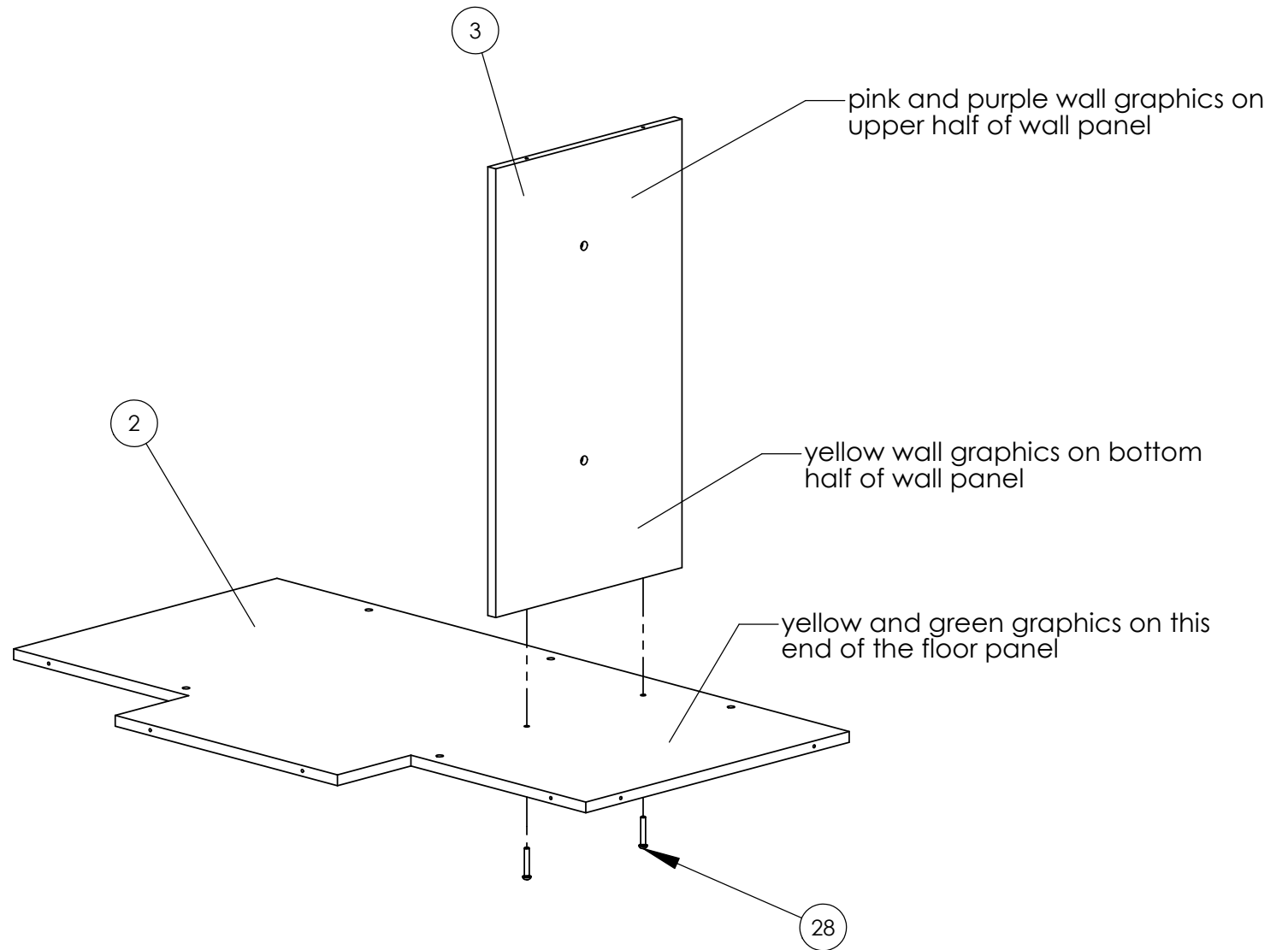


right side of house

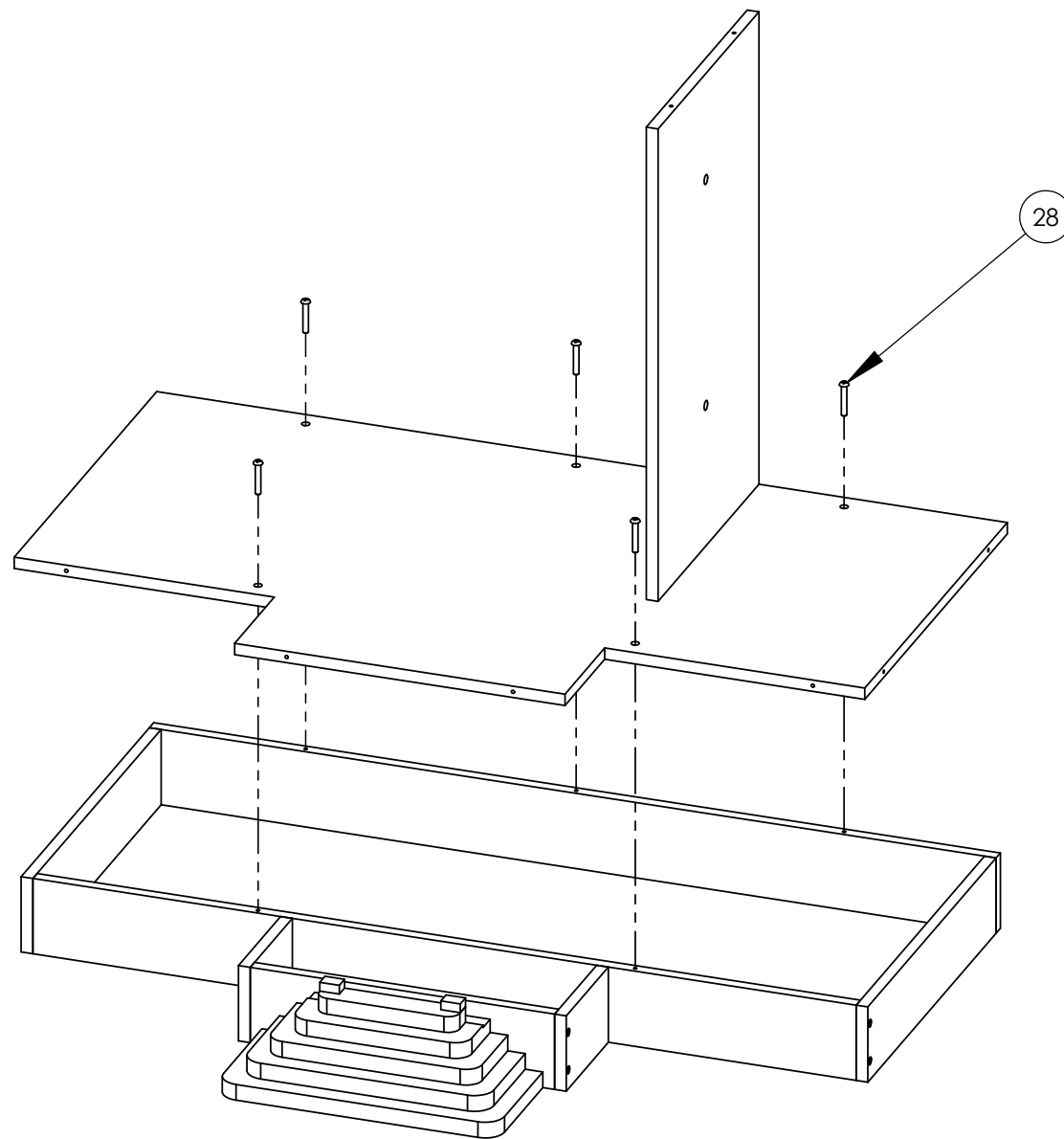
Step 1: Begin by attaching Front Steps 1A to the decorative side of Foundation Panel 1B using 2 screws (item 28), as illustrated. Next, with artwork facing out on all panels, assemble the foundation as shown in the diagram. Make sure that the screw holes on the long edges of panels 1E and 1H are facing up. Secure panels together with 16 screws (item 28).



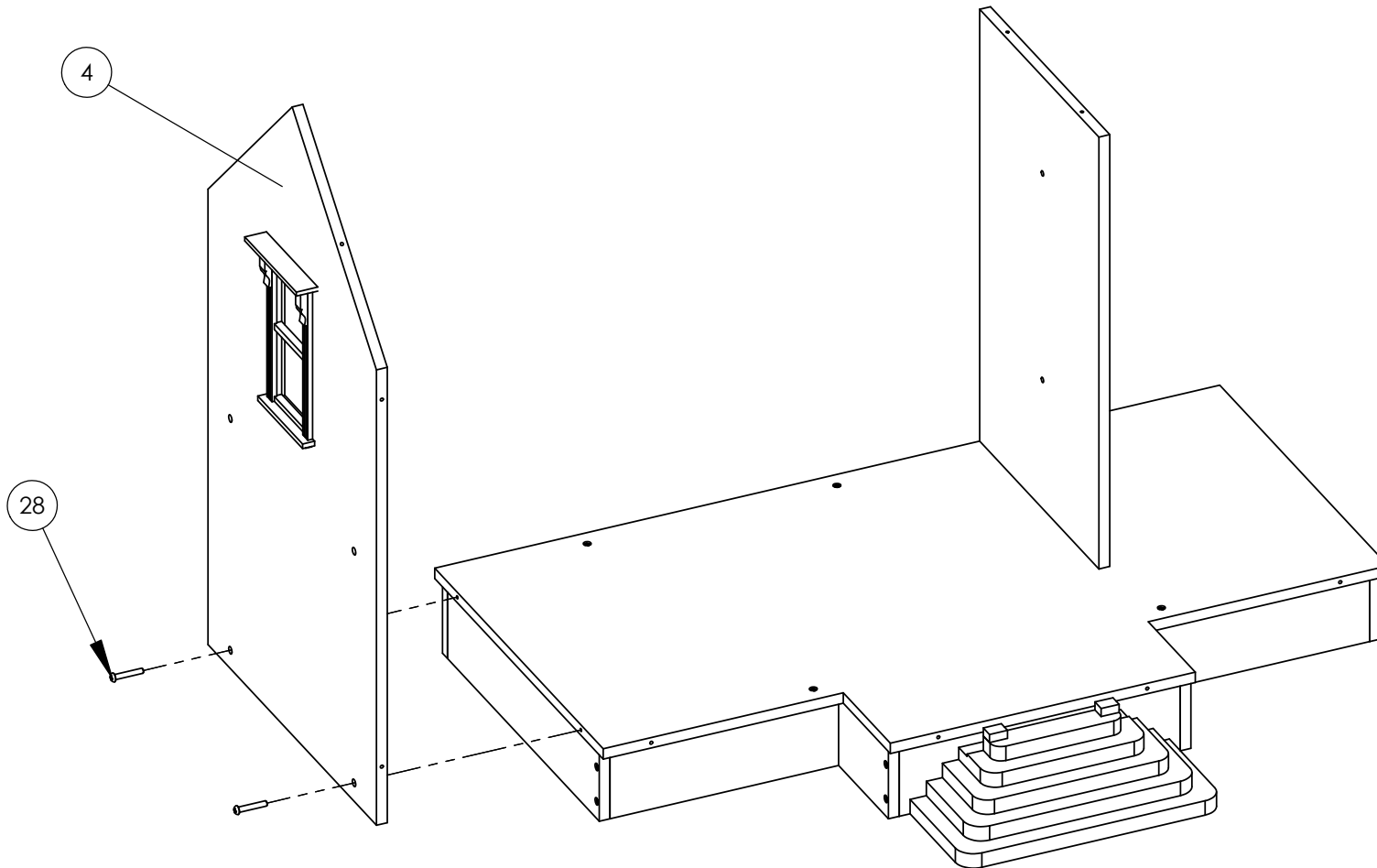
Step 2: Attach Wall Panel 3 to Floor Panel 2 with 2 screws (item 28) inserted through the bottom of the floor panel. Make sure to align the graphics on the wall and floor panels as described below.



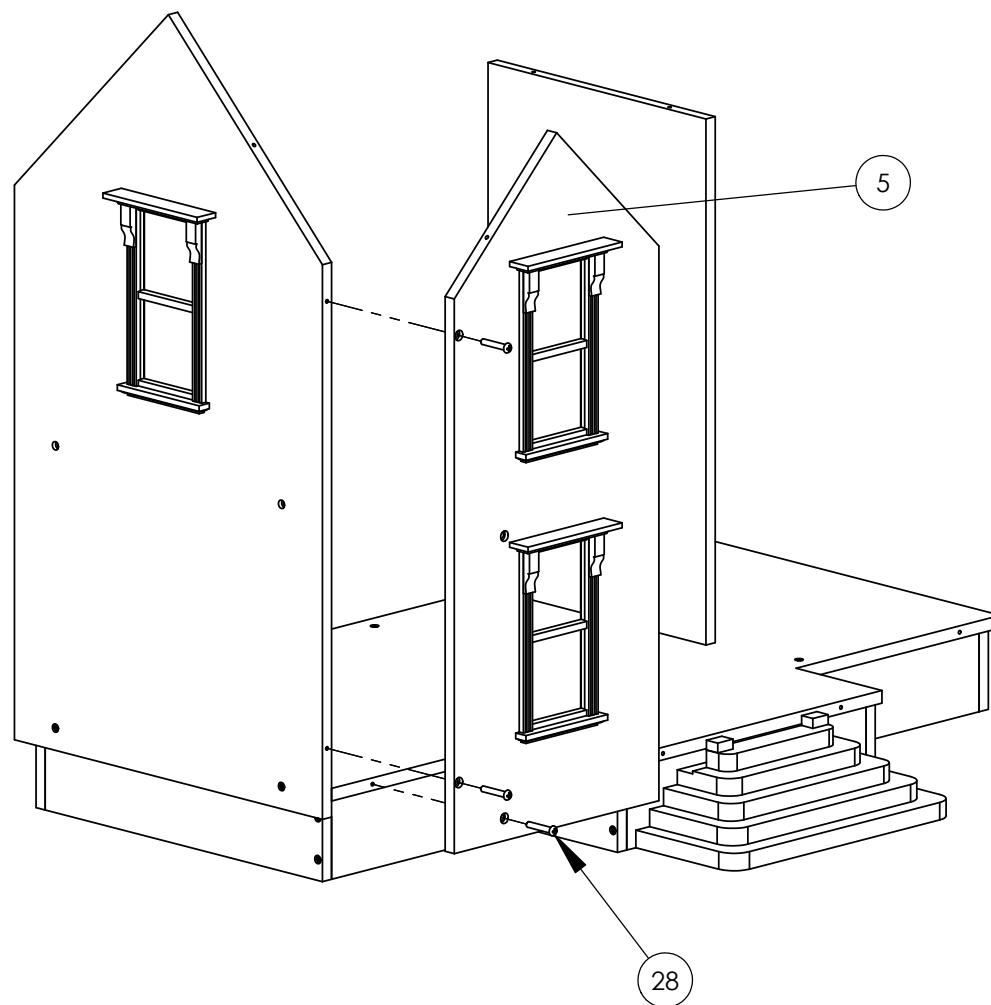
Step 3: Attach floor panel assembly from step 2 to the dollhouse foundation using 5 screws (item 28), as illustrated.



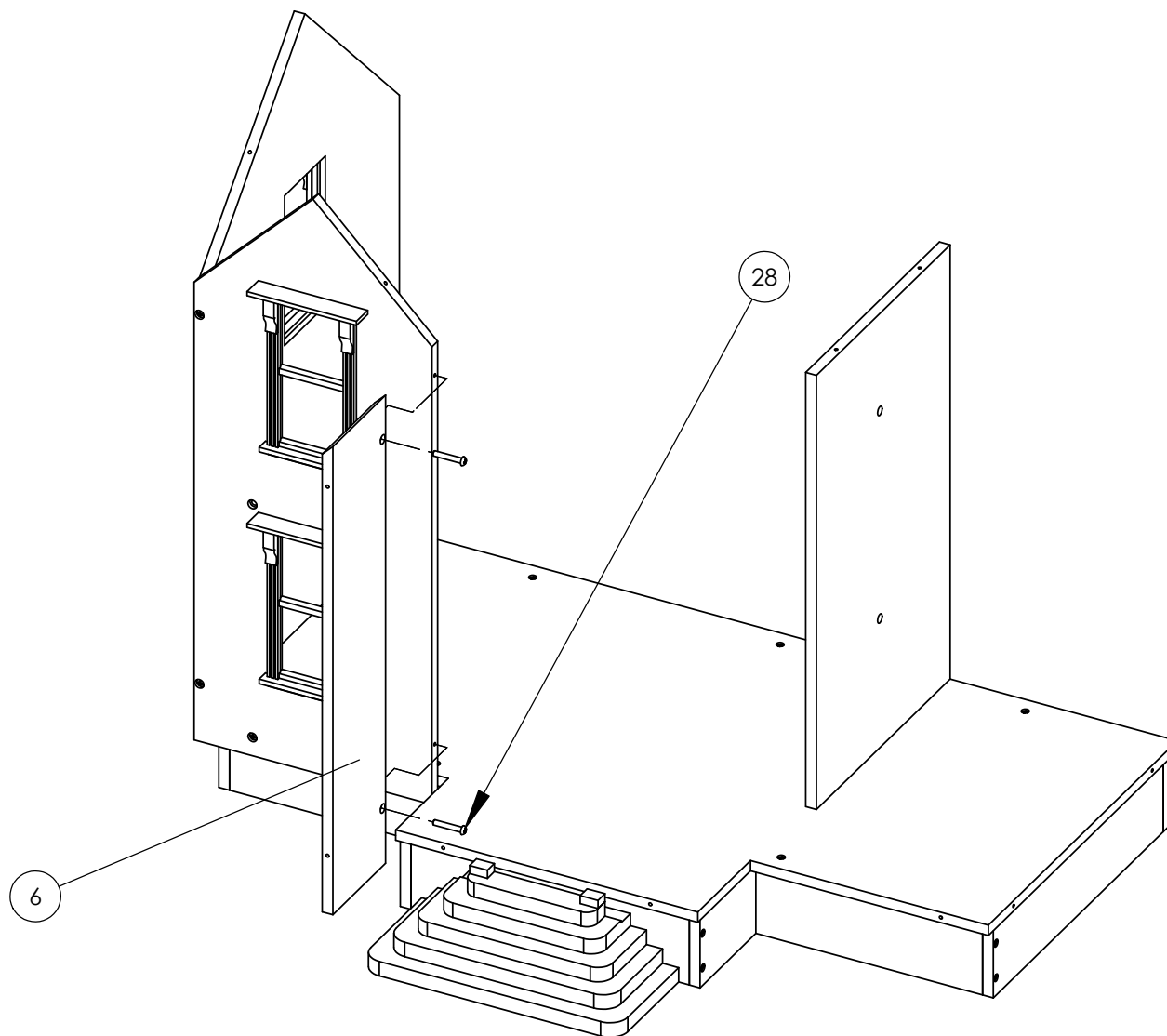
Step 4: Attach Wall Panel 4 with 2 screws (item 28), as illustrated, with window ornamentation facing out.



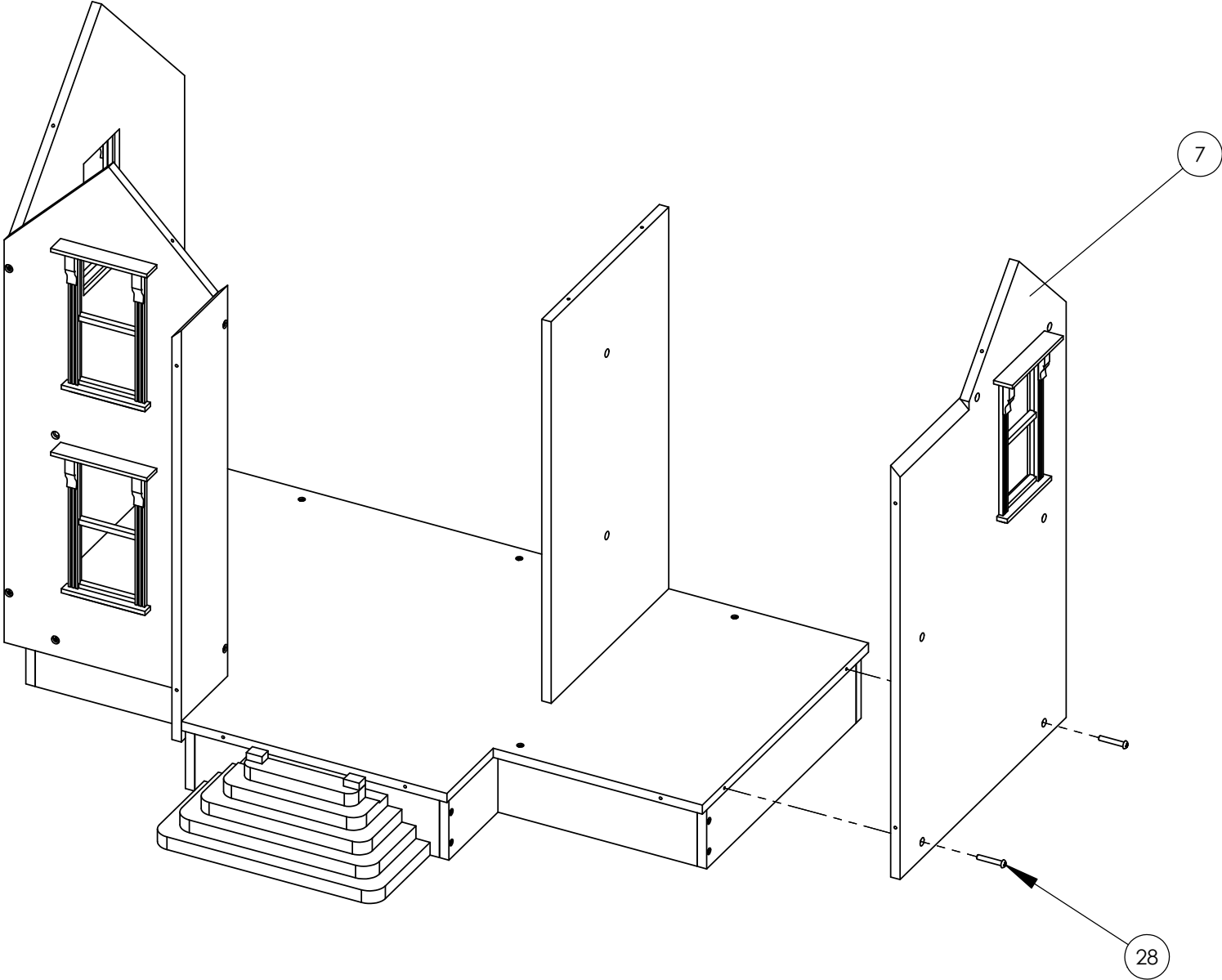
Step 5: Attach Wall Panel 5 with 3 screws (item 28), as illustrated, with window ornamentation facing out.



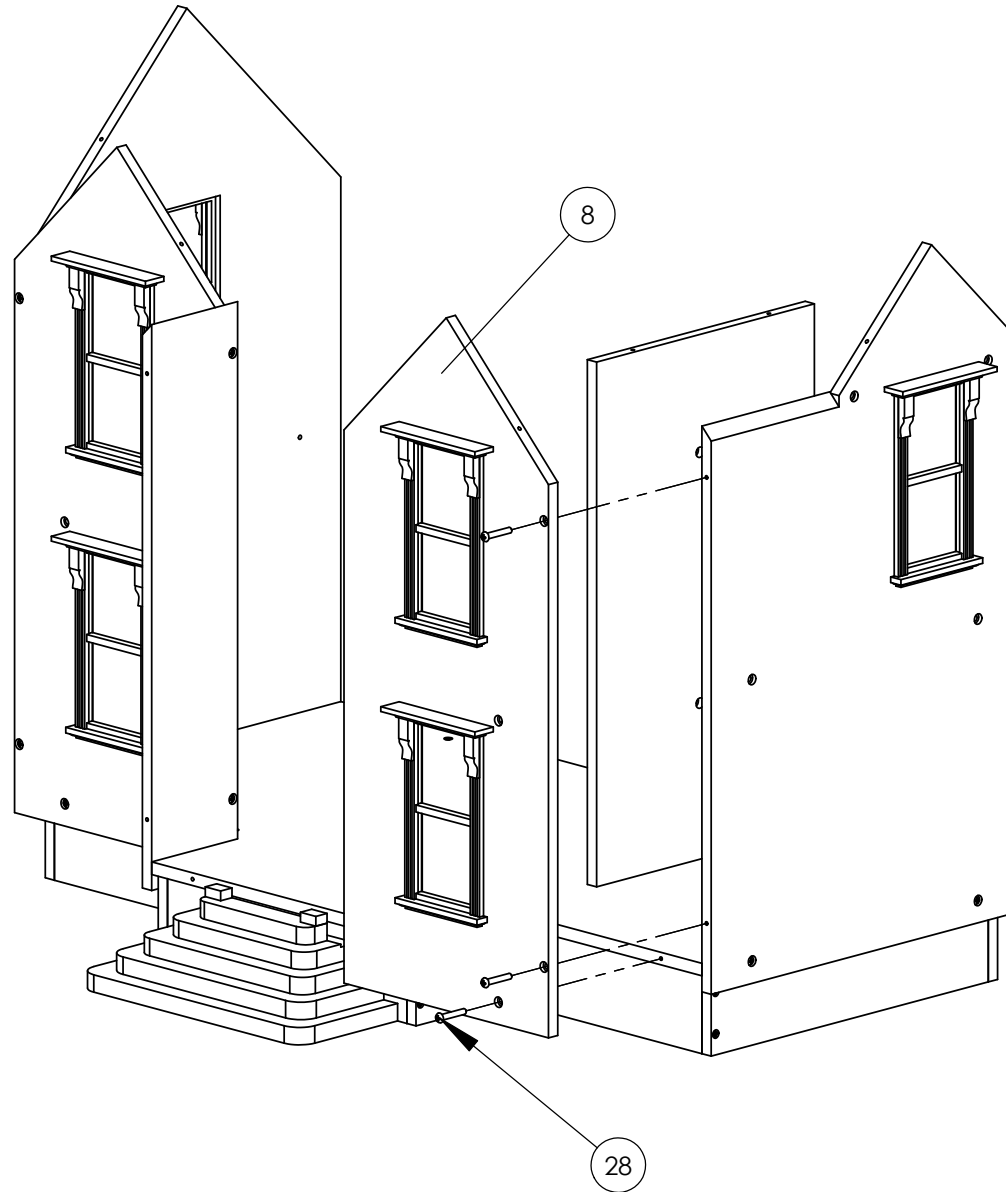
Step 6: With the pink artwork facing away from steps, slide Wall Panel 6 into position and secure with 2 screws (item 28), as illustrated.



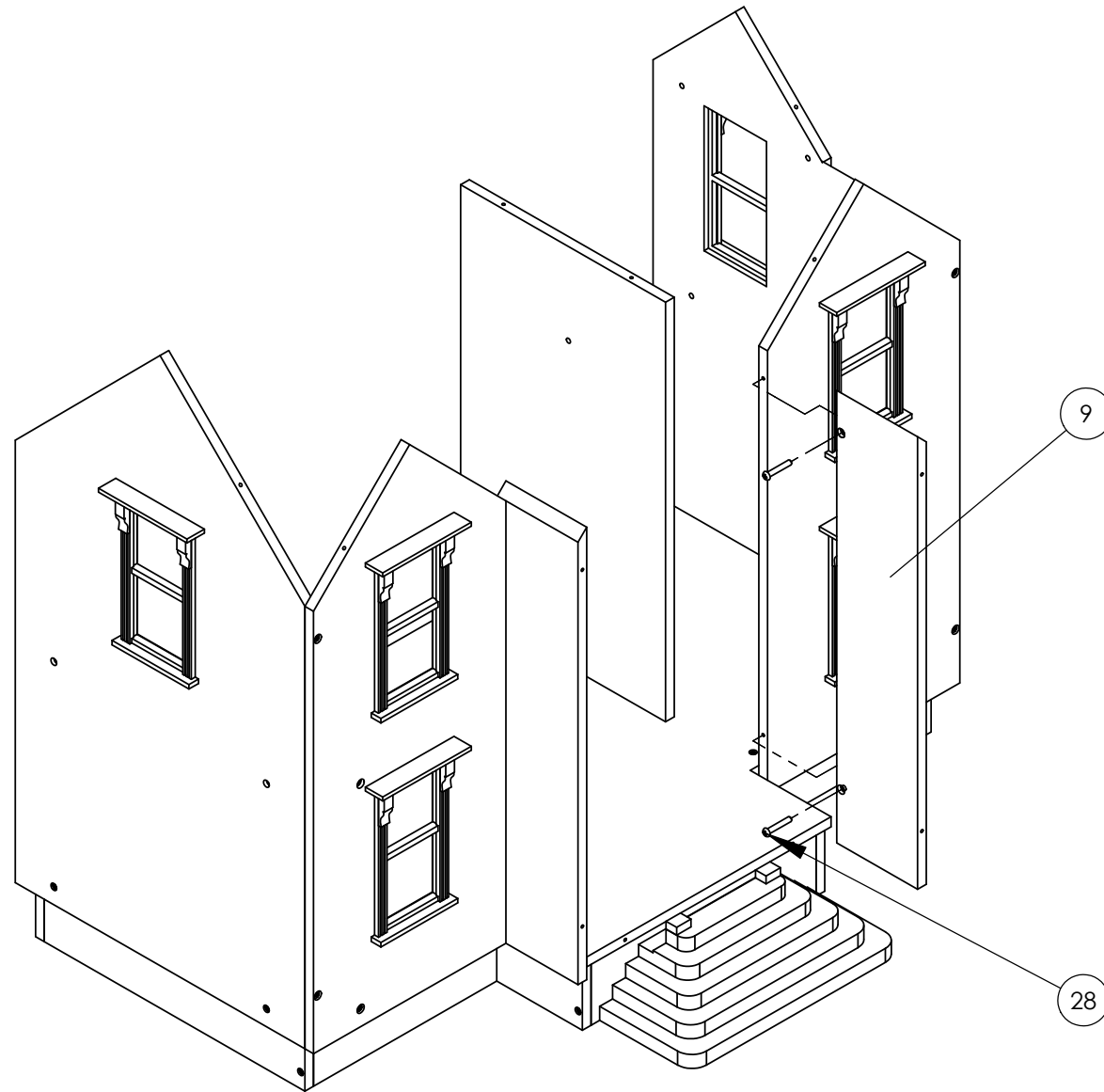
Step 7: Attach Wall Panel 7 with 2 screws (item 28), as illustrated, with window ornamentation facing out.



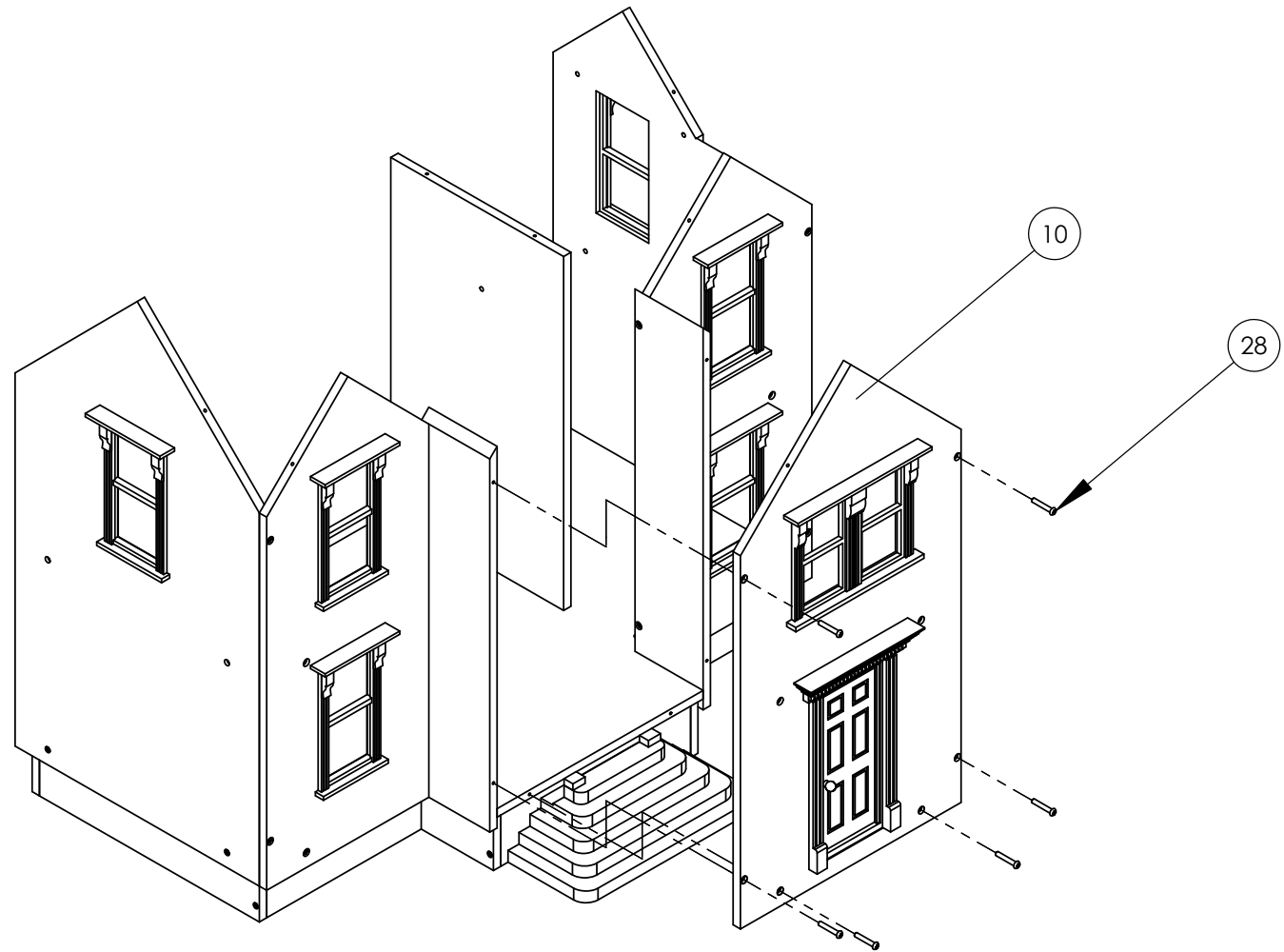
Step 8: Attach Wall Panel 8 with 3 screws (item 28), as illustrated, with window ornamentation facing out.



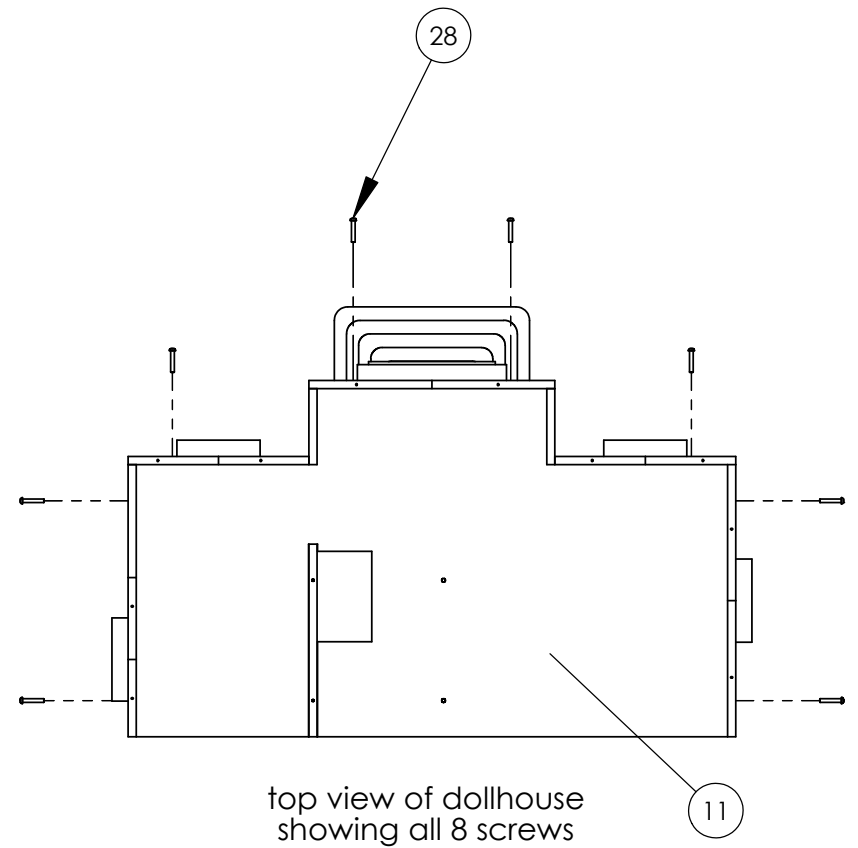
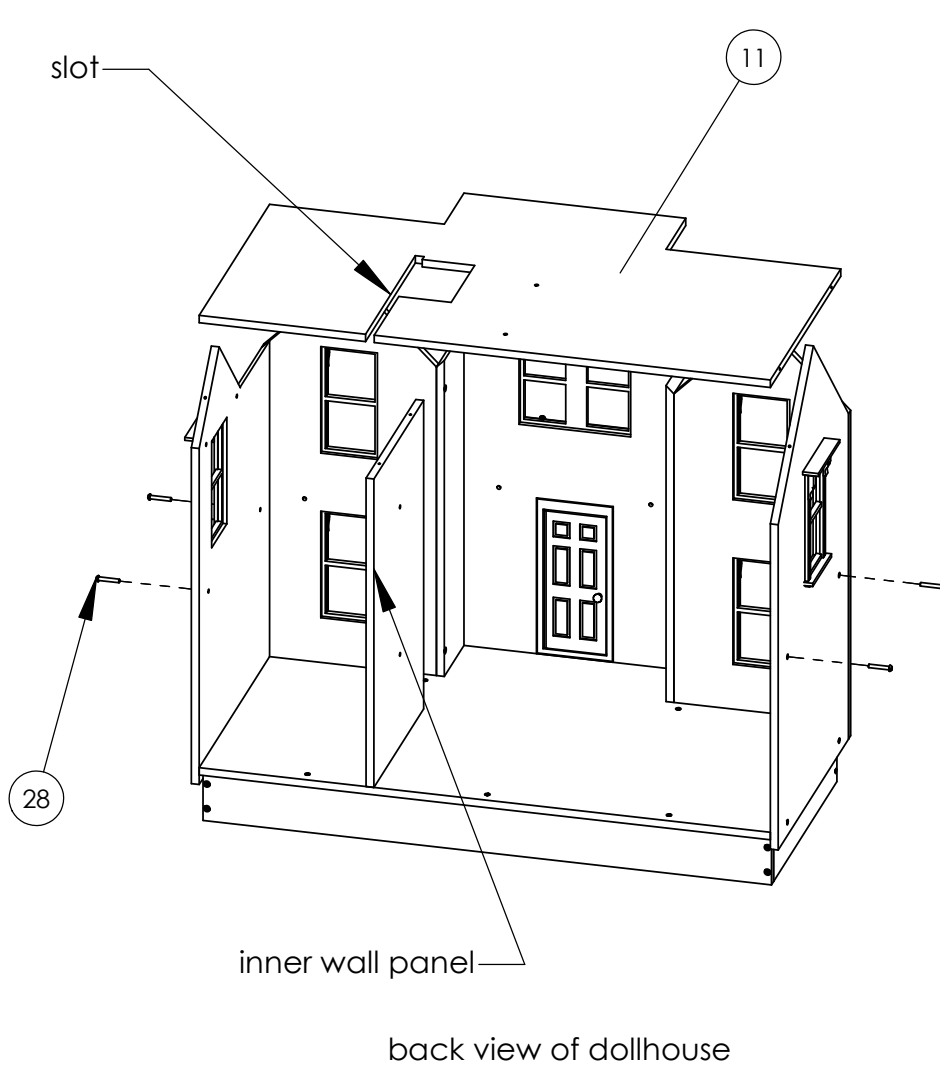
Step 9: With the pink artwork facing out, slide Wall Panel 9 into position and secure with 2 screws (item 28), as illustrated.



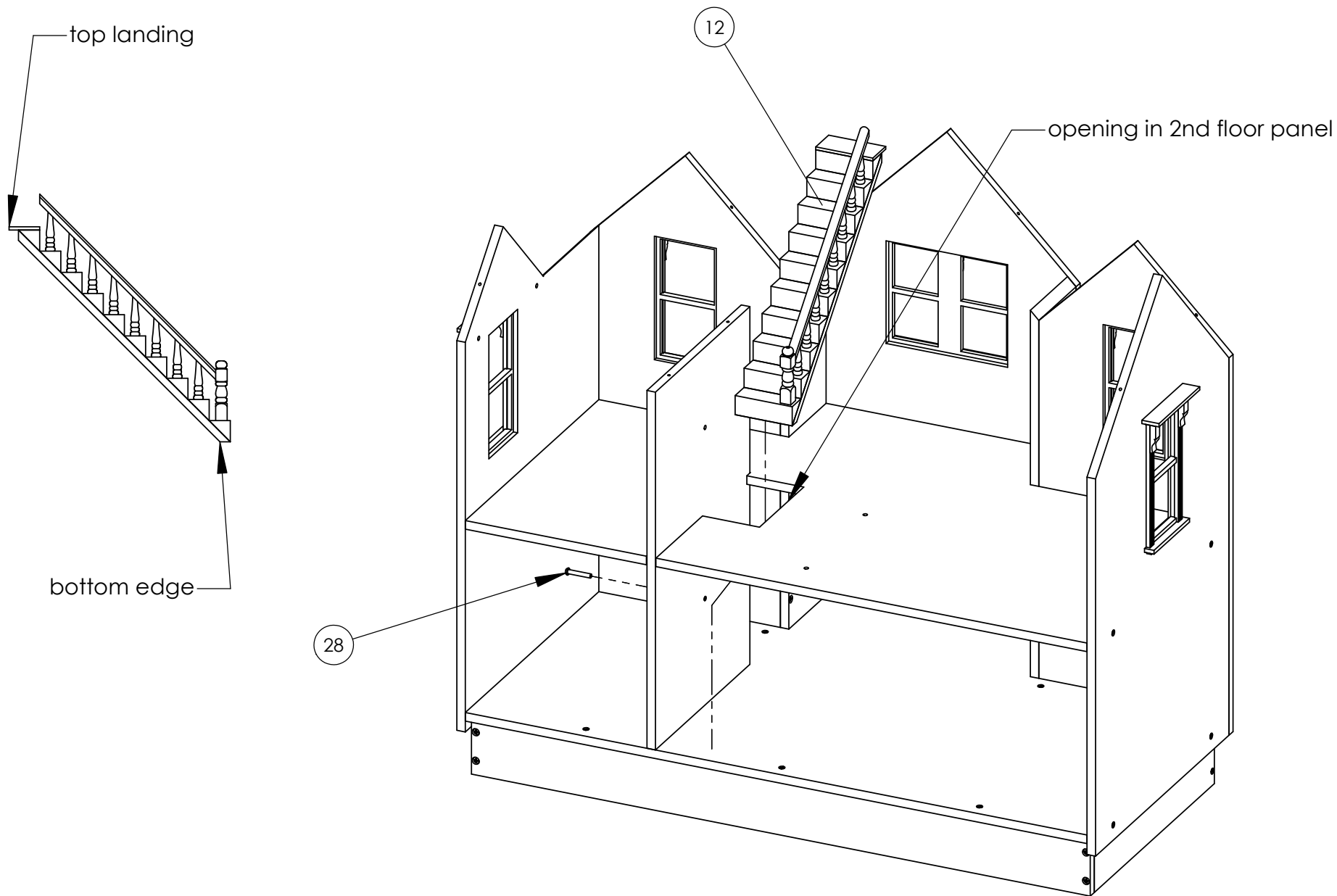
Step 10: Place the bottom edge of Wall Panel 10 into the slot behind the front steps , and attach to the dollhouse with 6 screws (item 28), as illustrated. Window ornamentation should be facing out.



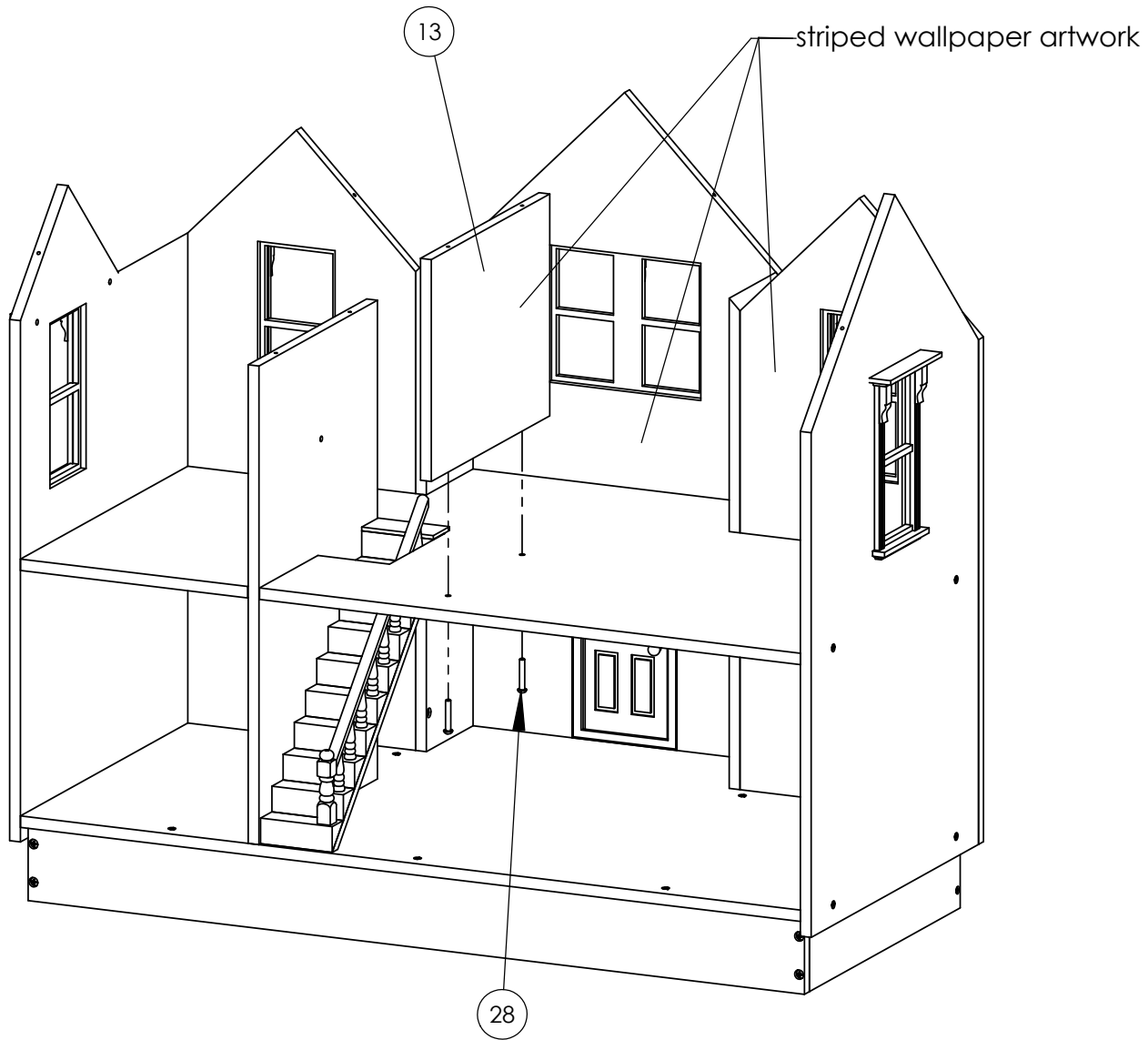
Step 11: Position Floor Panel 11 as shown below. Next, fit the slot in Floor Panel 11 over the inner wall panel, and slide it down until the holes in its edges align with the 8 holes in the surrounding wall panels. Secure Floor Panel 11 to the surrounding wall panels with 8 screws (item 28), as illustrated in the top view diagram.



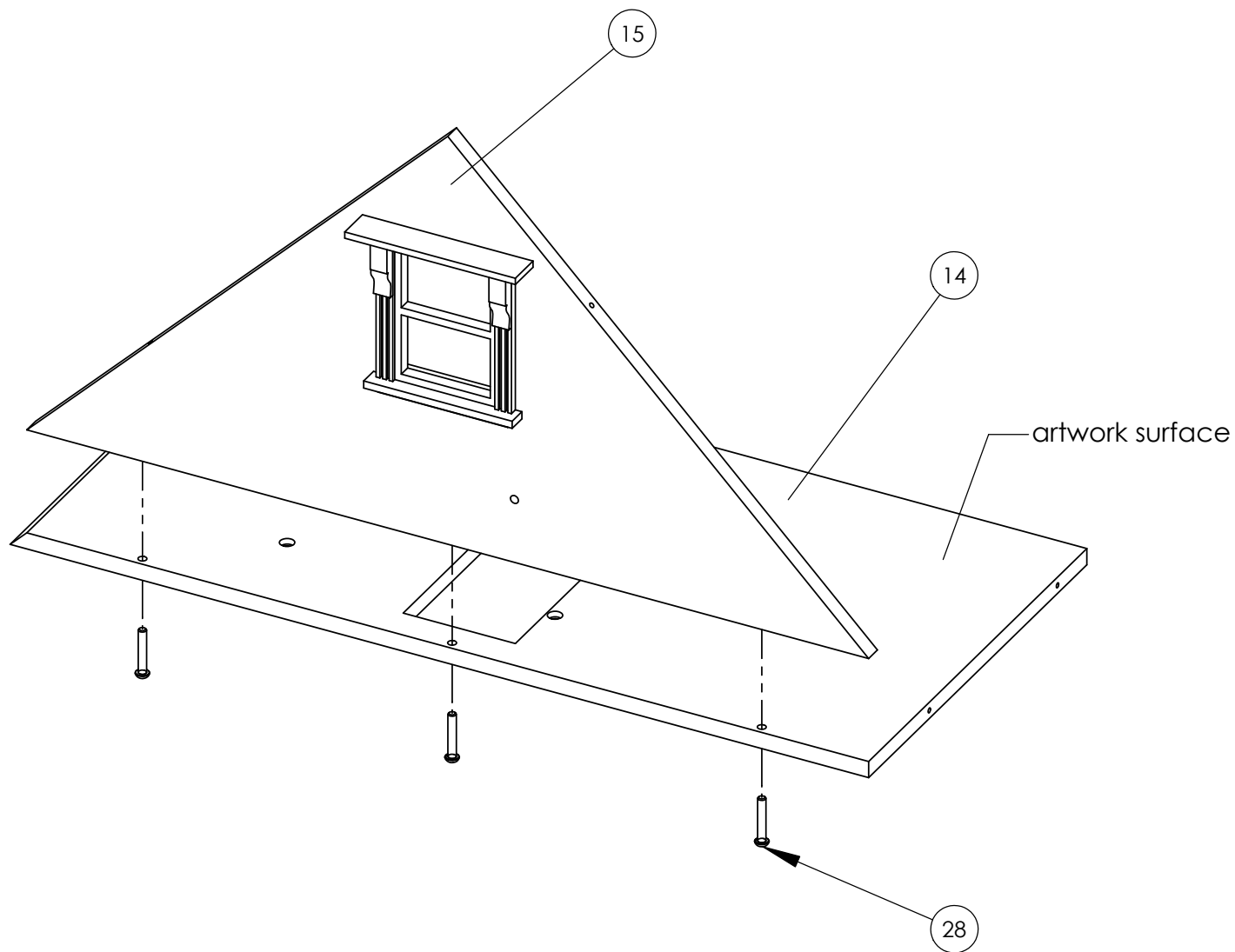
Step 12: Attach Staircase Assembly 12 by sliding it down through the opening in Floor Panel 11, as illustrated. Place the staircase flat against the wall panel, with the top landing of the staircase resting on Floor Panel 11 (2nd floor panel). Secure with 1 screw (item 28) inserted through the opposite side of the wall panel.



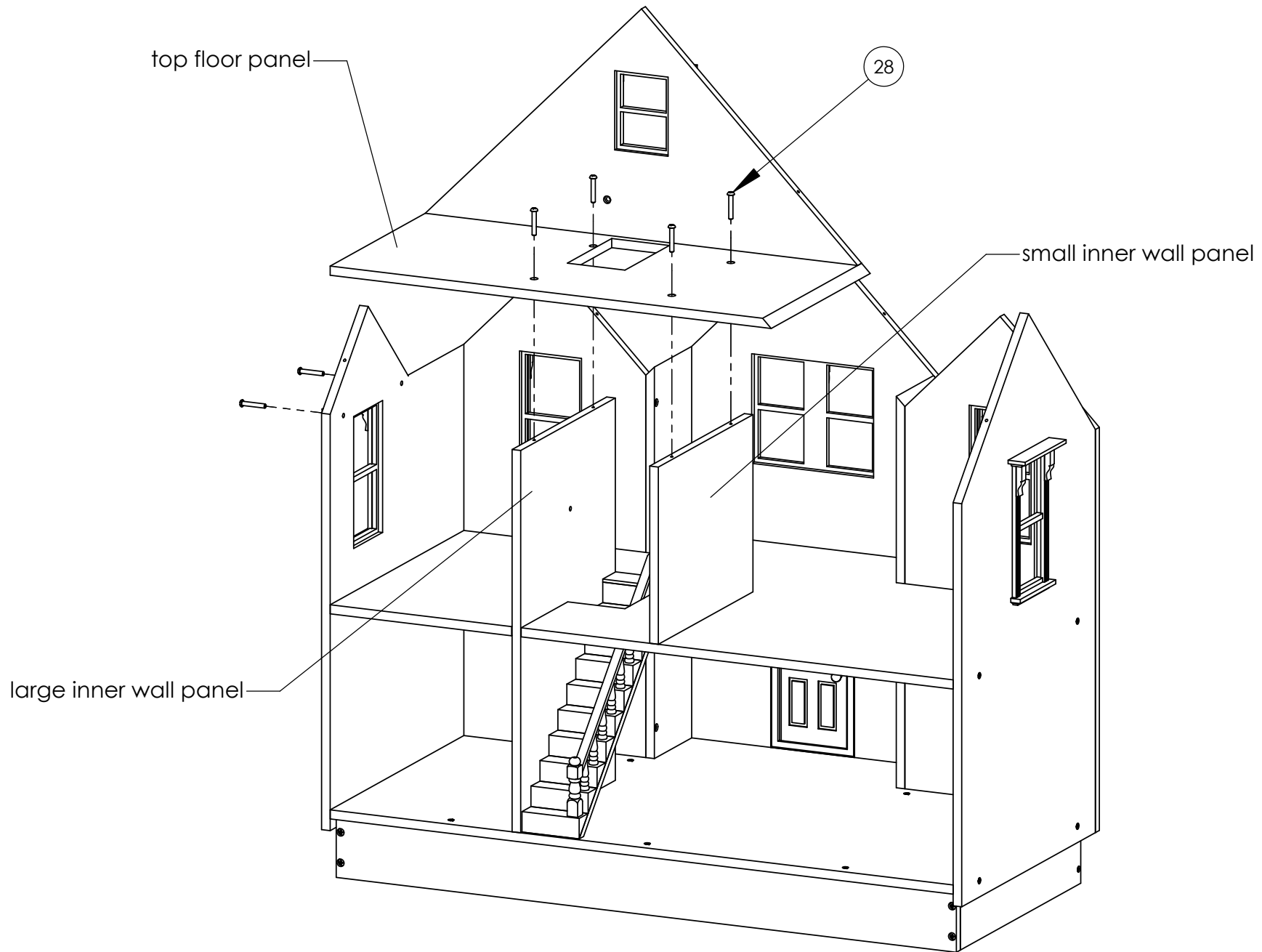
Step 13: With the striped wallpaper pattern facing right, align Wall Panel 13 with the two remaining holes in Floor Panel and secure with 2 screws (item 28) inserted from underneath the floor panel. See illustration.



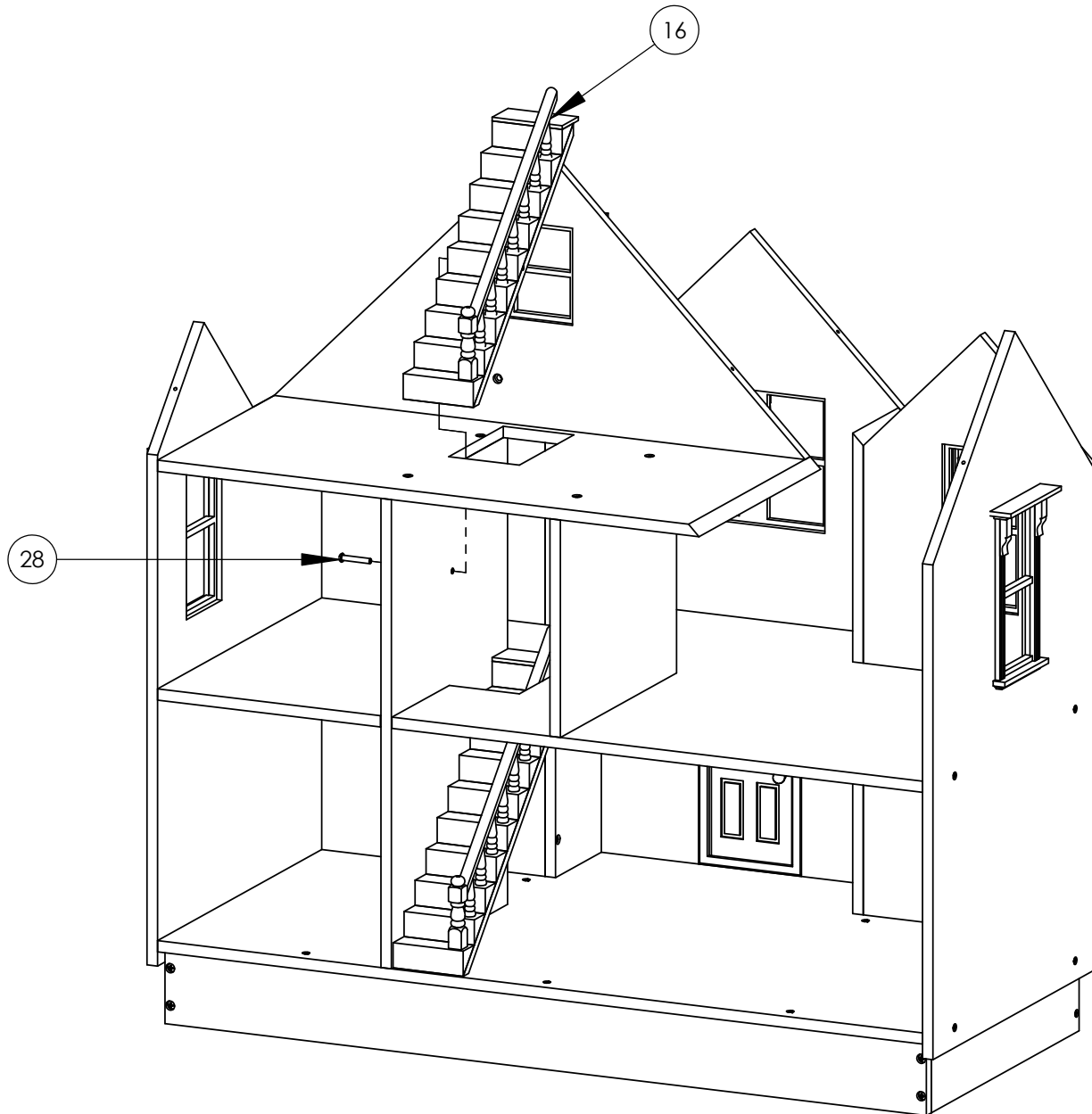
Step 14: Make sure that the artwork surface of Floor Panel 14 is facing up and the window ornamentation on Wall Panel 15 is facing out, then secure these panels together with 3 screws (item 28) inserted from underneath, as illustrated.



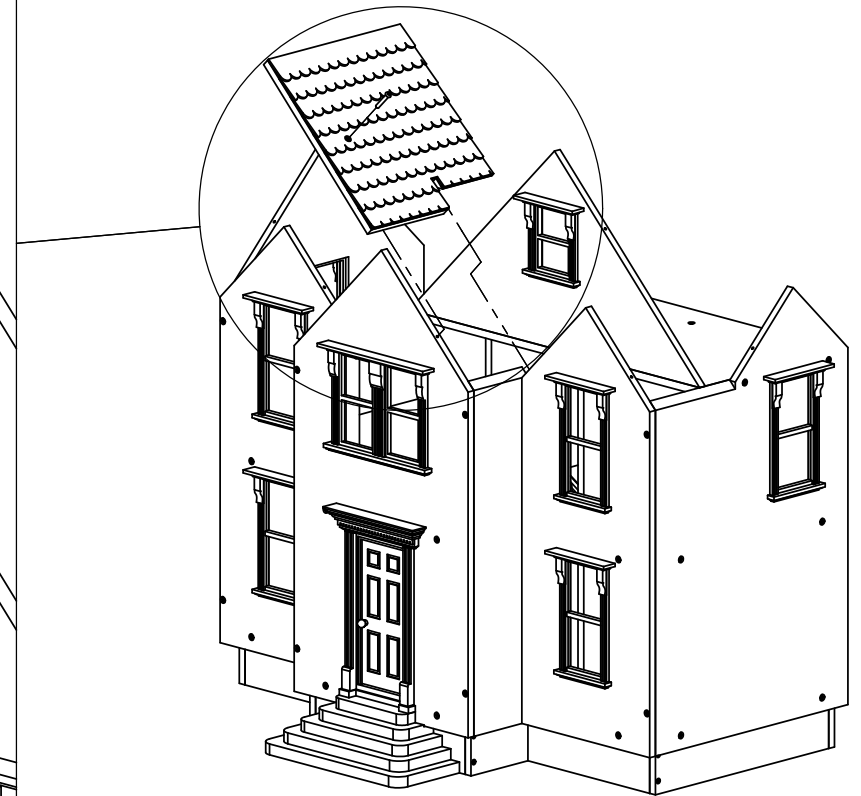
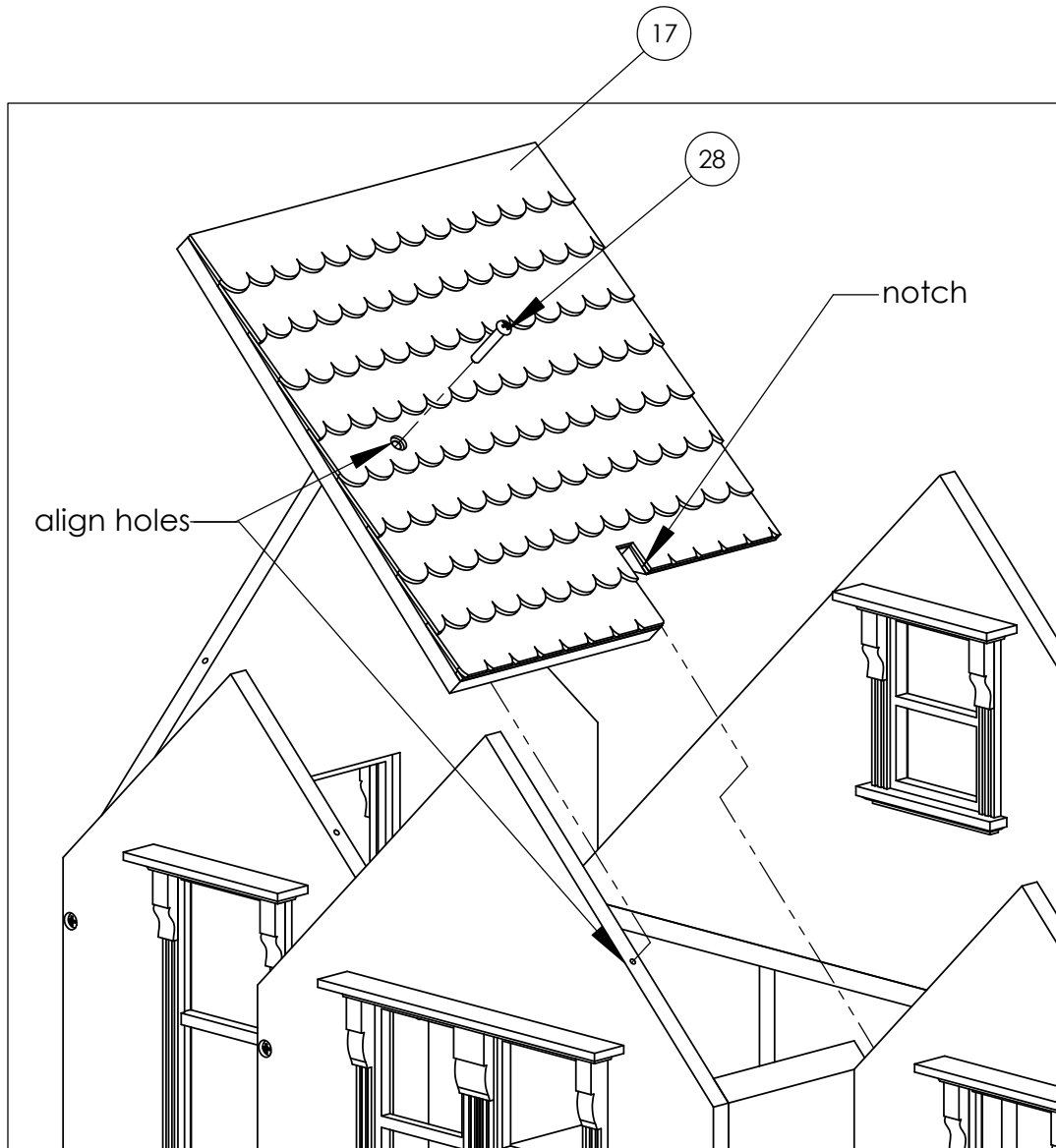
Step 15: Attach the floor assembly just completed in Step 14 to the main dollhouse assembly by aligning the 4 holes in the floor with the 4 holes on the inner wall panels. The 2 holes on the edge of the floor panel should also be aligned with the holes on the outer wall panel, as illustrated. Secure with 6 screws (item 28).



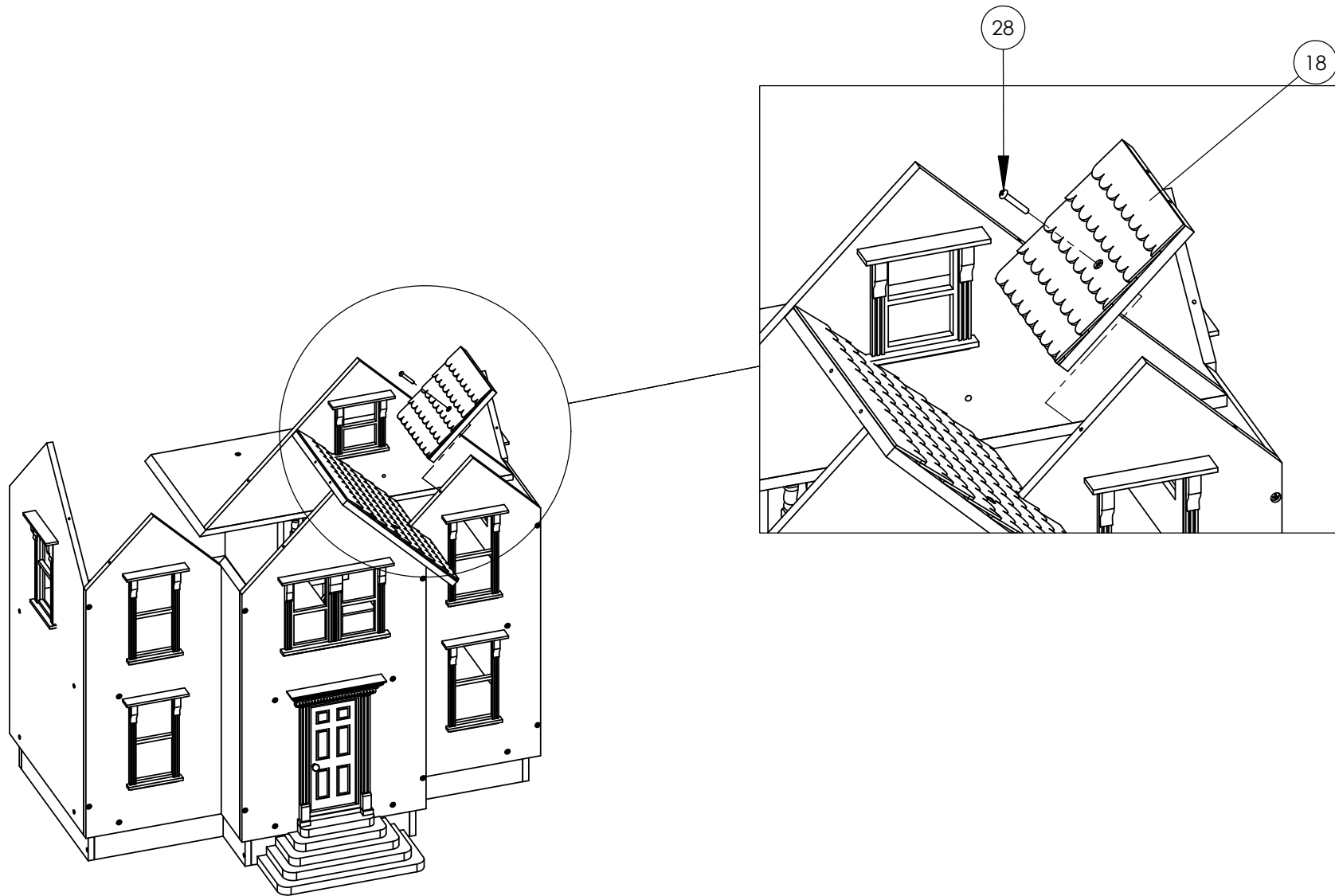
Step 16: Attach Staircase Assembly 16 by sliding it down through the opening in Floor Panel 14, as illustrated. Place the staircase flat against the wall panel, with the top landing of the staircase resting on Floor Panel 14. Secure with 1 screw (item 28) inserted through the opposite side of the wall panel.



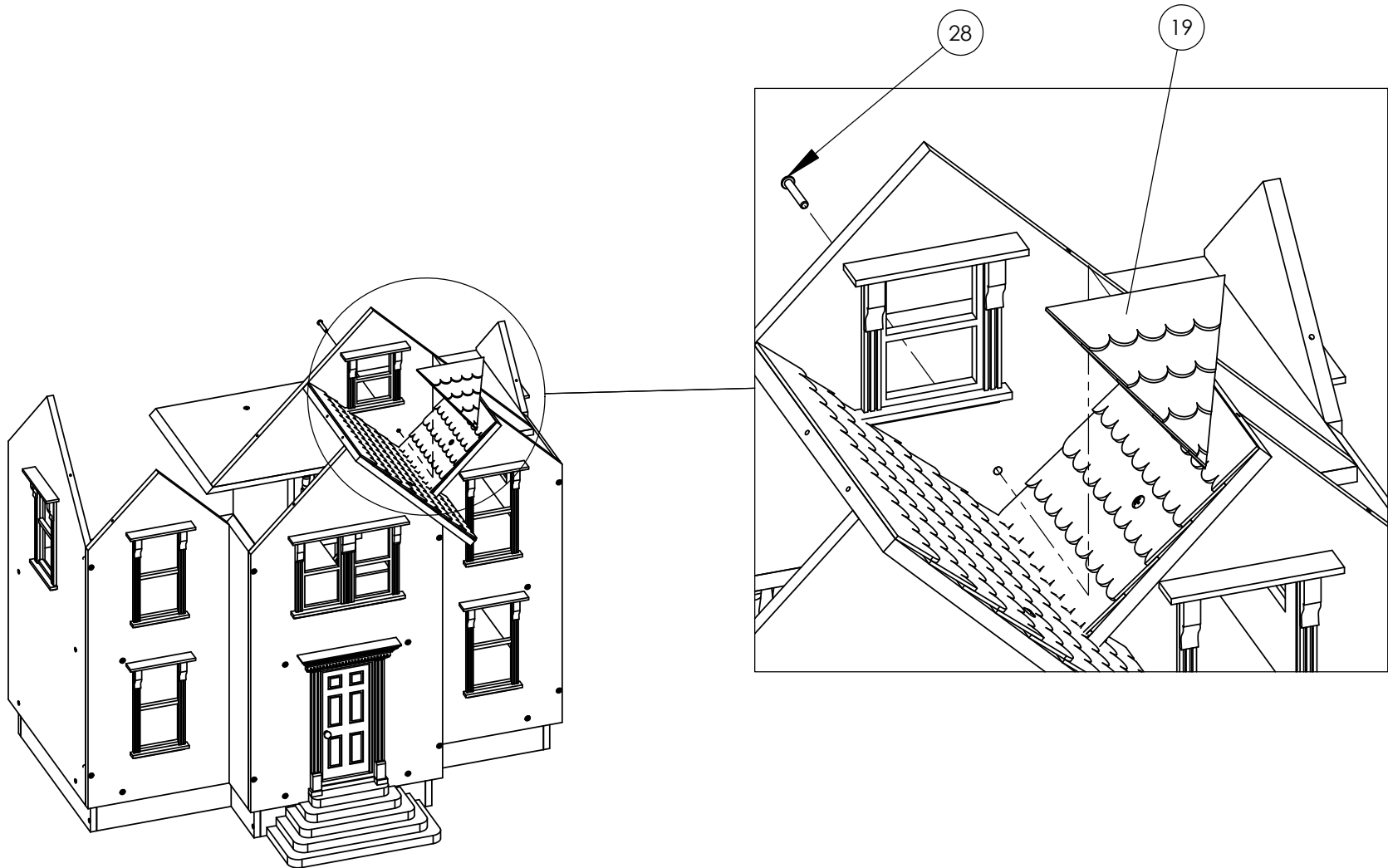
Step 17: Attach Roof Panel 17 by sliding the notch around the intersecting wall. Then align the hole in Roof Panel 17 with the hole in the top edge of the outer wall panel and secure with 1 screw (item 28), as illustrated.



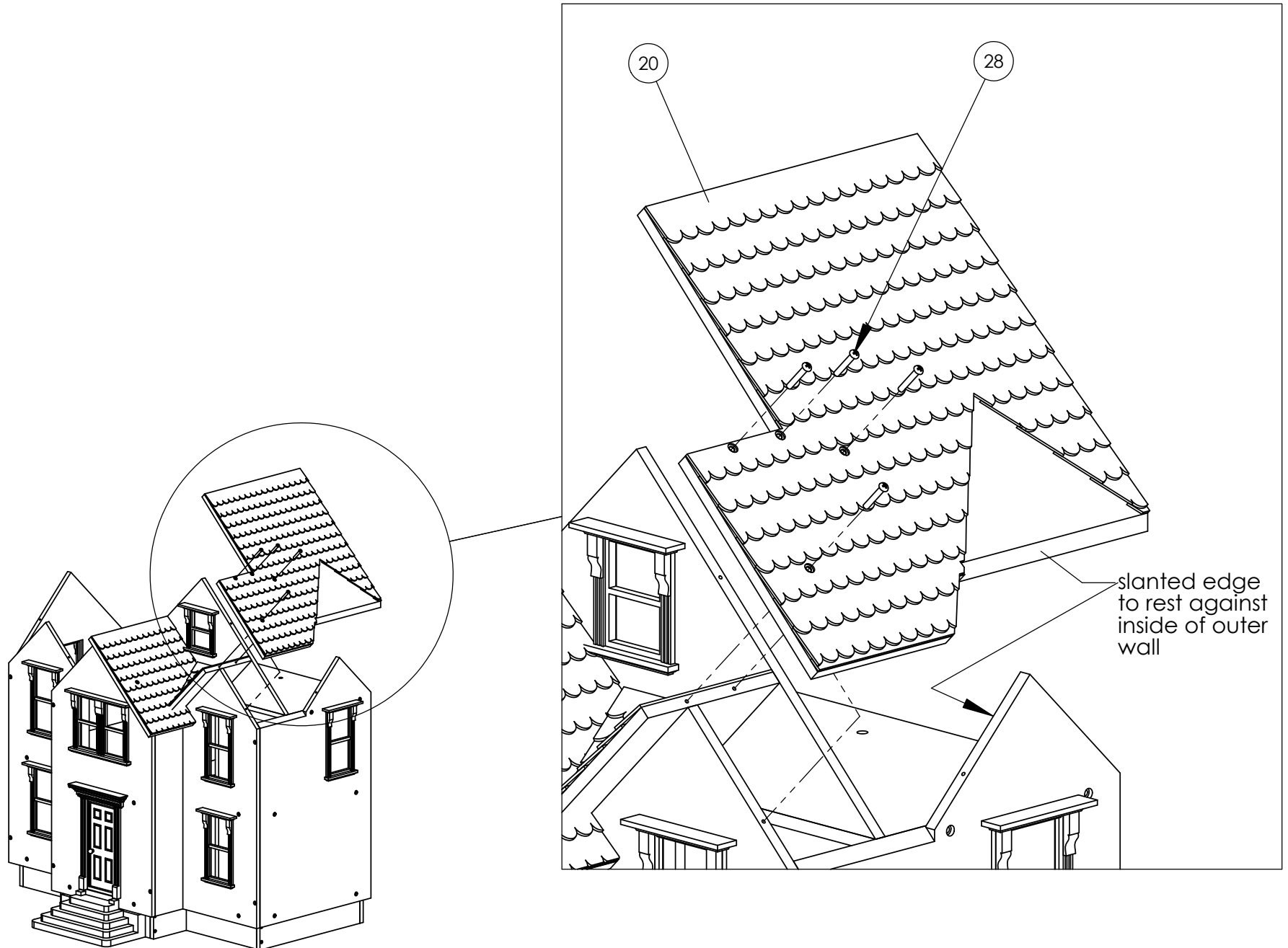
Step 18: Attach Roof Panel 18 by aligning its hole with the hole in the top edge of the outer wall panel, as illustrated. Secure with 1 screw (item 28).



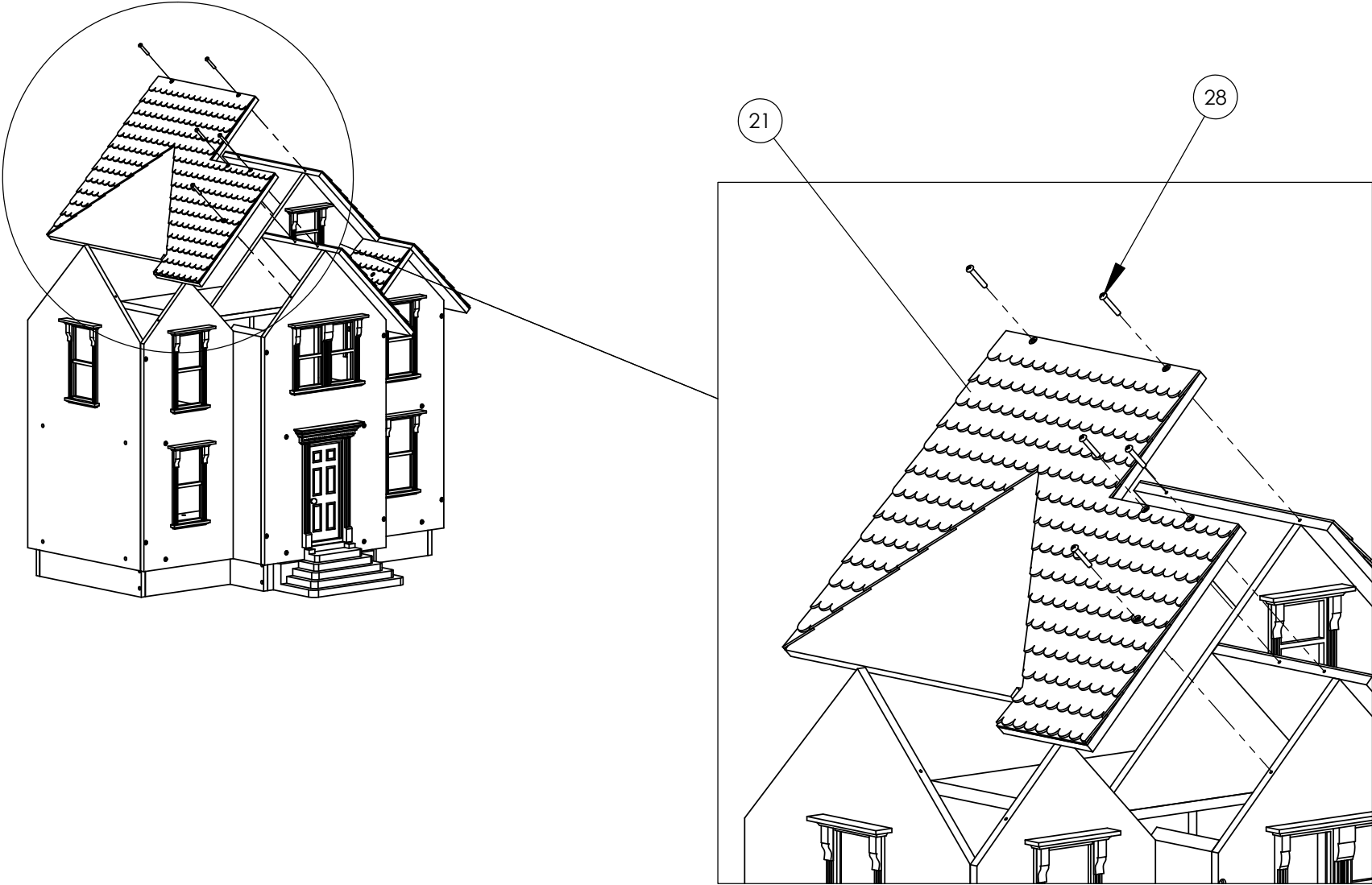
Step 19: Attach Roof Panel 19 with 1 screw(item 28) inserted from the interior side of the wall panel, as illustrated.



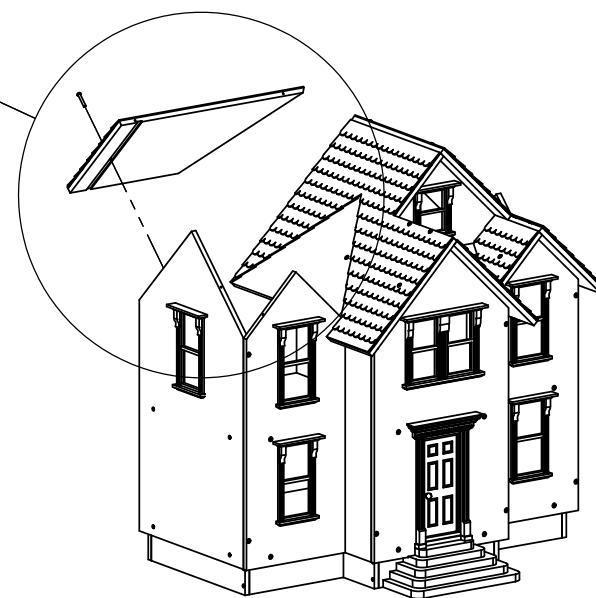
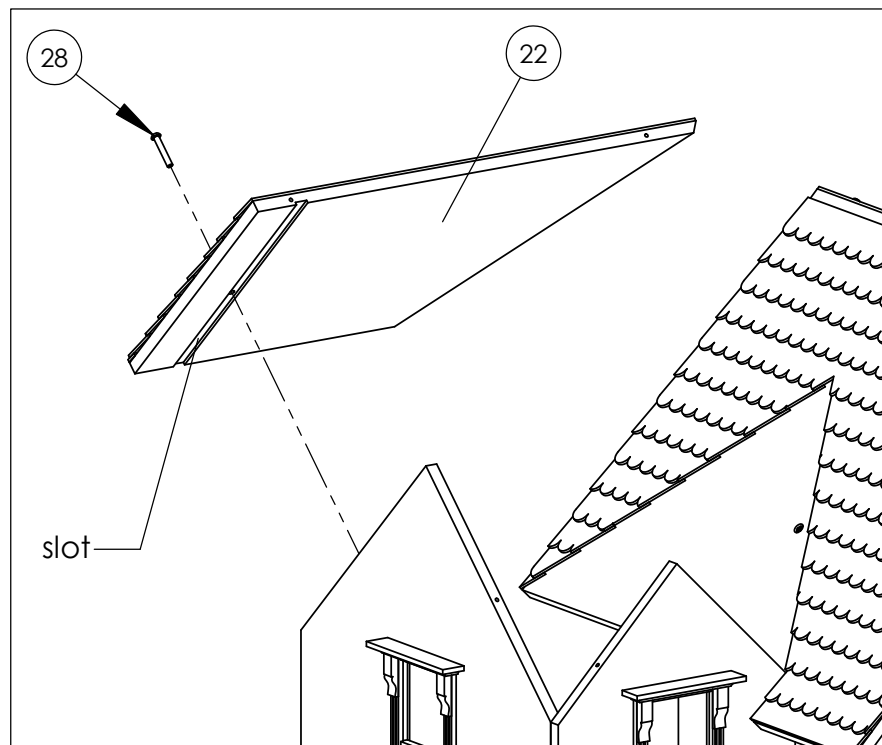
Step 20: Attach Roof Panel 20 with 4 screws (item 28), as illustrated.



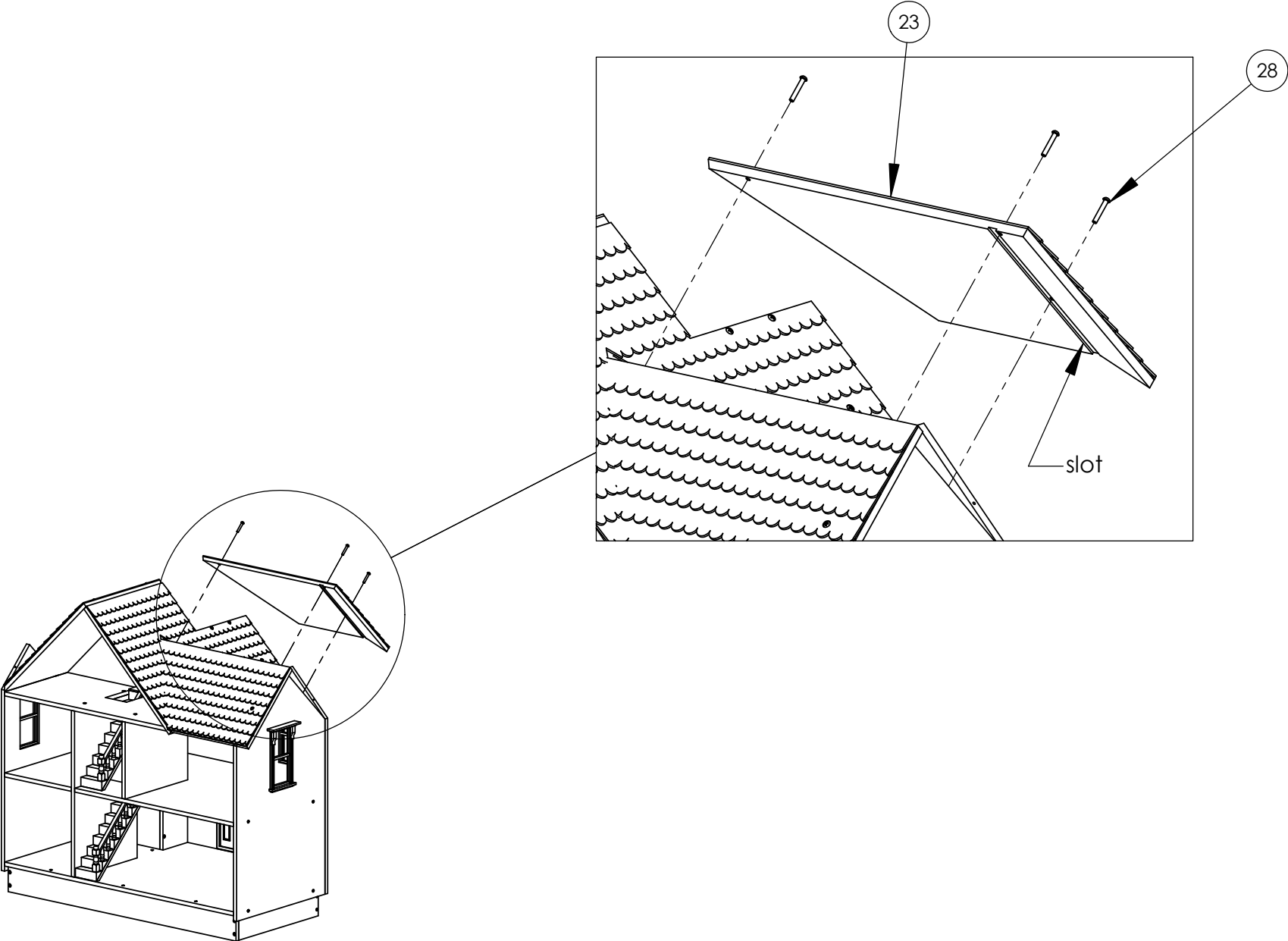
Step 21: Attach Roof Panel 21 with 5 screws (item 28), as illustrated.



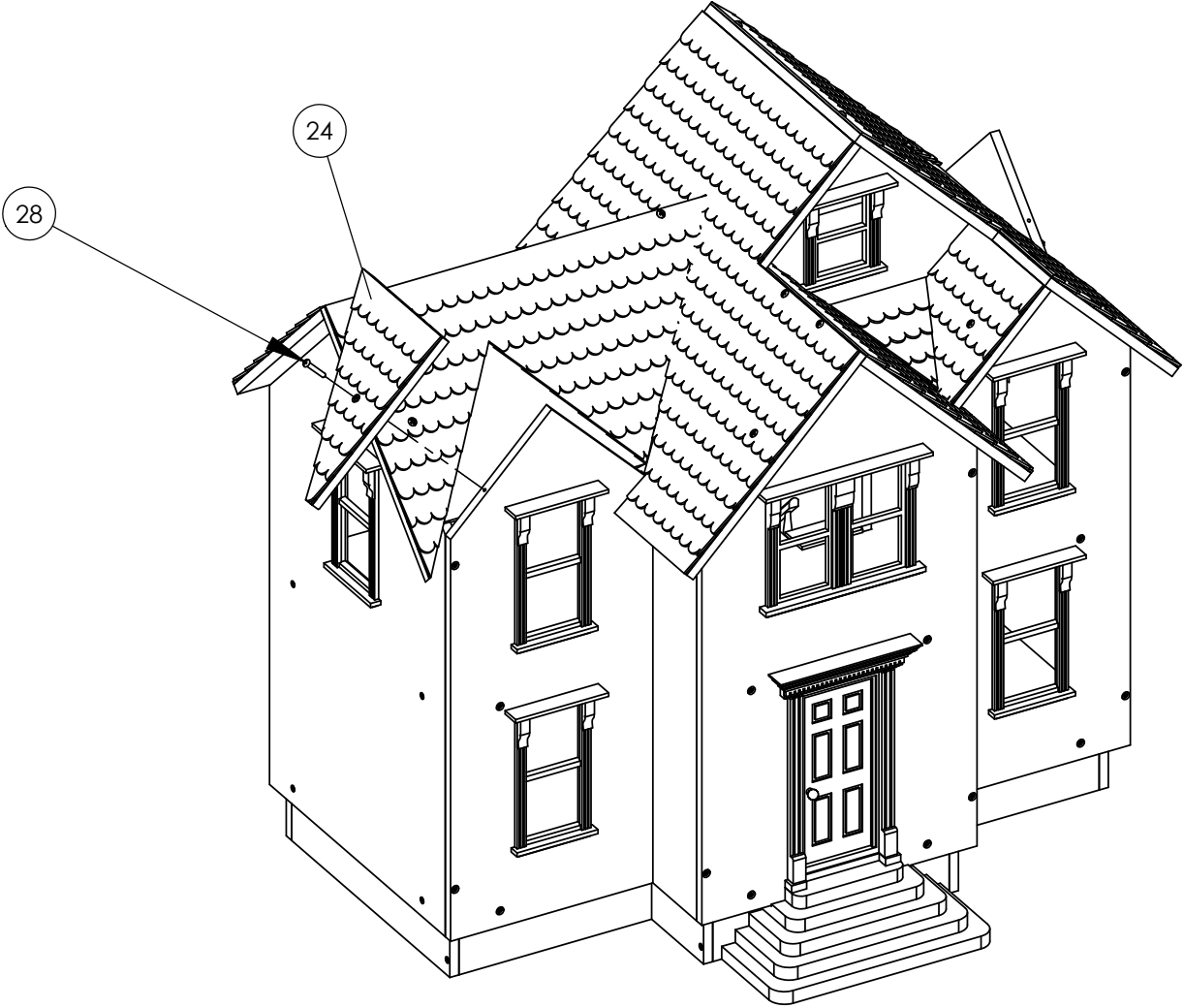
Step 22: Attach Roof Panel 22 by pressing the slot on its underside firmly over the top edge of the outer wall, as illustrated. Secure with 1 screw (item 28).



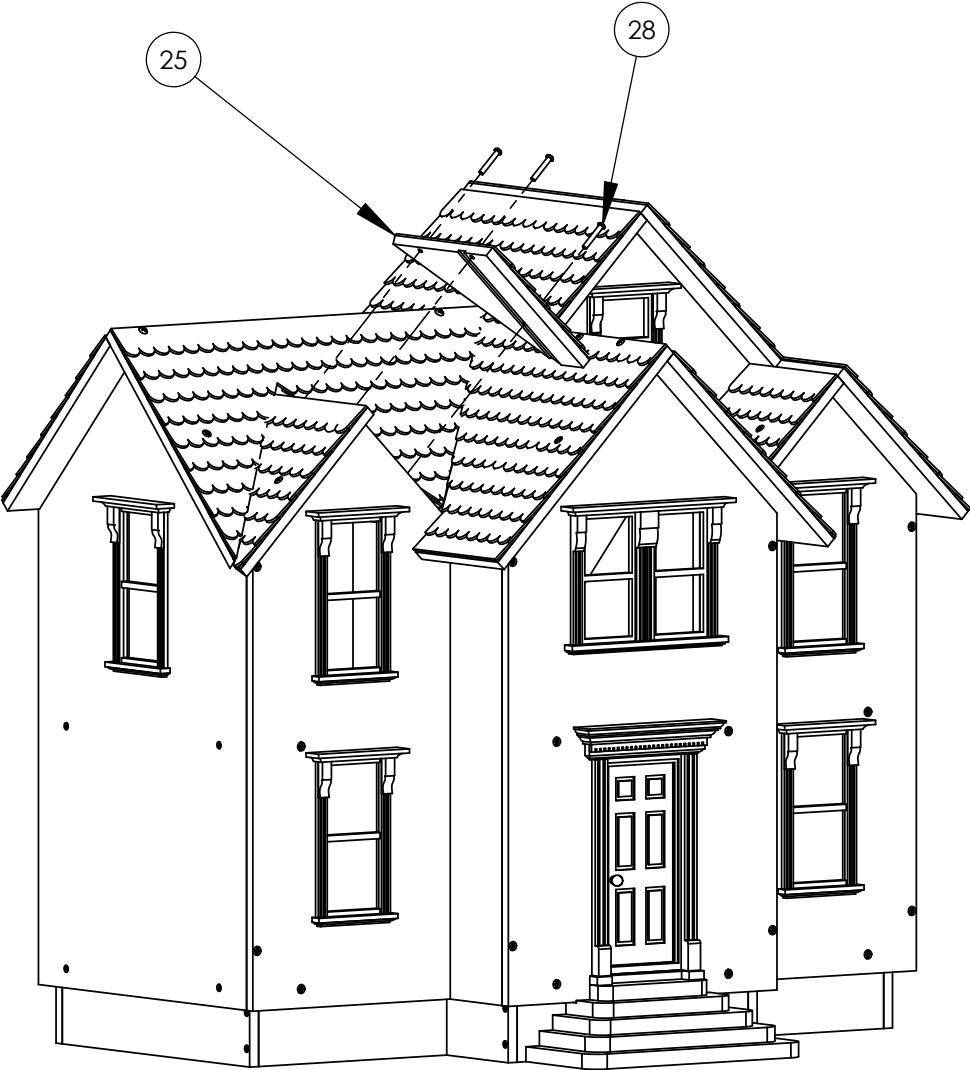
Step 23: Attach Roof Panel 23 by placing its cutout slot firmly on the top edge of the outer wall, as illustrated. Secure with 3 screws (item 28).



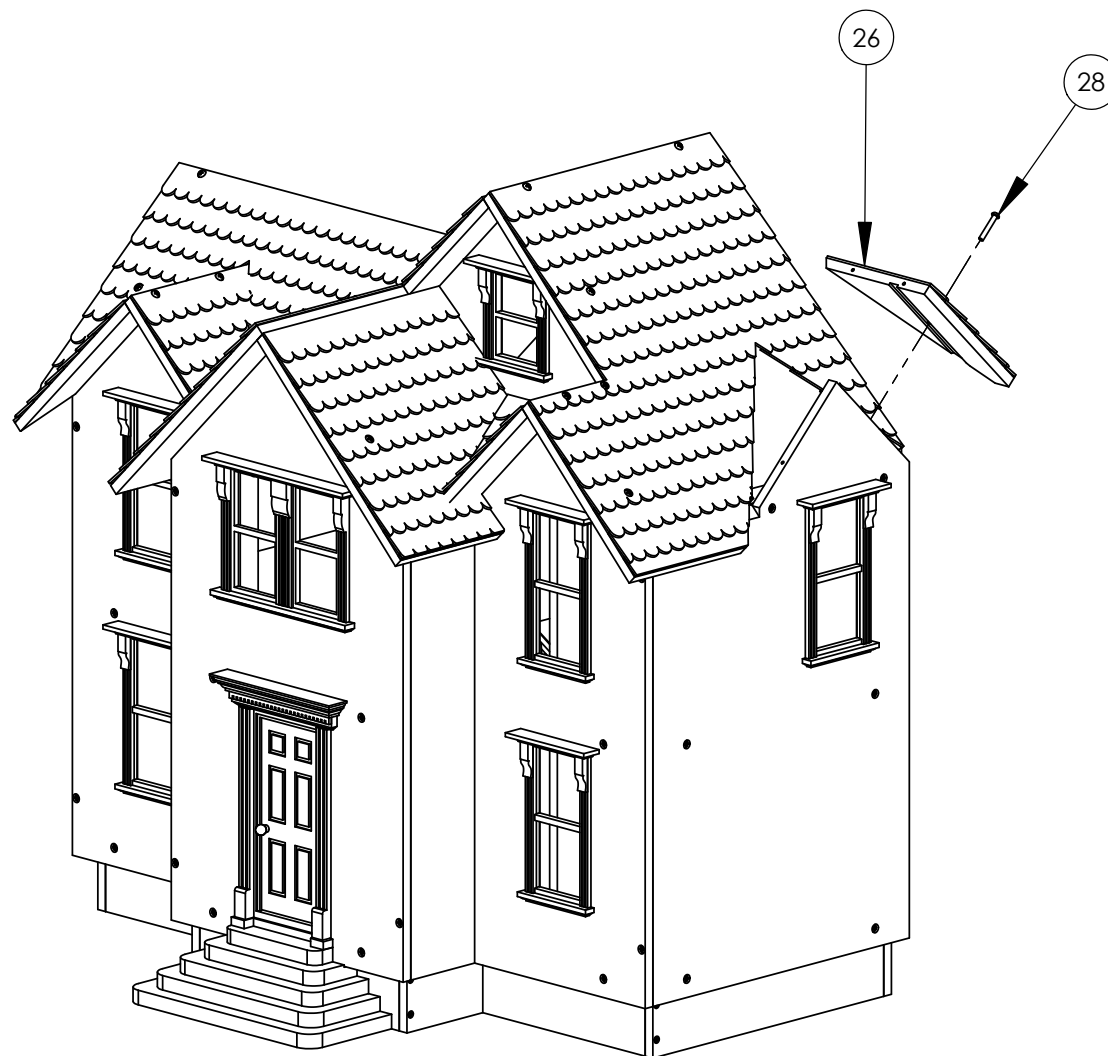
Step 24: Attach Roof Panel 24 by placing its cutout slot firmly on the top edge of the outer wall, as illustrated. Secure with 1 screw (item 28).



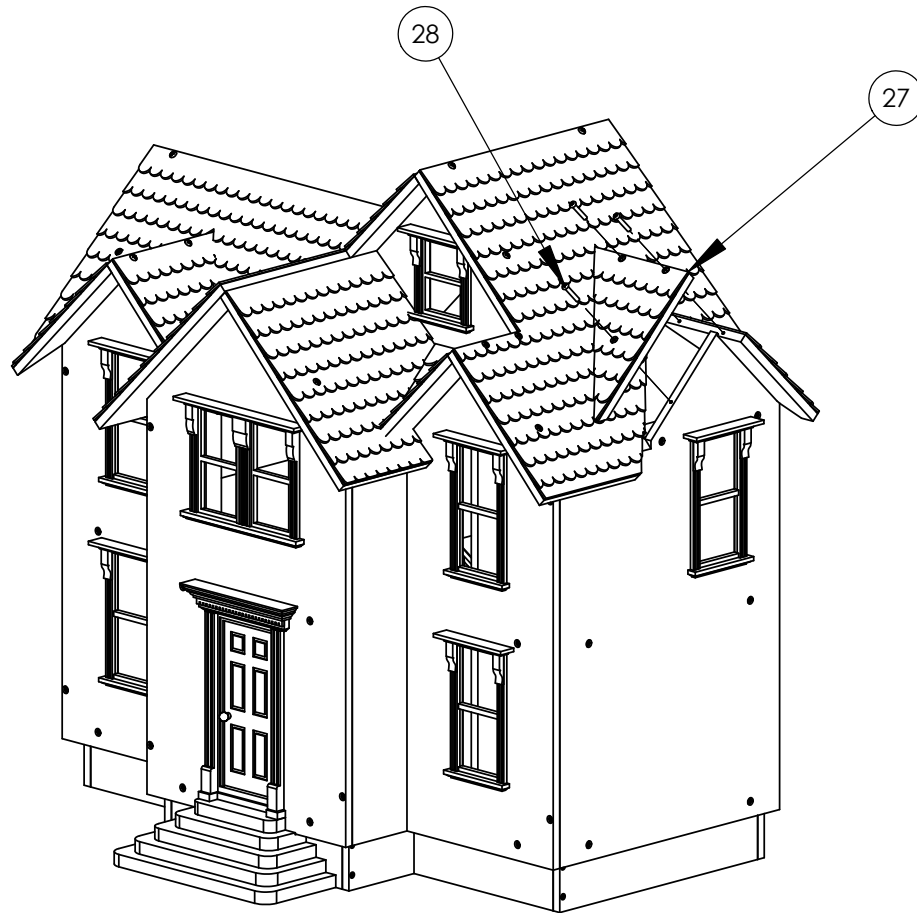
Step 25: Attach Roof Panel 25 by placing its cutout slot firmly on the top edge of the outer wall, as illustrated. Secure with 3 screws (item 28).



Step 26: Attach Roof Panel 26 by placing its cutout slot firmly on the top edge of the outer wall, as illustrated. Secure with 1 screw (item 28).



Step 27: Attach Roof Panel 27 by placing its cutout slot firmly on the top edge of the outer wall, as illustrated. Secure with 3 screws (item 28).



*Optional installation-Proceeding with Step 28 will prevent the dollhouse from being neatly disassembled!

Step 28: For a dollhouse with a smoother appearance, matching wooden plugs have been included to conceal exterior screw mounting holes. To install these plugs, select the proper color and apply a small amount of glue to one end, then firmly press a plug into each mounting hole. For interior screw mounting holes, circular swatches with various artwork have been included. Simply select a matching artwork pattern and glue over the mounting holes.

Allow sufficient drying time before play time use.

