



Cook's Corner Kitchen

Assembly Instructions



 **CAUTION:**
Adult assembly required

 **WARNING:**
CHOKING HAZARD - Small parts
Not for children under 3 years

We care about your comments
Please call us! 1-800-284-3948

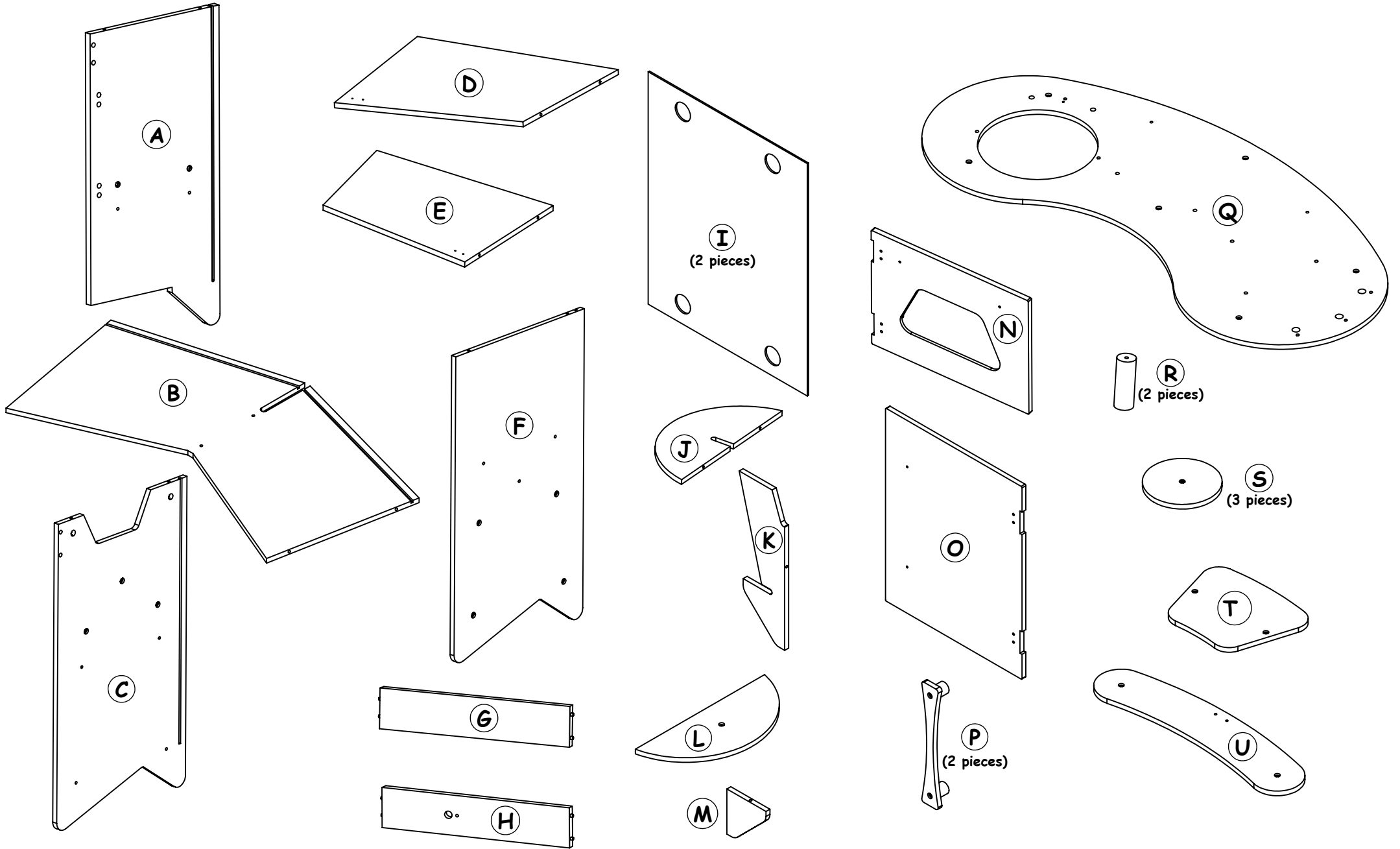
www.MelissaAndDoug.com

Item #3950

© 2010 Melissa & Doug, LLC
All rights reserved
1011

Cook's Corner Kitchen

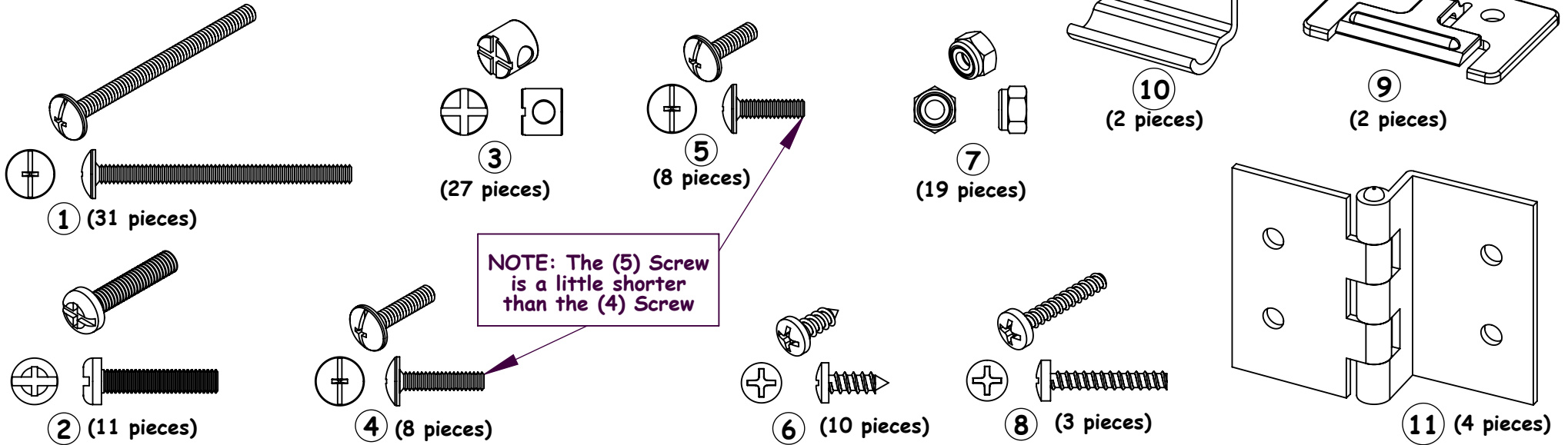
PARTS



Item #3950

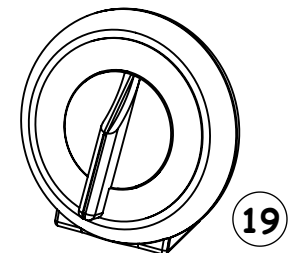
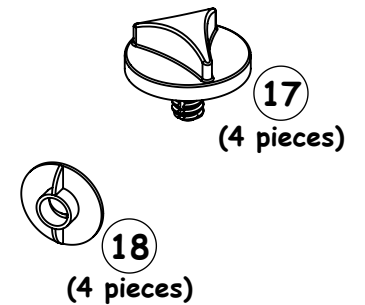
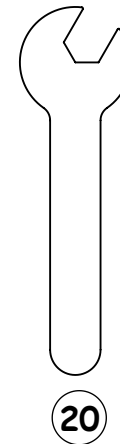
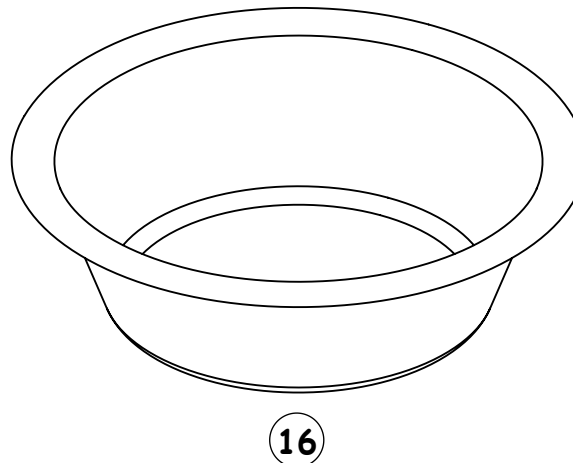
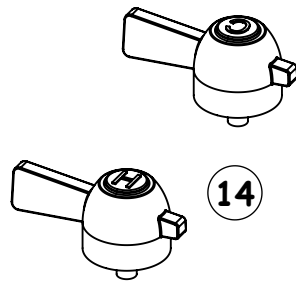
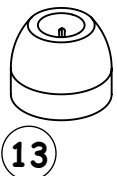
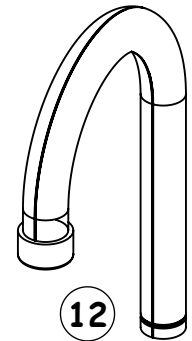
HARDWARE

Cook's Corner Kitchen



(Note that some packages of hardware may have extra pieces)

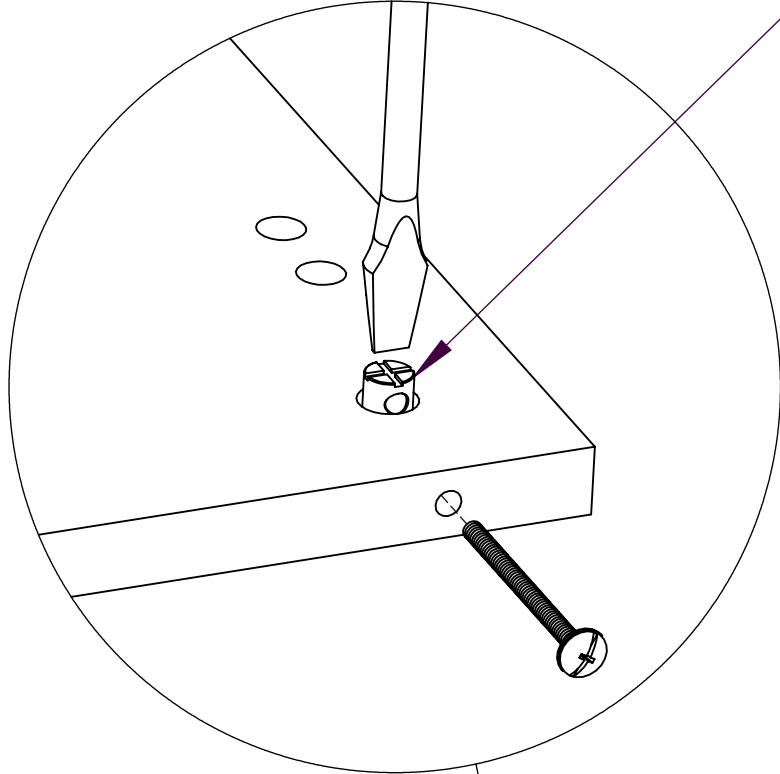
(Items above this line are shown full size)



HINTS and TIPS

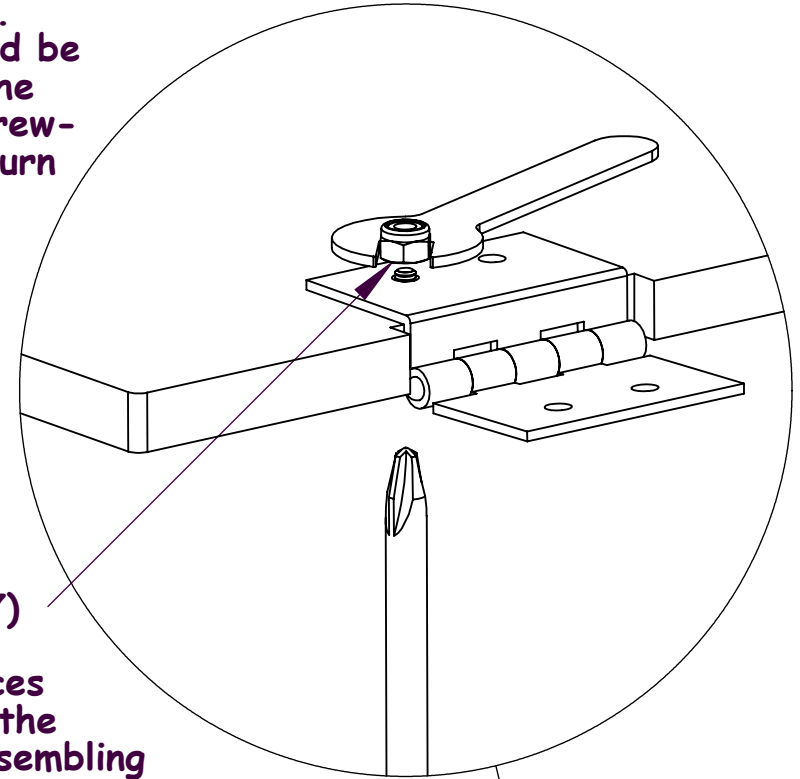
Cook's Corner Kitchen

Lay out all the parts you will need for each step. The parts are labeled in alphabetical or numerical order by the step.



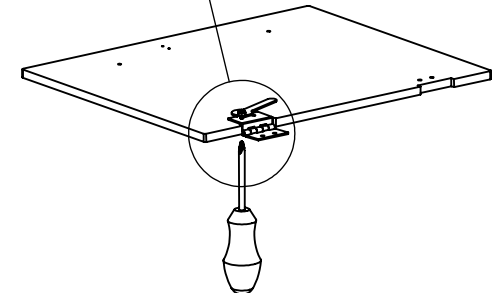
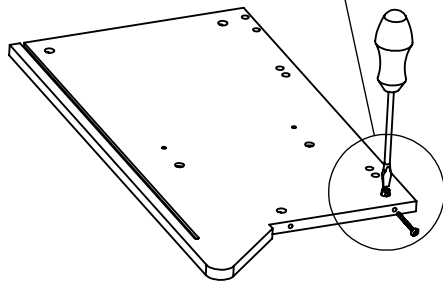
This part is a Barrel Nut (3)

It is used to join the main wood panels together with a screw. The threaded hole in it should be turned to make it easy for the screw to attach. Using a screwdriver as shown will help to turn the barrel nut so the hole is lined up with the screw.

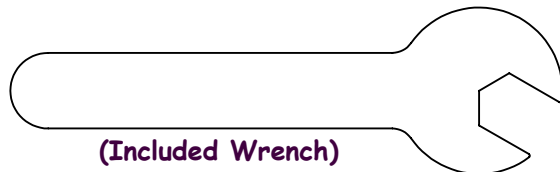


This part is a Locknut (7)

It is used in several places and should be held with the included wrench while assembling with a screwdriver as shown. When tightened properly, it will prevent the screw from loosening during play.



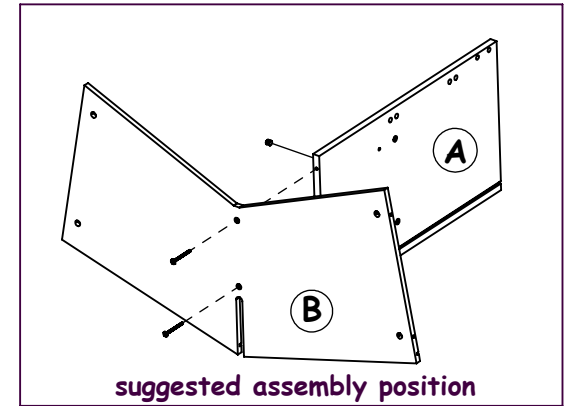
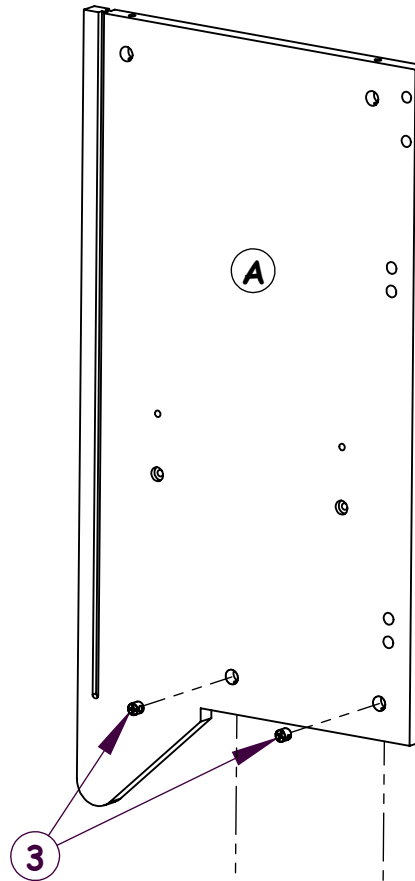
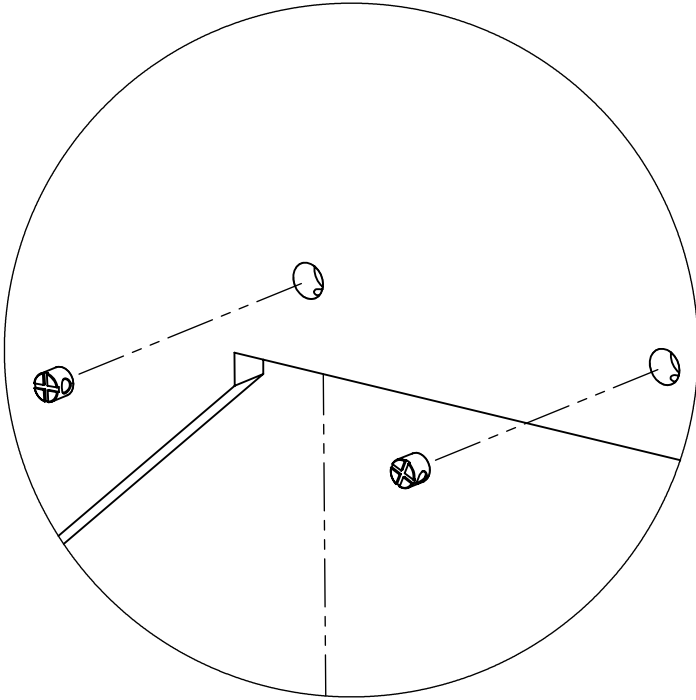
Item #3950



(Included Wrench)

Cook's Corner Kitchen

STEP 1



Assemble Panel (A) to Panel (B) as shown using two Screws (1) and two Barrel Nuts (3).

It may be easier to start with Panel (A) on its back as shown above.

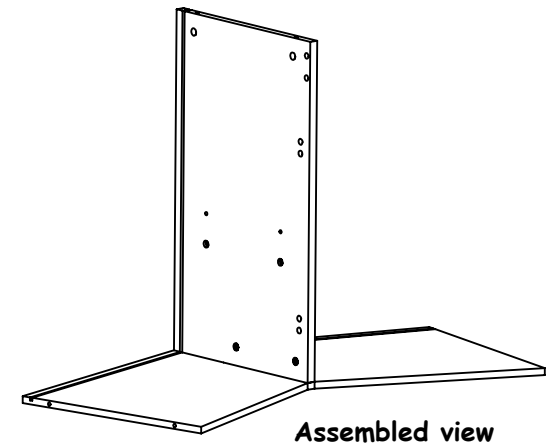
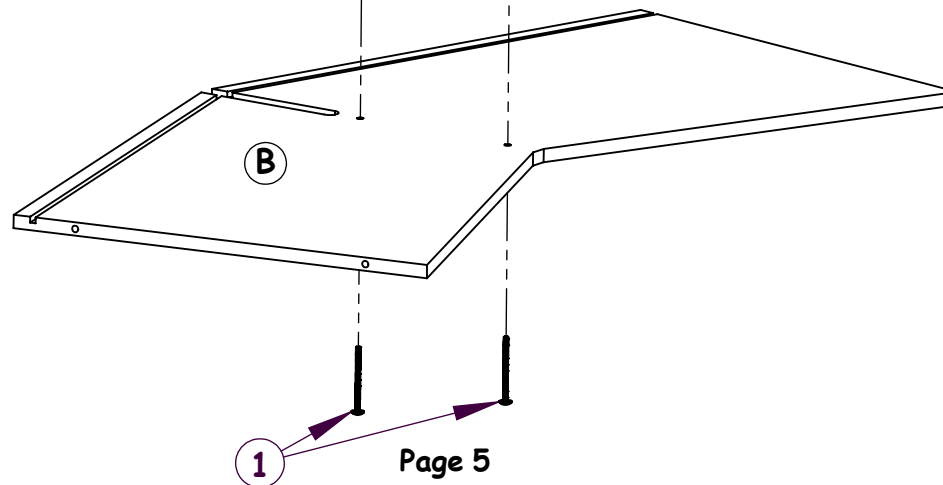
Remember to line up the holes in the Barrel Nuts with the screws as explained on page 4.

What hardware you will need for this step:

 3 (two pieces)

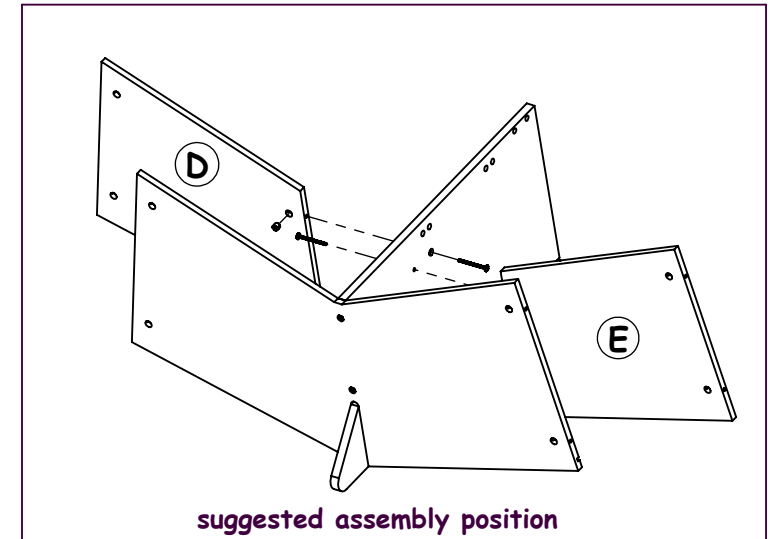
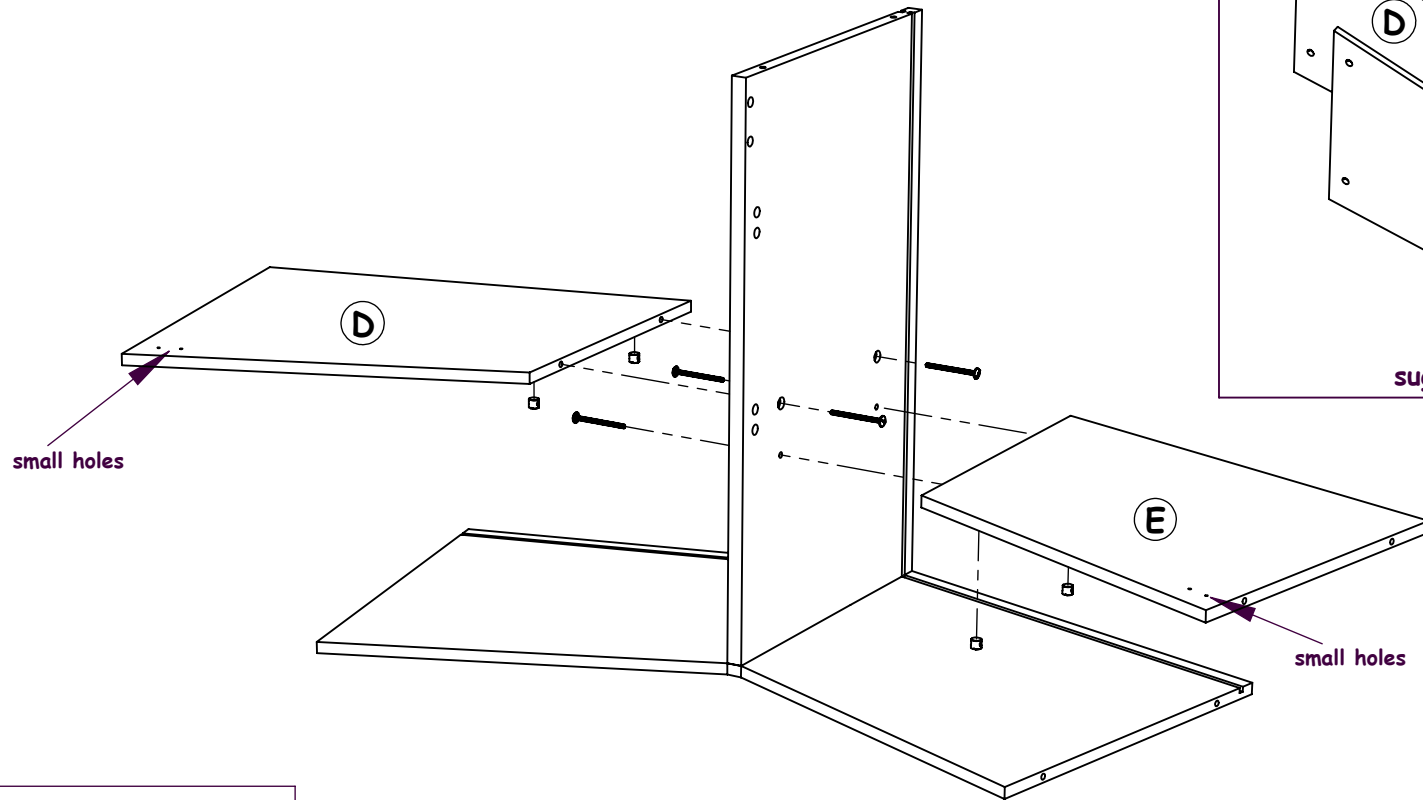
 1 (two pieces)

Item #3950



STEP 2

Cook's Corner Kitchen

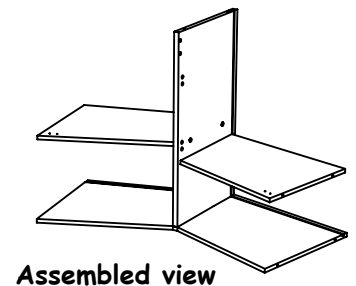


What hardware you will need for this step:



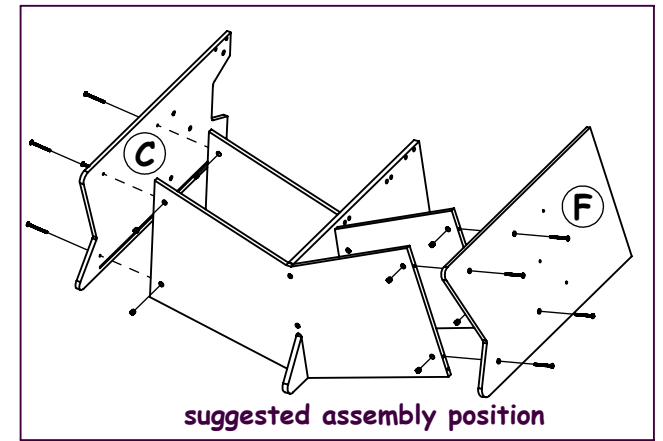
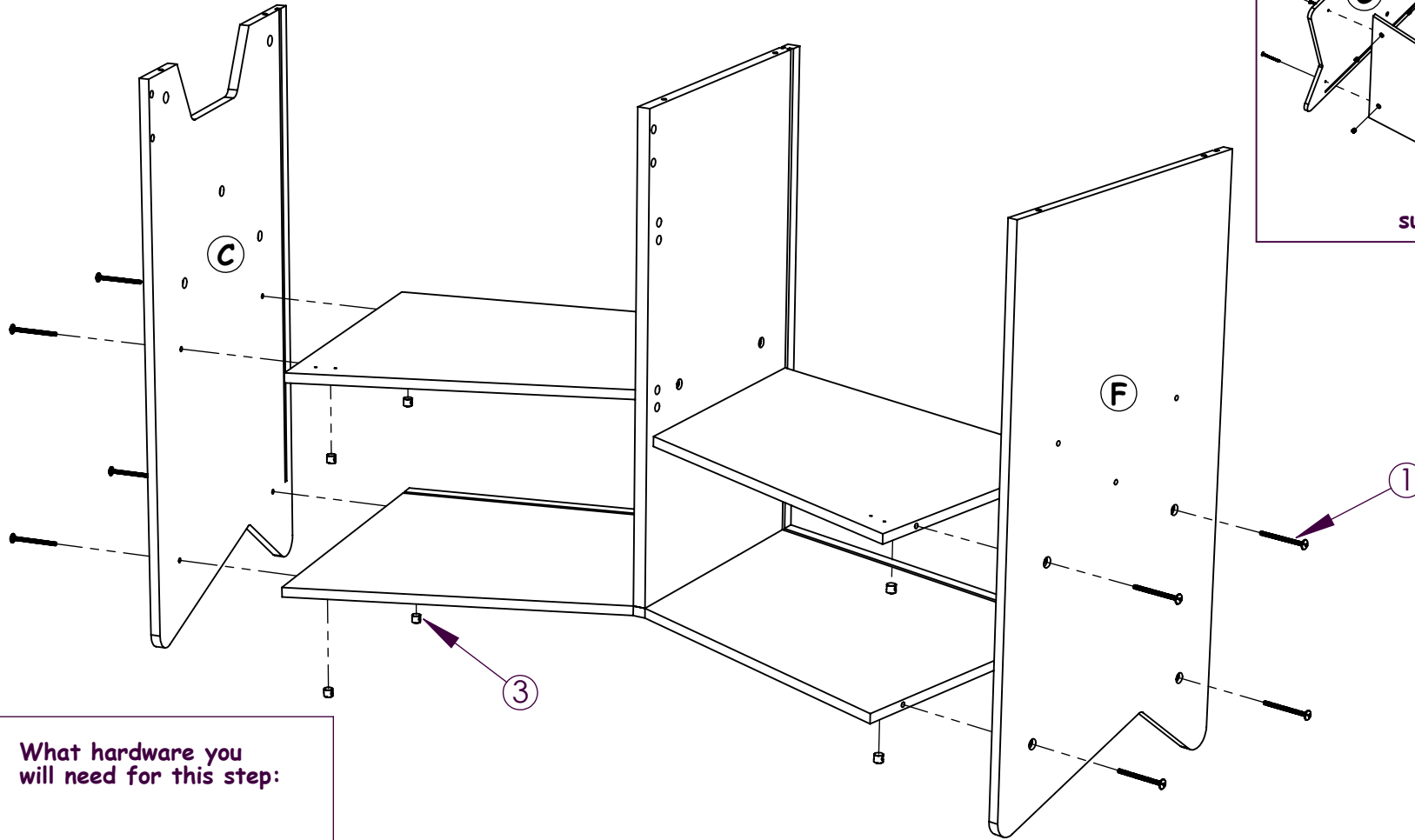
Assemble panels (D) and (E) to the parts from step 1 using four Screws (1) and four Barrel Nuts (3) as shown above.

Make sure that panels (D) and (E) are facing the correct way, with the two small holes as shown.



Cook's Corner Kitchen

STEP 3

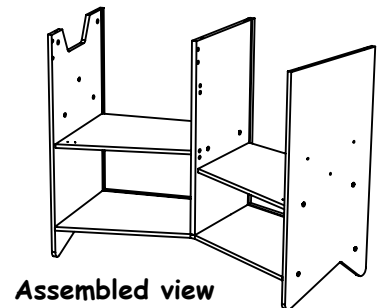


What hardware you will need for this step:



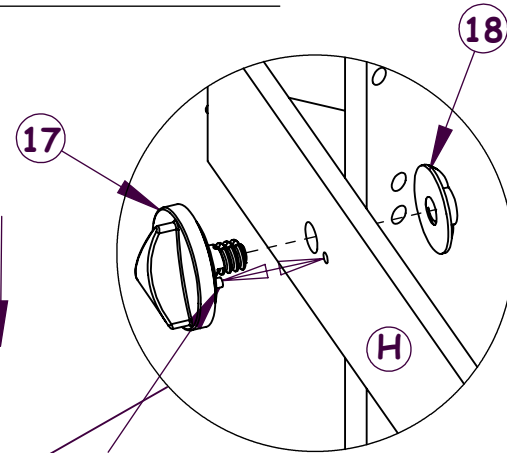
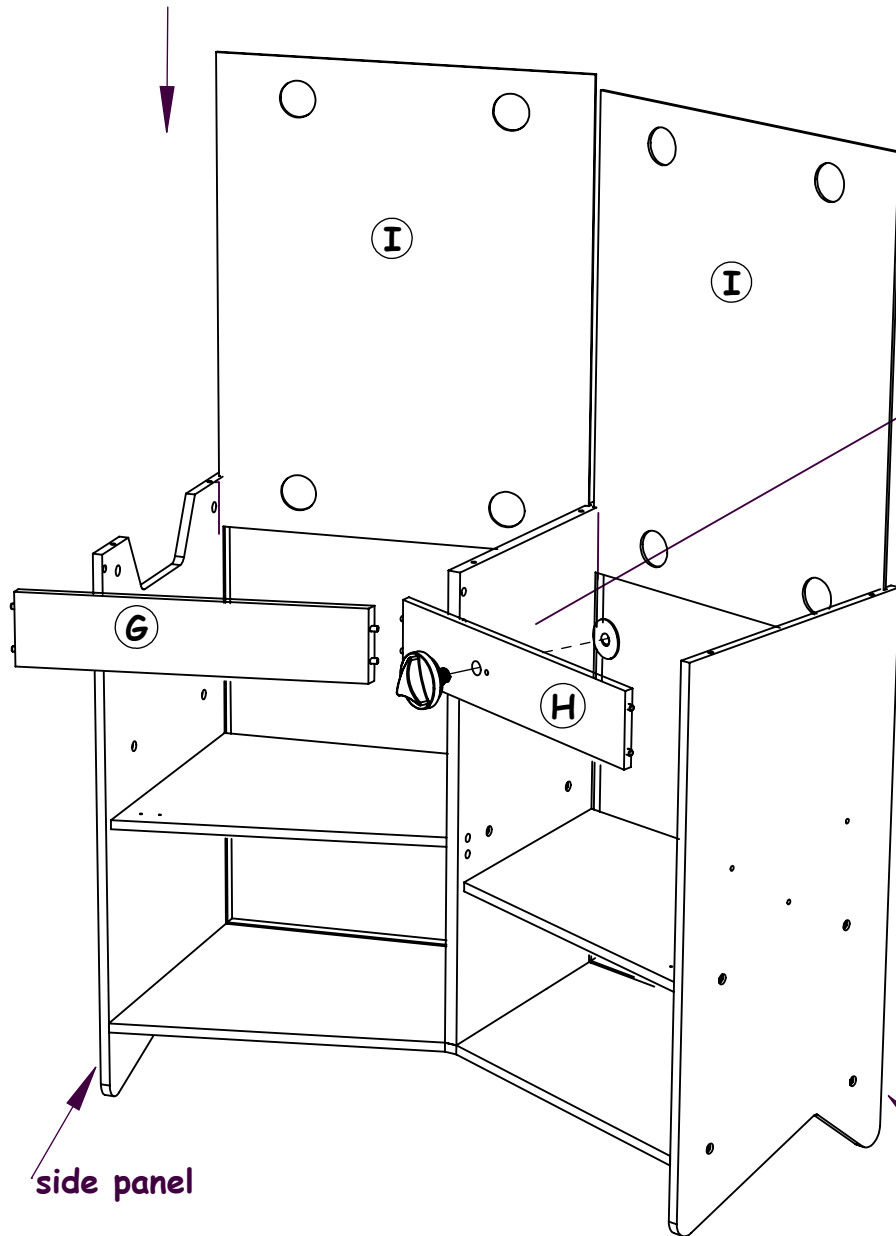
Now assemble panels (C) and (F) as shown using eight screws (1) and eight barrel nuts (3).

Remember to turn the barrel nuts as explained on page 4 so that the screws line up with the threaded holes.



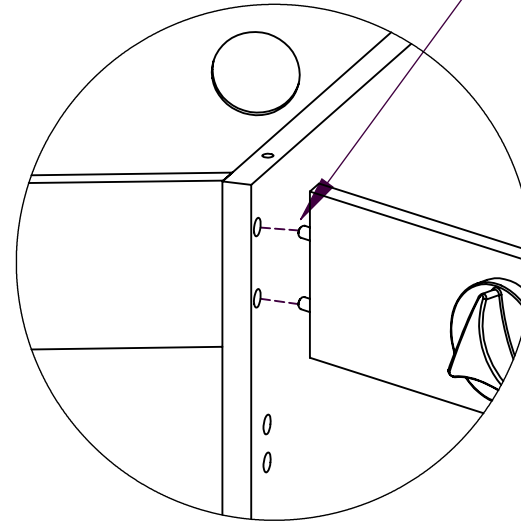
Cook's Corner Kitchen

STEP 4



First assemble the Range Knob (17) to Panel (H) as shown here by screwing on the Plastic Nut (18) to the Range Knob.

Make sure to line up the peg with the smaller hole in the panel.

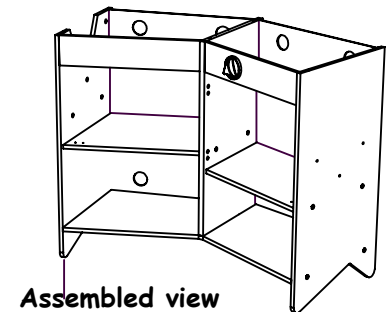


Next, insert Panels (G) and (H) by slightly spreading the side panels and inserting the dowels on the panels into the holes on the side panel and the center panel.

Now, lining up the Panels (I) with the slots in the sides and center panels, slide them down into place as shown.

side panel

side panel



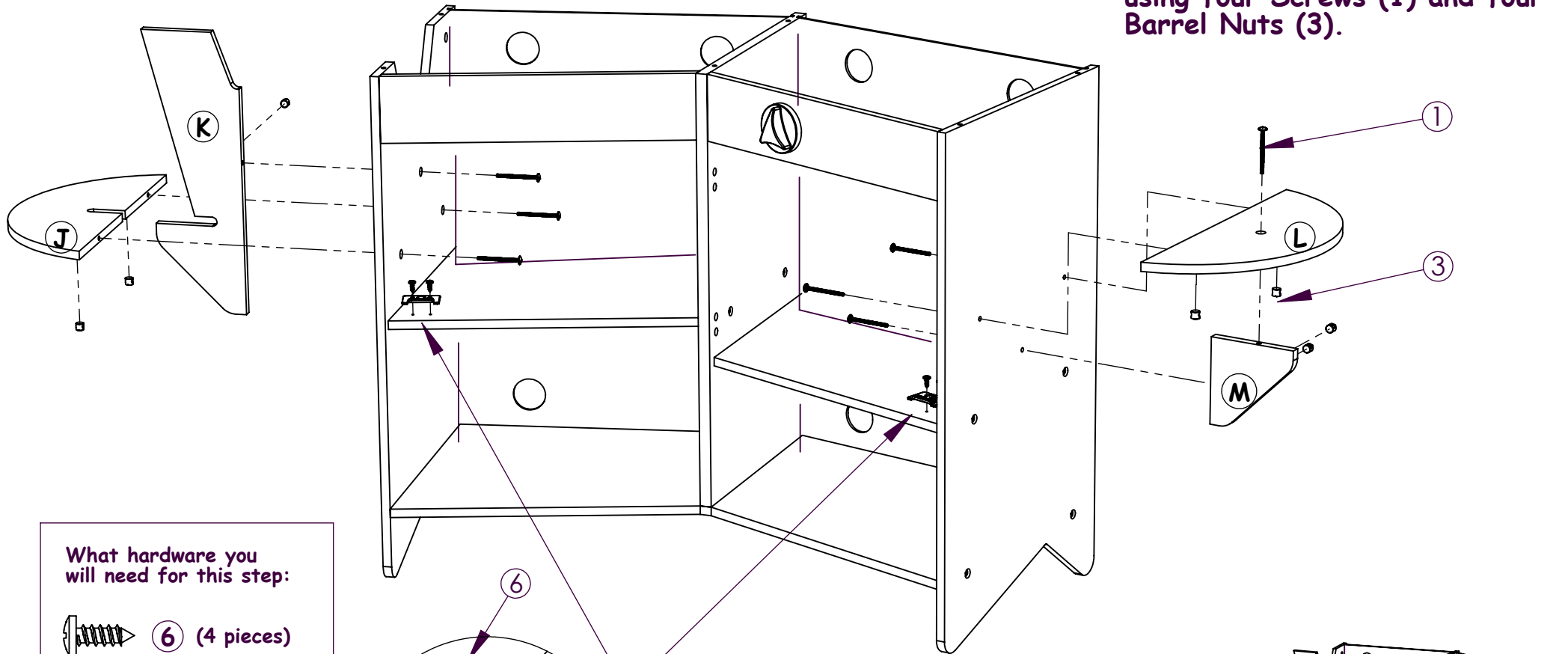
Assembled view

STEP 5

Cook's Corner Kitchen

Assemble Panels (J) and (K) as shown using three Screws (1) and three Barrel Nuts (3).

Then assemble Panels (L) and (M) using four Screws (1) and four Barrel Nuts (3).



What hardware you will need for this step:

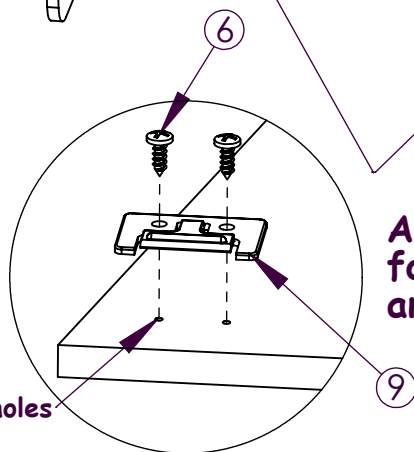
① (7 pieces)

③ (7 pieces)

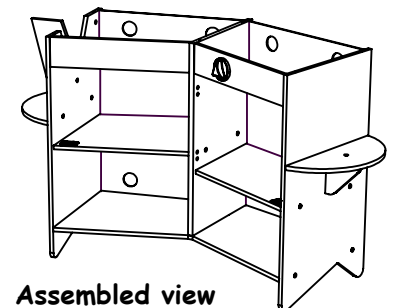
⑥ (4 pieces)

Item #3950

small holes



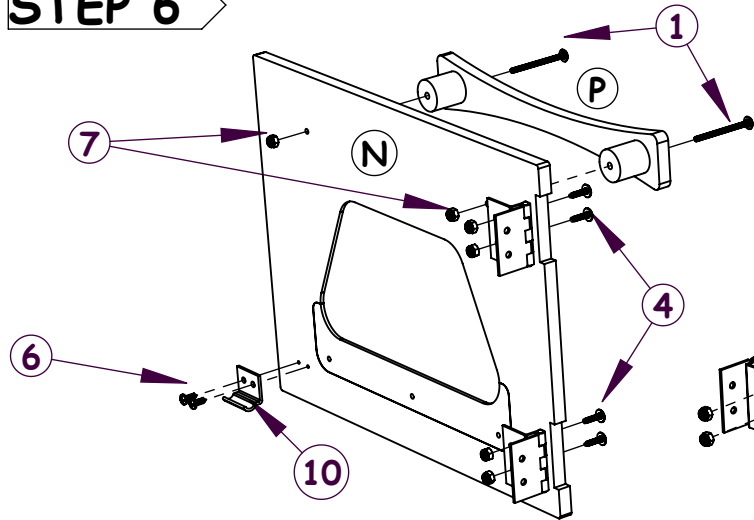
Attach two Latch Plates (9) using four Screws (6) as shown above and in the detail on the left.



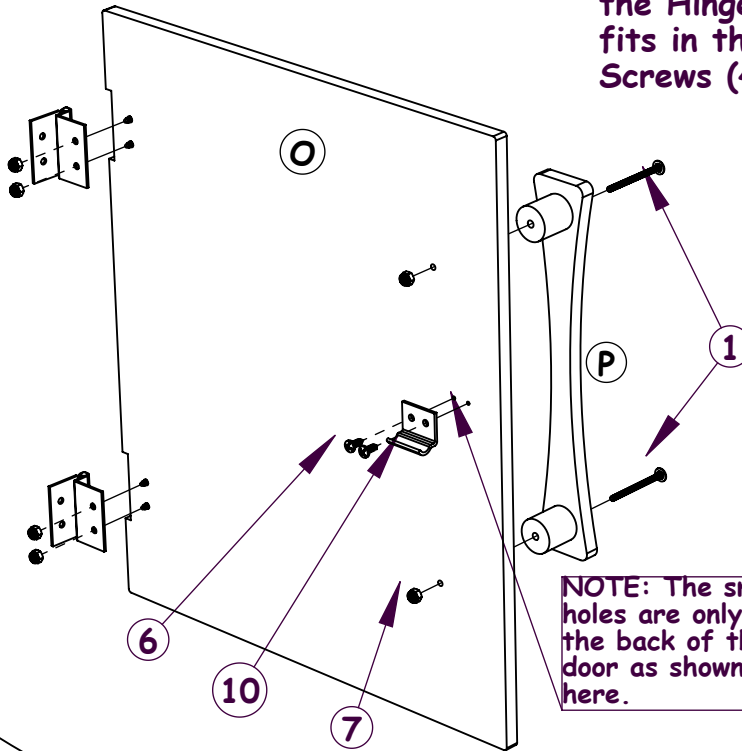
Assembled view

Cook's Corner Kitchen

STEP 6



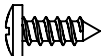

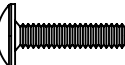

Assemble a Door Latch (10) to each door as shown using two Screws (6).

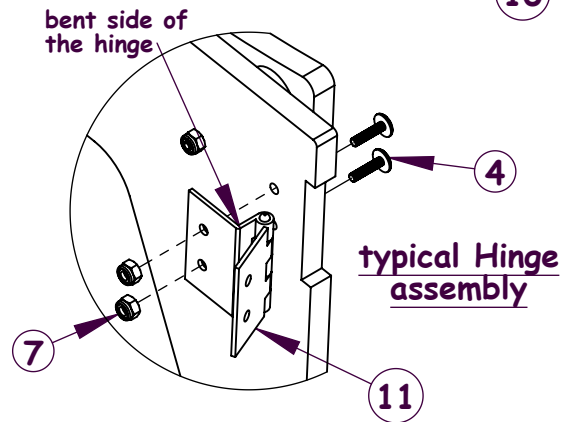


Assemble Handle (P) as shown to both the Oven Door (N) and Fridge Door (O) using two Screws (1) and two Nuts (7) for each Handle. Tighten using the included wrench and a screwdriver.

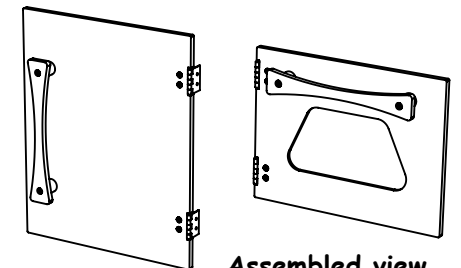
Next, assemble the Hinges (11) as shown to each door. Make sure that the "bent" side of the Hinge is attached to the door and that it fits in the door notch properly. Use two Screws (4) and two Nuts (7) for each Hinge.

What hardware you will need for this step:

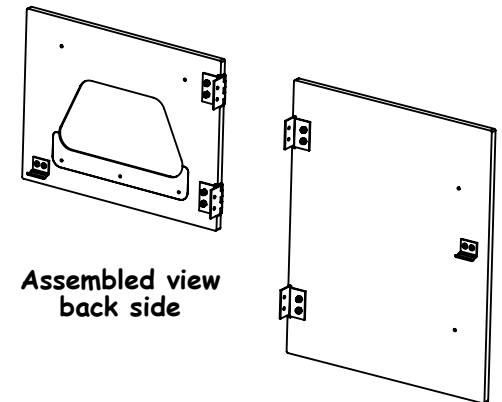
-  6 (4 pieces)
-  7 (12 pieces)
-  4 (8 pieces)
-  1 (4 pieces)



NOTE: The small holes are only on the back of the door as shown here.



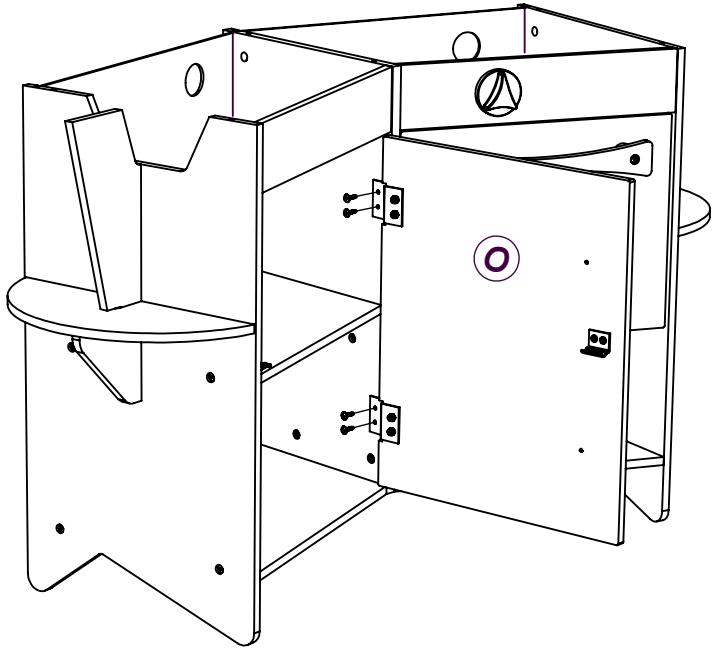
Assembled view front side



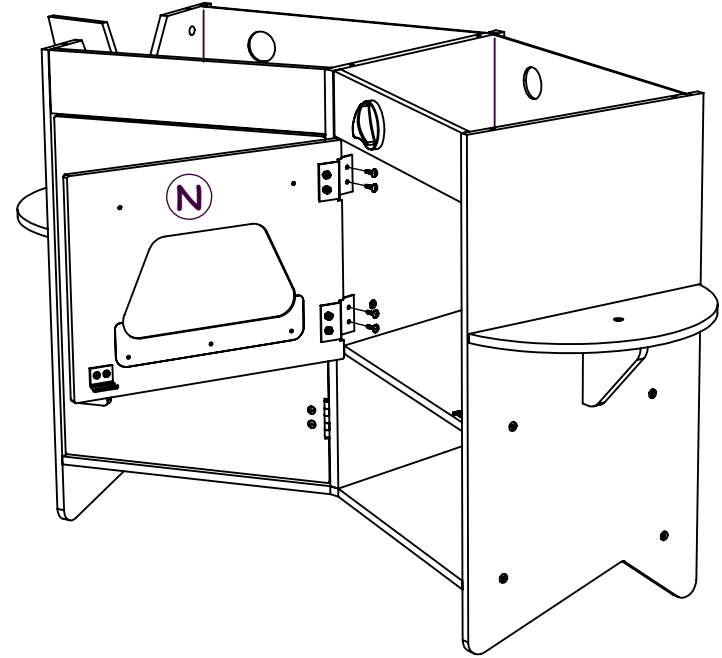
Assembled view back side

STEP 7

Cook's Corner Kitchen

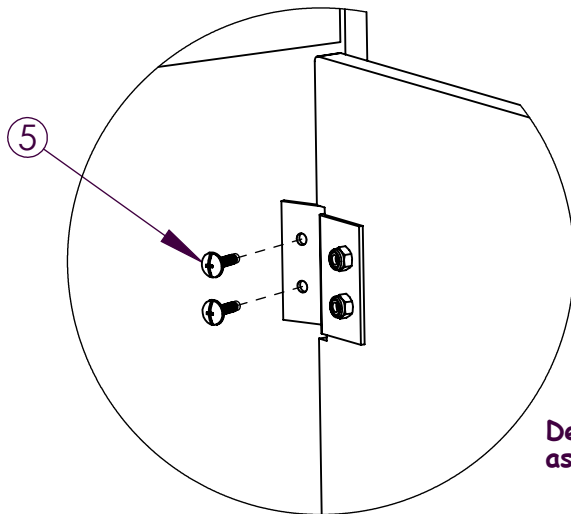


Attach the Fridge Door (O) and the Oven Door (N) using two Screws (5) for each Hinge as shown. The screws will thread directly into the center panel.

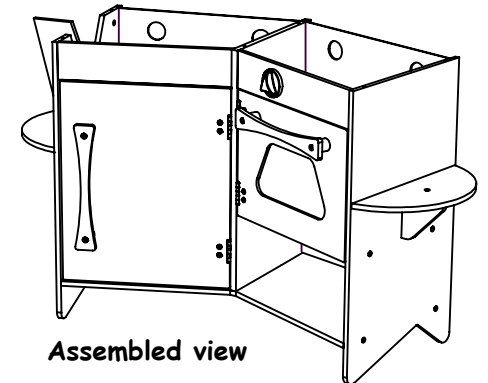


NOTE: The (5) screws are shorter than the (4) screws. Make sure you use the short screws for this assembly.

What hardware you will need for this step:



Detail view of Hinge assembly



Assembled view

STEP 8

Cook's Corner Kitchen

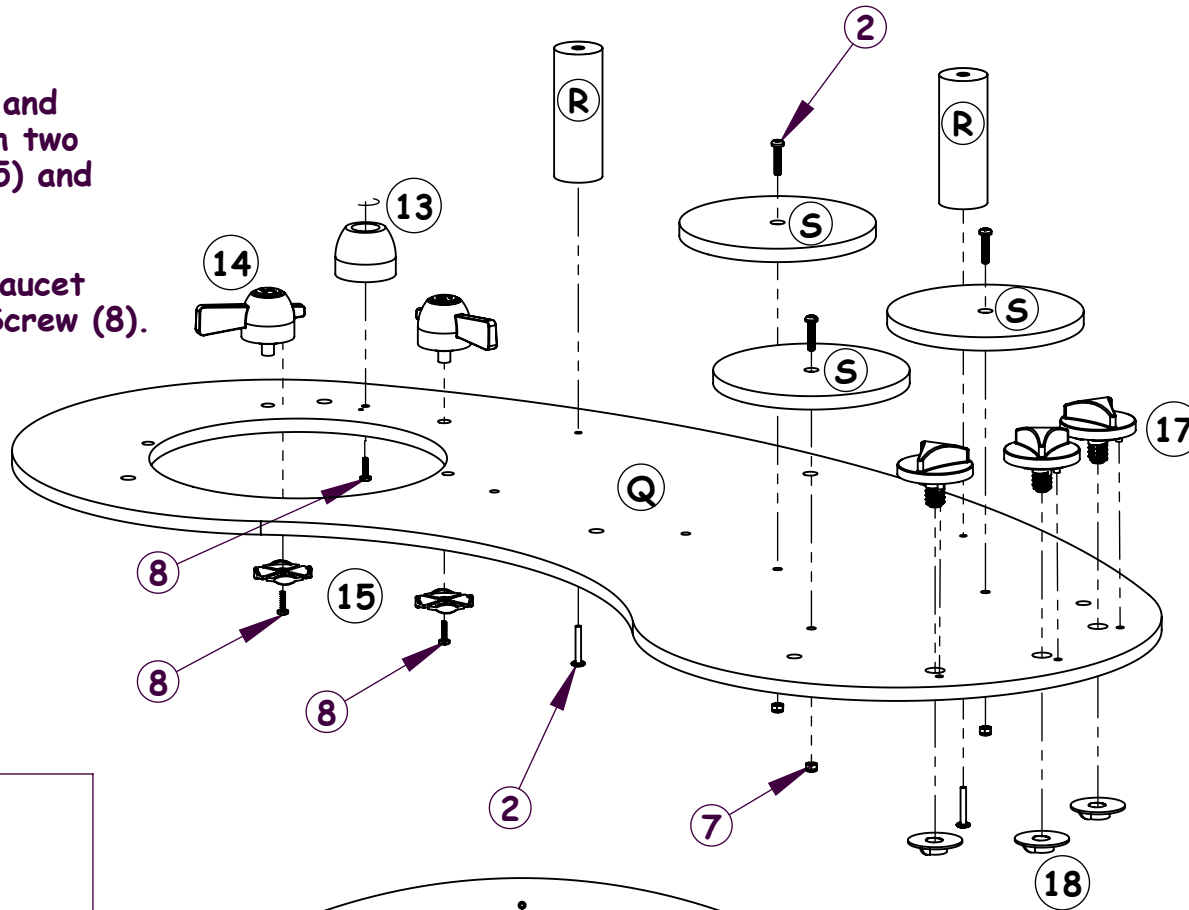
Assemble the Hot and Cold taps (14) with two Plastic Spacers (15) and two Screws (8).

Then attach the Faucet Base (13) with a Screw (8).

Attach two Posts (R) using two Screws (2).

Attach the three Range Burners (S) with a Screw (2) and a Nut (7) for each. Use the included wrench to tighten.

Next assemble three Range Knobs (17) using the Plastic Nut (18) as shown. The Plastic Nut screws on to the Range Knob from underneath the counter top.

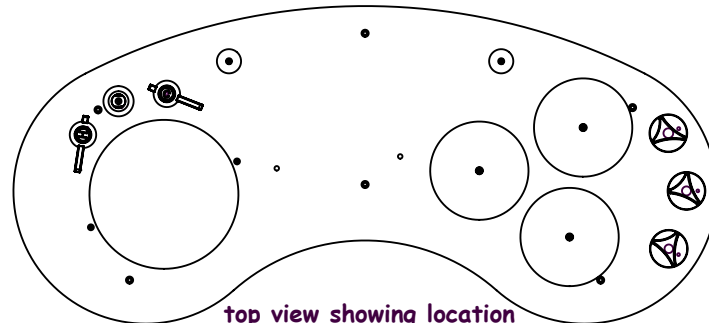


What hardware you will need for this step:

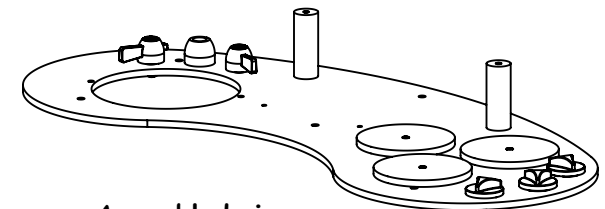
(7) (3 pieces)

(8) (3 pieces)

(2) (5 pieces)



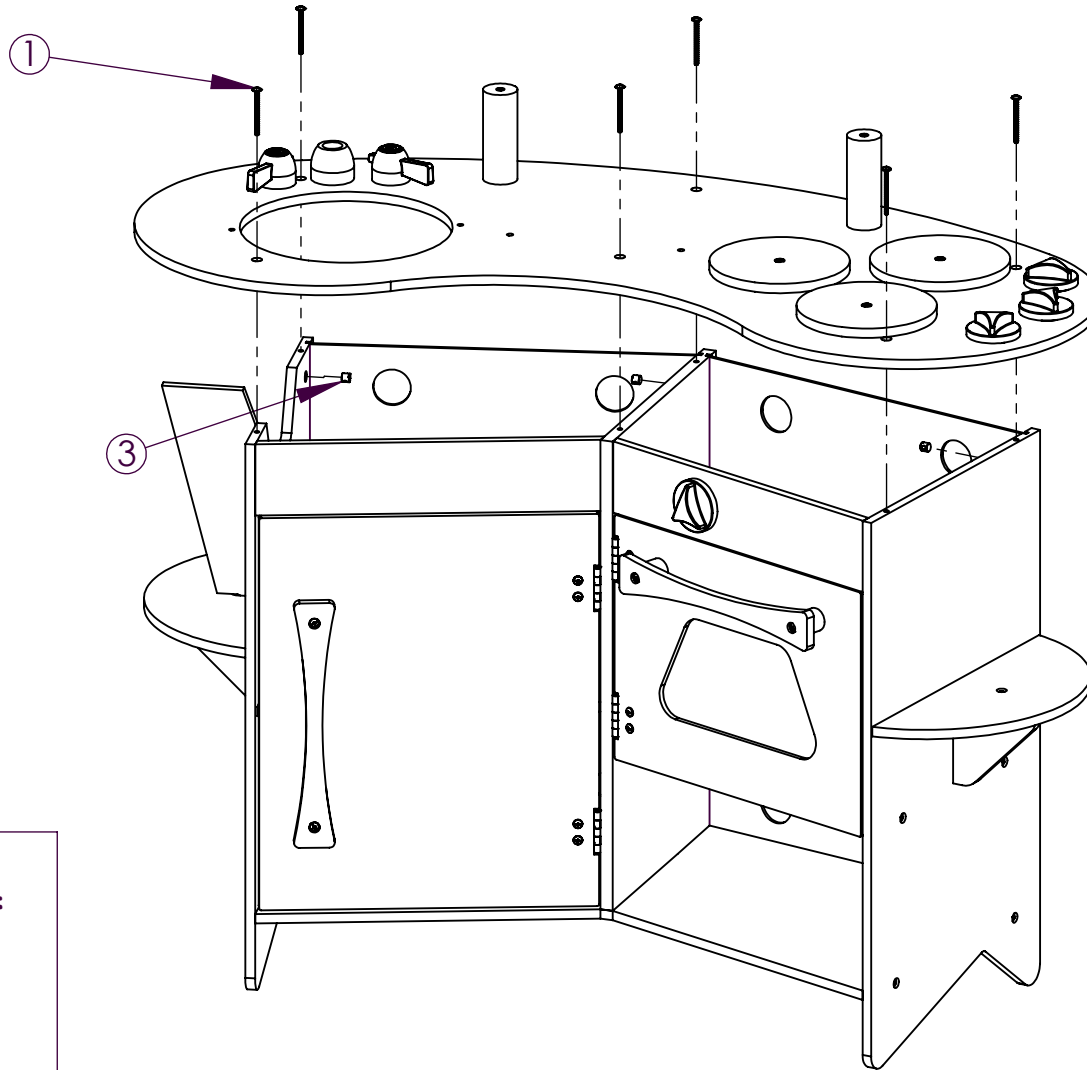
top view showing location of parts and their holes.



Assembled view

STEP 9

Cook's Corner Kitchen



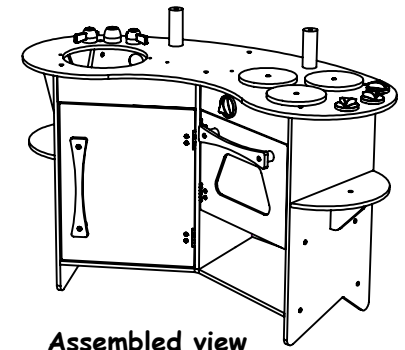
Attach the Counter Top assembly as shown using six Screws (1) and six Barrel Nuts (3).

Don't tighten the screws completely until all six screws have been installed, then continue to tighten all of them.

What hardware you will need for this step:



Item #3950



STEP 10

Cook's Corner Kitchen

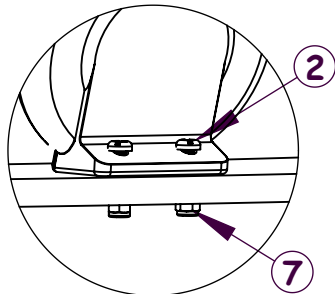
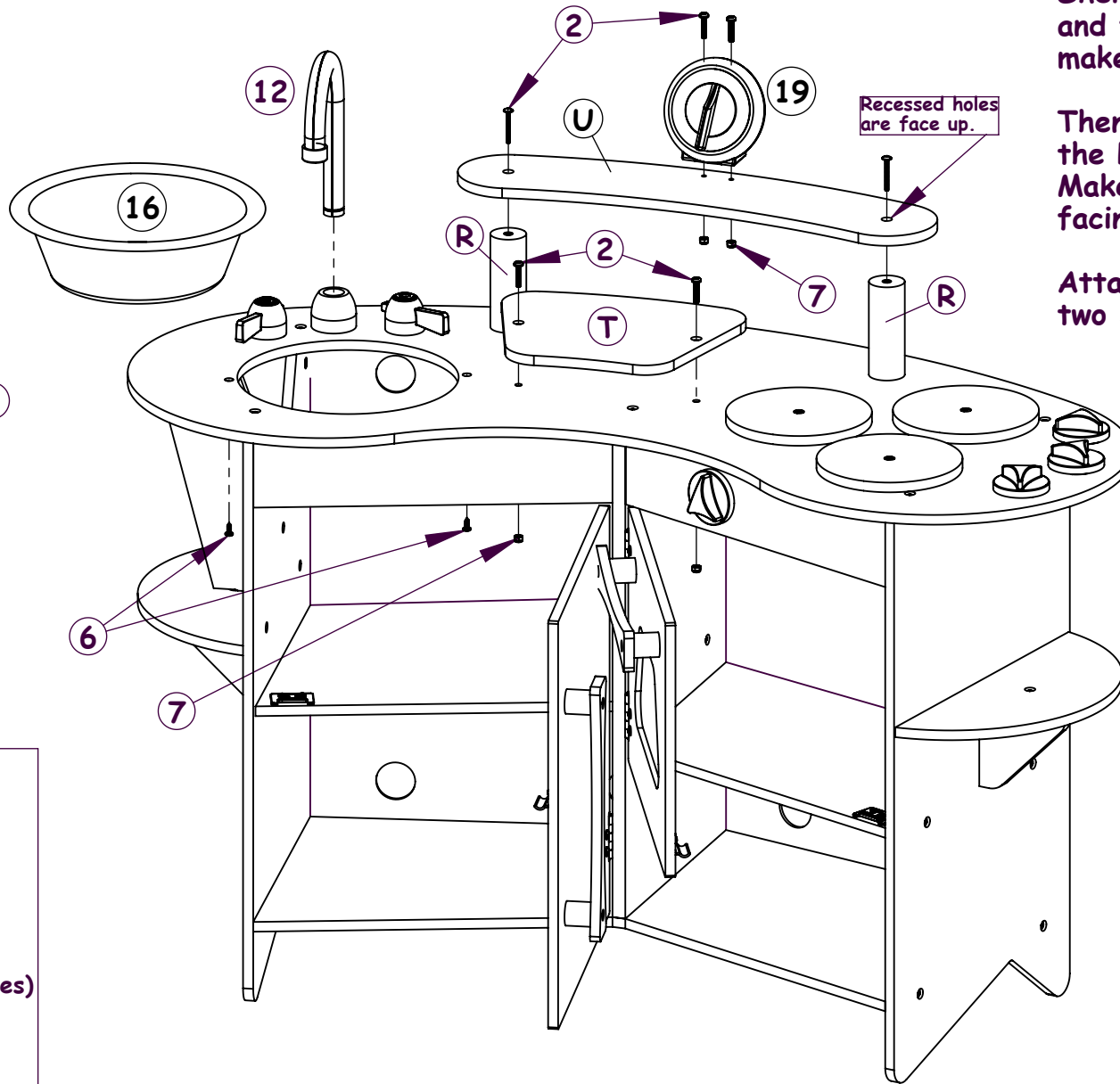
Assemble the Timer (19) to the Shelf (U) using two Screws (2) and two Nuts (7) as shown. Don't make the screws too tight.

Then assemble the Shelf (U) to the Posts (R) using two screws (2). Make sure the recessed holes are facing up. This is the top side.

Attach the Cutting Board (T) with two Screws (2) and two Nuts (7).

Next, drop the Sink (16) in place as shown and attach with two Screws (6). Attach the Faucet (12) into the Base by pushing it directly down until it snaps.

Now your Cook's Corner Kitchen is ready for play.



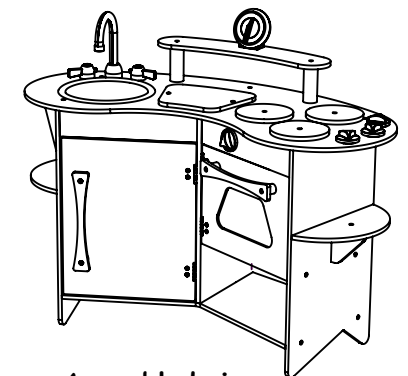
Detail of Timer mounting as shown from the back

What hardware you will need for this step:

 7 (4 pieces)

 2 (6 pieces)

 6 (2 pieces)



Assembled view