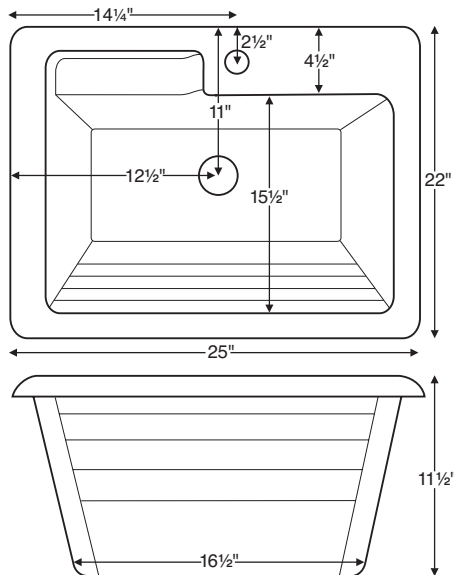


## CONSTRUCTION AND STANDARD FEATURES

- Single-bowl design; 3.5" drain opening pre-drilled.
- Can be undermounted or caulked directly to the countertop without the use of clips or channels.
- No holes drilled standard; up to 3 holes drilled by MTI at no additional charge.
- Durable Lucite® cast acrylic shell is extremely scratch- and stain-resistant yet renewable because the color goes all the way through the material.
- Non-porous surface makes cleaning and sanitizing faster and more effective.
- Multi-layered reinforced backing of thick fiberglass / resin / titanium.
- At least 30% thicker and stronger than other makes.
- Quality tested and certified by the NAHB.
- 5-year Limited Residential Warranty.

25" x 22" x 11.5"



### MTLS-110 Universal

(MTLS110)

#### COLORS

White  
Bone, Biscuit, Almond  
Other Colors: See p M-1

\$321  
\$332  
\$374

#### OPTIONS

Quick Ship/Priority. Call for availability. (QUISINKSH)  
Shipping Weight: 15 lbs

\$85

NOTES: Measurements are  $\pm 1/2"$  and are subject to change without notice. Data herein supersedes all previous prior to publication date indicated below.



### MTLS-110J Jentle Jet® Jetted Laundry Sink

Please refer to the Specialty Products Section for details.