

6030SPAN – EVERYDAY SHOWER PANS

inches (mm)

60 x 30 x 20 5/8 (1525 x 760 x 525) • Fax on Demand #9029



FEATURES

- Shower pan
- Integral corner seat (left or right hand)
- Left or right hand drain
- Low, 3" threshold
- Extended tiling flange (3T)
- Slip-resistant, textured bottom
- Gelcoat surface
- 5-year limited warranty

AQUATIC ADVANTAGE

- National distribution
- 5 manufacturing facilities
- Private fleet
- Centralized customer service
- Field support
- 24-hour fax-on-demand

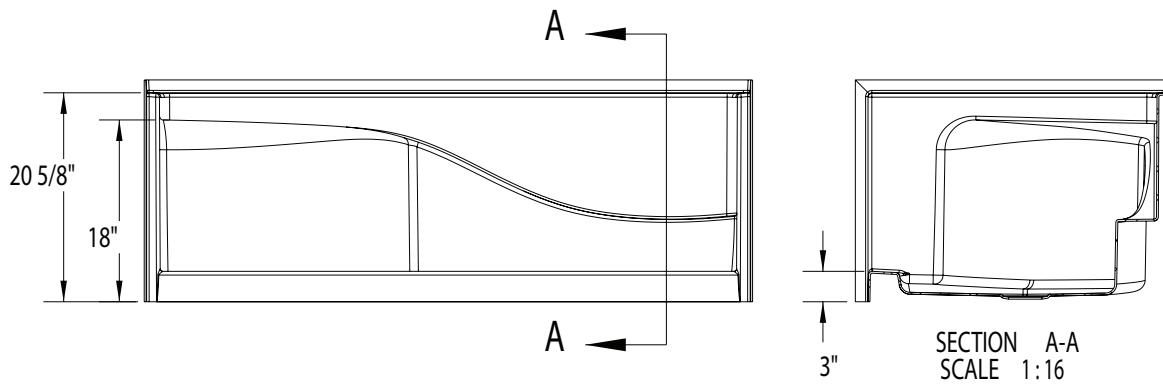
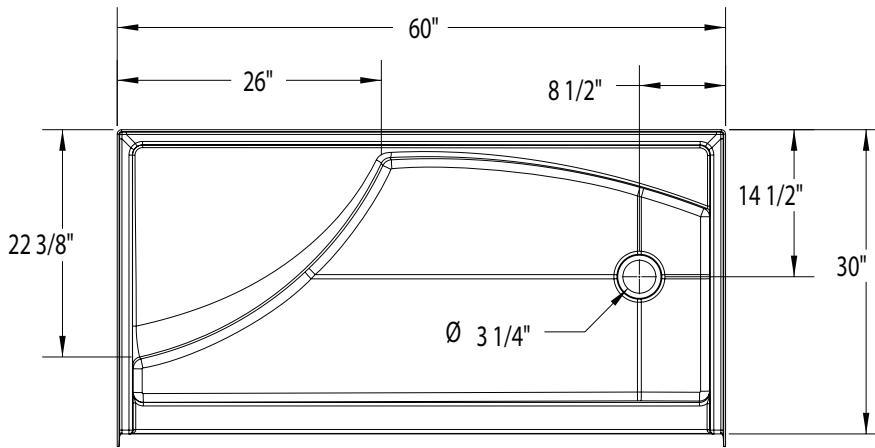
COLOR & TRIM OPTIONS

Stock	Premium
Almond	Black
Biscuit	Mexican Sand
Bone	Sand Bar
Linen	
Sterling Silver	
White	



6030SPAN

60 x 30 x 20 5/8 (1525 x 760 x 525)
inches (mm)



FEATURES lbs (kg) Dimensional Tolerance ± 3/8". Dimensions needed for site preparation should be measured from the unit. Aquatic assumes no responsibility for preparatory work.

Model #	Material	Drain	Net Wt.	Pkg. Wt.
Shower Pan #6030SPANL/R	Gelcoat	LH or RH	63 (29)	68 (31)

DIMENSIONS

Specifications	inches (mm)
Width: Overall / Net	60 (1525)
Depth: Overall / Net	31 1/4 (795) / 30 (760)
Height: Overall / Net	21 7/8 (555) / 20 5/8 (525)
Enclosure Opening	-
Skirt Height	3 (75)
Drain Rough-In (from Back Wall)	14 1/2 (370)
Drain Rough-In (from Side Wall)	8 1/2 (215)
Drain: Diameter / Clearance	3 1/4 (80) / 1/4 (6)

FRAMING DIMENSIONS inches (mm)

Type	D Depth	W Width	H Height	A	B	C
Alcove	31 1/4 (795)	60 (1524)	-	Box Out	8 1/2 (215)	14 1/2 (370)

