

BI605B

34.38" x 23.63" x 25.0" (H x W x D)

Built-in undercounter refrigerator freezer with large capacity and manual defrost in black finish

Highlights:

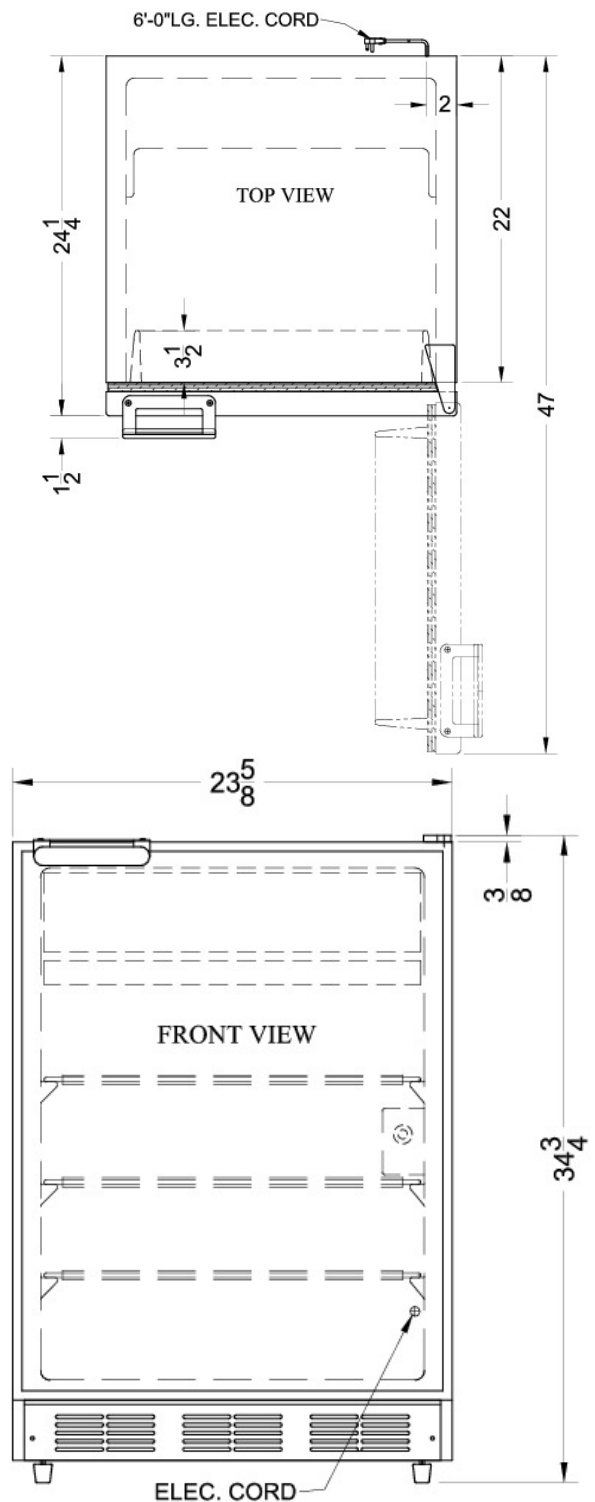
- Flexible design allows built-in or freestanding use
- Perfectly sized to fit under counters and in tight 24 inch spaces
- True 6 c.f. storage capacity inside
- Value priced with proven construction built to last



Slim undercounter dimensions	Less than 24 inches wide to fit tight spaces
Built-in capable	Make the best use of space by installing your appliance under the counter and flush with other cabinets
Fully finished black cabinet	Allows the unit to be used freestanding
Manual defrost	No temperature fluctuations with a manual defrost system that keeps the cold inside
Large capacity	6 full c.f. of space inside
Adjustable shelves	Rearrange your refrigerator space to accommodate all shapes and sizes or remove shelves for a simple clean-up
Door storage	Store large bottles right on the door for easy access
Reversible door	Keep your options flexible with a reversible door that's easy to switch when your arrangement changes
Interior light	Automatically illuminates when you open the door
Adjustable thermostat	Manage the interior temperature with ease and accuracy

Specifications:

Height	34.38"
Width	23.63"
Depth	25.0"
Capacity	6.1 cu.ft.
Ext Depth with Handle	25.75"
Interior Height 1	20.25"
Interior Width 1	21.0"
Interior Depth 1	20.5"
Interior Height 2	5.0"
Interior Width 2	21.0"
Interior Depth 2	20.5"
Shipping Weight	120.0 lbs.
Weight	130.0 lbs.
Amps	0.9
US Electrical Safety	UL
Energy Usage/Year	342.0 kWh/year
Voltage/Frequency	115 V AC/60 Hz
Reversible	Yes
Door Swing	RHD
Shelf Quantity	3
Adjustable Shelf	true
Shelf Type	Wire
Full Door Shelf Quantity	3
Defrost Type	Manual
Depth with door at 90°	47.0"
Height to Hinge Cap	34.75"
Condensor Location	Rear of Unit
Light	true
Fan Type	Exterior
Thermostat Type	Dial
Freon Type	R134a
High Side PSI	235.0
Level Legs Quantity	4
Freon Oz	3.0
Low Side PSI	140.0
Parts/Labor Warranty	1 Year
Compressor Warranty	5 Years



Summit Appliance Division, Felix Storch, Inc.
 770 Garrison Ave • Bronx, NY 10474
 Phone: 718-893-3900 • Fax: 718-842-3093
 Email: info@summitappliance.com