

BIM44

33.5" x 14.75" x 23.5" (H x W x D)

Undercounter icemaker with automatic defrost for built-in or free-standing use

Highlights:

Flexible design allows built-in or freestanding use

Automatic defrost saves on user maintenance

Slim 15" width fits any tight spot



Commercially approved

NSF listed and CalCode compliant

Reversible door

Keep your options flexible with a reversible door that is easy to switch when your arrangement changes; Unit ships LHD but can be reversed in our factory or by the user

Automatic defrost

Simplify appliance care by letting your icemaker defrost itself

Full-length handle

Sturdy chrome handle from the top of the door to the bottom

Built-in capable

Make the best use of space by installing your icemaker under the counter and flush with other cabinets

Stainless steel door

Professional styling with lasting durability

Fully finished black cabinet

Allows the icemaker to be used as a freestanding model

Insulated storage bin

Ice stays solid in this cold-protected bin

100% CFC free

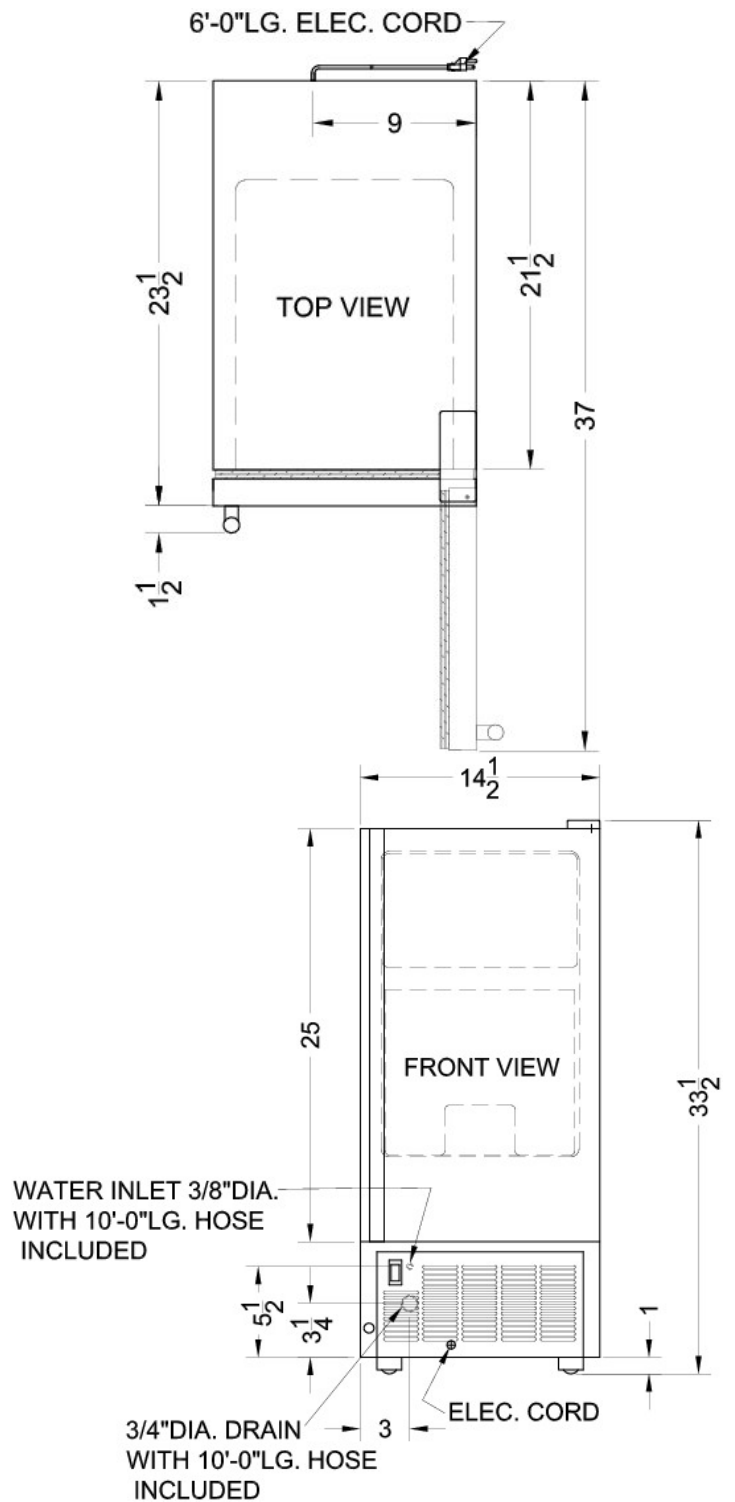
Environmentally friendly design without ozone-damaging chemicals

Ice scoop

Included for your convenience

Specifications:

Height	33.5"
Width	14.75"
Depth	23.5"
Ext Depth with Handle	25.0"
Interior Height 1	18.5"
Interior Width 1	12.0"
Interior Depth 1	16.0"
Shipping Weight	115.0 lbs.
US Electrical Safety	UL
Voltage/Frequency	115 V AC/60 Hz
Amps	4.8
Reversible	Yes
Door Swing	LHD
Defrost Type	Automatic
Depth with door at 90°	37.0"
Height to Hinge Cap	33.5"
Condensor Location	Rear of Unit
Thermostat Type	Dial
Low Side PSI	120.0
Freon Type	R134a
High Side PSI	350.0
Level Legs Quantity	4
Freon Oz	6.35
Compressor Warranty	5 Years
Parts/Labor Warranty	1 Year
Sanitation	NSF



Summit Appliance Division, Felix Storch, Inc.
 770 Garrison Ave • Bronx, NY 10474
 Phone: 718-893-3900 • Fax: 718-842-3093
 Email: info@summitappliance.com