

CR2220

3.38" x 11.88" x 19.7" (H x W x D)

230V two-burner cooktop in black ceramic glass, made in Europe

Highlights:

Two-burner electric cooktop with 230V operation

Smooth black ceramic glass surface offers easy cleanup and modern style

Includes push-to-turn knobs and heat indicator light for safer use

Made in Europe



Smooth black surface made from Eurokera glass

Easy cleanup and elegant style on a smooth ceramic glass surface

Two heating elements

2 1200W burners, each with 6" diameter and manufactured for SUMMIT by E.G.O. of Germany, considered by many to be the finest in the world

Push-to-turn controls

Prevents accidents by requiring a small amount of force to turn on cooktop heat

Residual heat indicator light

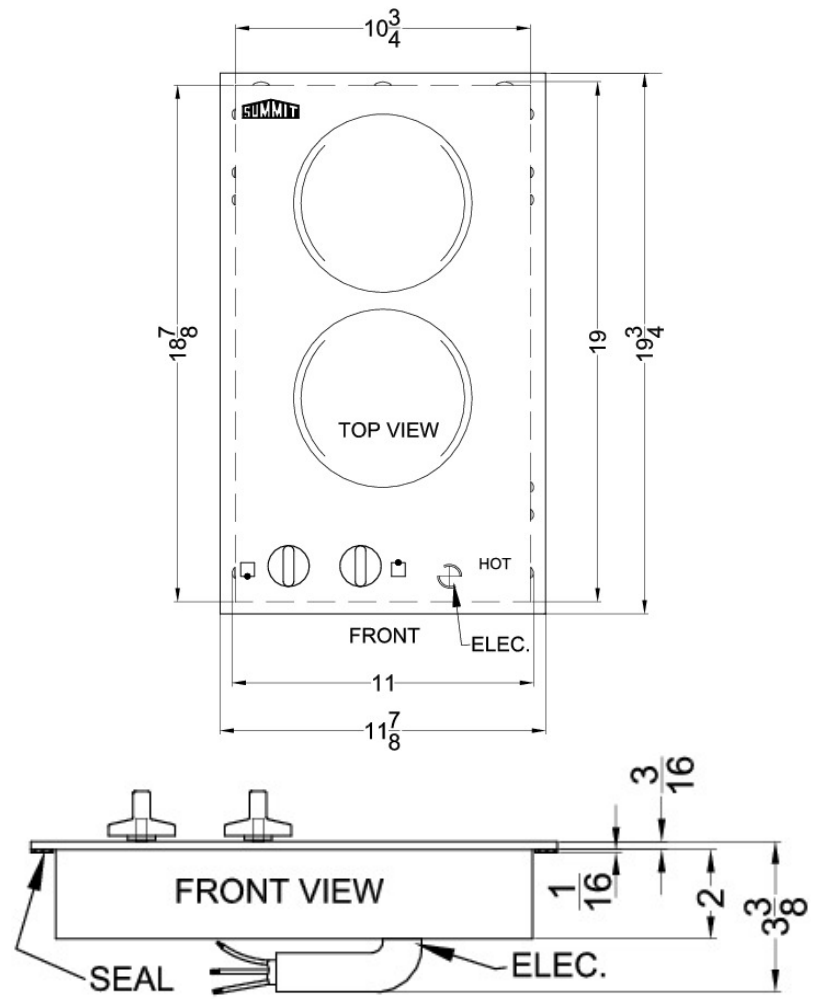
Indicates when surface is still hot to touch

Designed for built-in installation

Fits counter cutout sizes that are 11 1/8" wide by 19 1/8" deep

Specifications:

Cutout Depth	19.13"
Cutout Width	11.13"
Height	3.38"
Width	11.88"
Depth	19.7"
US Electrical Safety	UL
Voltage/Frequency	220 V AC/50 Hz
Canadian Electrical Safety	ULC
Burner Temperature Control	Dial
Burner Type	Glasstop
Heating Type	Radiant
Number of Burners	2
Surface Type	Glass
Parts/Labor Warranty	1 Year



MODEL: CR2220
240V-60HZ 2400W MAX.

Summit Appliance Division, Felix Storch, Inc.
770 Garrison Ave • Bronx, NY 10474
Phone: 718-893-3900 • Fax: 718-842-3093
Email: info@summitappliance.com