

CR1115

3.38" x 11.88" x 12.63" (H x W x D)

115V single burner cooktop in black ceramic glass, made in Europe

Highlights:

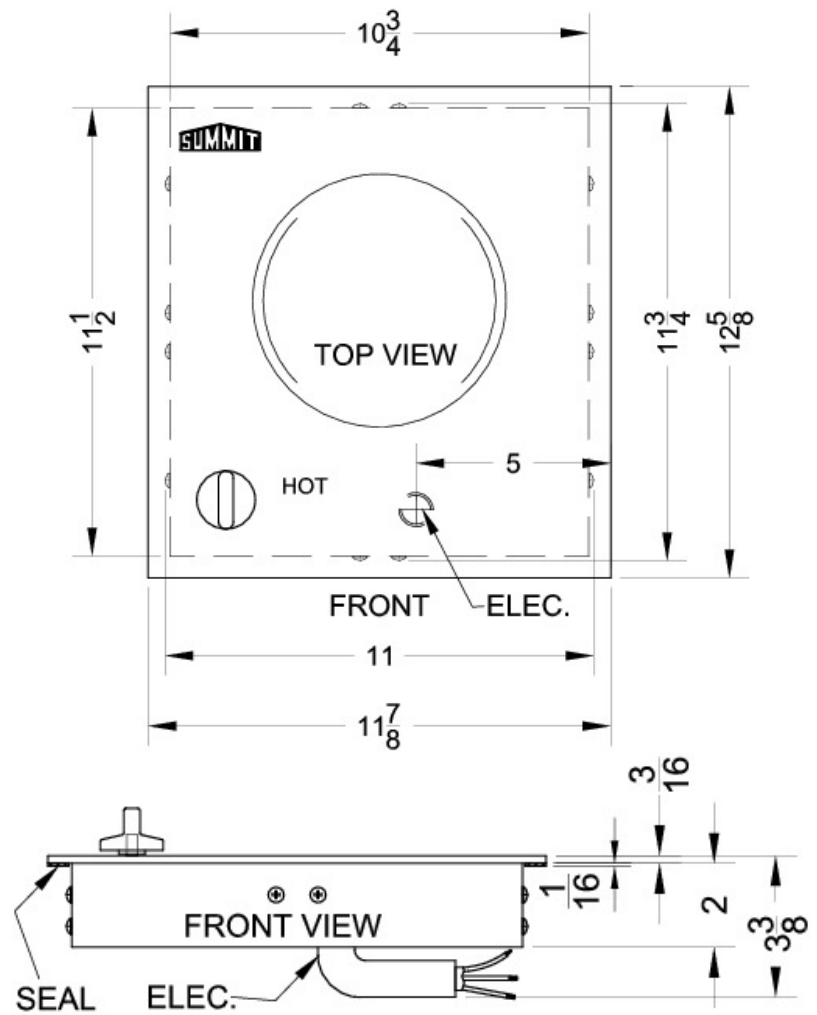
- Single burner electric cooktop with 115V operation
- Smooth black ceramic glass surface offers easy cleanup and modern style
- Includes push-to-turn knob and heat indicator light for safer use
- Made in Europe



Smooth black surface made from Eurokera glass	Easy cleanup and elegant style on a smooth ceramic glass surface
Single heating element	One 1200W burner, with 6" diameter, manufactured for SUMMIT by E.G.O. of Germany, considered by many to be the finest in the world
Single 115V burner	Fits standard wall outlets
Push-to-turn control	Prevents accidents by requiring a small amount of force to turn on cooktop heat
Residual heat indicator light	Indicates when surface is still hot to touch
Designed for built-in installation	Fits counter cutout sizes that are 11 1/8" wide by 11 7/8" deep

Specifications:

Cutout Depth	11.88"
Cutout Width	11.13"
Height	3.38"
Width	11.88"
Depth	12.63"
US Electrical Safety	UL
Voltage/Frequency	115 V AC/60 Hz
Canadian Electrical Safety	ULC
Burner Temperature Control	Dial
Burner Type	Glasstop
Heating Type	Radiant
Number of Burners	1
Surface Type	Glass
Parts/Labor Warranty	1 Year



MODEL: CR1115
120V-60HZ 1200W

Summit Appliance Division, Felix Storch, Inc.
770 Garrison Ave • Bronx, NY 10474
Phone: 718-893-3900 • Fax: 718-842-3093
Email: info@summitappliance.com