

BI605 Series

34.38" x 23.63" x 24.25" (H x W x D)

Built-in refrigerator-freezers with auto or manual defrost, available in a range of styles and with customizable frames

Highlights:

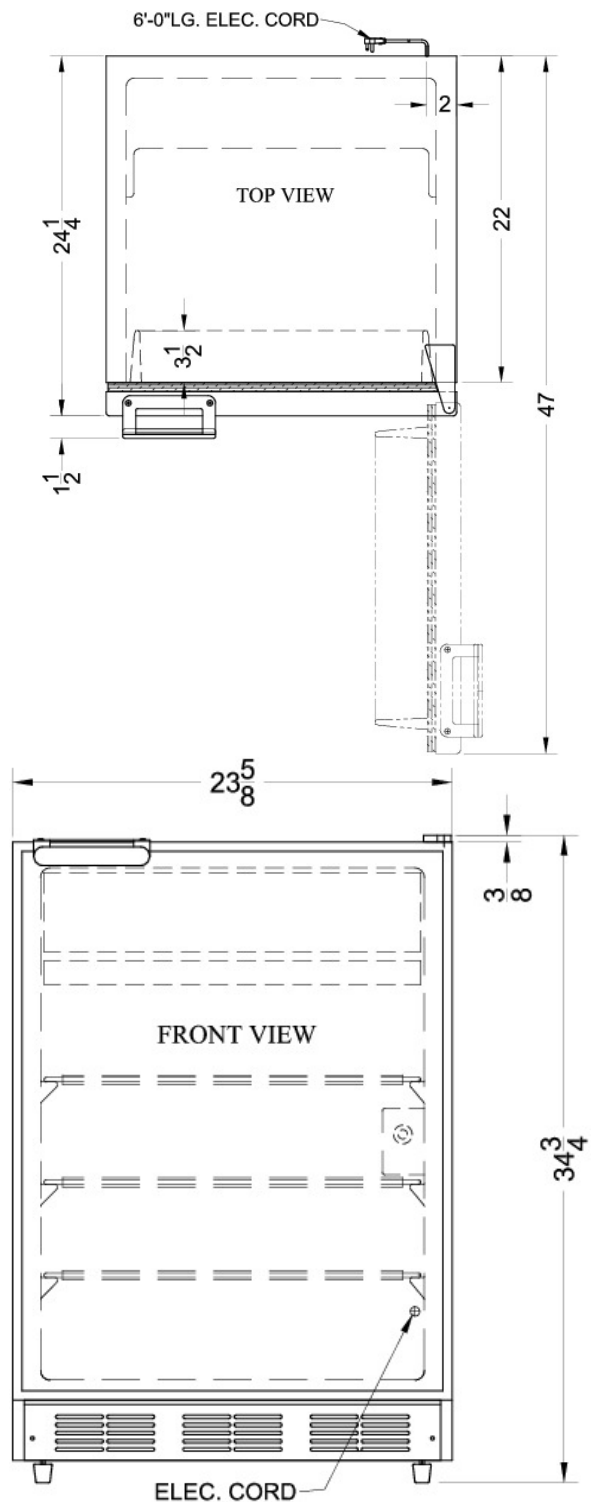
- Flexible design allows built-in or freestanding use
- Insert a custom panel on the door for the perfect look
- Options available in automatic or manual defrost
- Perfectly sized to fit under counters and in tight 24 inch spaces



Built-in capable	Make the best use of space by installing your refrigerator-freezer under the counter and flush with other cabinets
Large capacity	Interior offers a full 6 cubic feet of storage space
Adjustable shelves	Rearrange your refrigerator space to accommodate all shapes and sizes or remove shelves for a simple clean-up
Adjustable thermostat	Manage your food's temperature with ease and accuracy
Digital thermostat	Get the most precise temperature management with a digital thermostat, standard on "FF" auto defrost units
Automatic defrost	"FF" units use automatic defrost operation in both the refrigerator and freezer compartments
Manual defrost	No temperature fluctuations with a static manual defrost system that keeps the cold inside
Interior light	Automatically illuminates when you open the door
Slim undercounter dimensions	Perfectly sized at 24 inches wide for easy placement in any location
Stainless steel door frame	Models ending in "FR" let you customize your front by inserting a panel on the door frame

Specifications:

Height	34.38"
Width	23.63"
Depth	24.25"
Capacity	6.1 cu.ft.
Ext Depth with Handle	25.75"
Interior Height 1	20.25"
Interior Width 1	21.0"
Interior Depth 1	20.5"
Interior Height 2	5.0"
Interior Width 2	21.0"
Interior Depth 2	20.5"
Weight	130.0 lbs.
Amps	0.9
Energy Usage/Year	342.0 kWh/year
Voltage/Frequency	115 V AC/60 Hz
US Electrical Safety	UL
Door Swing	RHD
Shelf Quantity	3
Adjustable Shelf	true
Shelf Type	Wire
Full Door Shelf Quantity	3
Defrost Type	Manual
Height to Hinge Cap	34.75"
Depth with door at 90°	47.0"
Light	true
Thermostat Type	Dial
Fan Type	Exterior
Condensor Location	Rear of Unit
Freon Type	R134a
High Side PSI	235.0
Level Legs Quantity	4
Freon Oz	3.0
Low Side PSI	140.0
Parts/Labor Warranty	1 Year
Compressor Warranty	5 Years



Summit Appliance Division, Felix Storch, Inc.
 770 Garrison Ave • Bronx, NY 10474
 Phone: 718-893-3900 • Fax: 718-842-3093
 Email: info@summitappliance.com