

INSTALLATION INSTRUCTIONS WALL HUNG LAVATORIES



Thank you for selecting the Crane Plumbing wall hung lavatory. To insure this product is installed properly, please read these instructions carefully before you begin. This high quality, vitreous china fixture is meant to provide many years of service, but can be damaged by improper handling and/or installation. Be sure your installation conforms to local codes.

PRE INSTALLATION

Unpack the lavatory. Take a moment to check the fixture to make sure there is no damage. Verify that you have all the necessary tools, fittings, and connection hardware to complete the installation.

INSTALLATION

- 1 A lavatory is heavy. Provide suitable structural support behind the finished wall for the hanger lag screws.

The wall, or whatever material the screws are attached to, must be of sufficient strength to fully support the lavatory.

It may be necessary to install a 2 x 6 board behind the finished wall. Position the board between two studs so the front surface of the board is flush with the front of the studs. The finished wall is then applied over the board.

Certain lavatories have two (2) holes at the back plate for the placement of additional anchor screws. The solid structure of the wall must be present in order to place anchor screws through these holes.

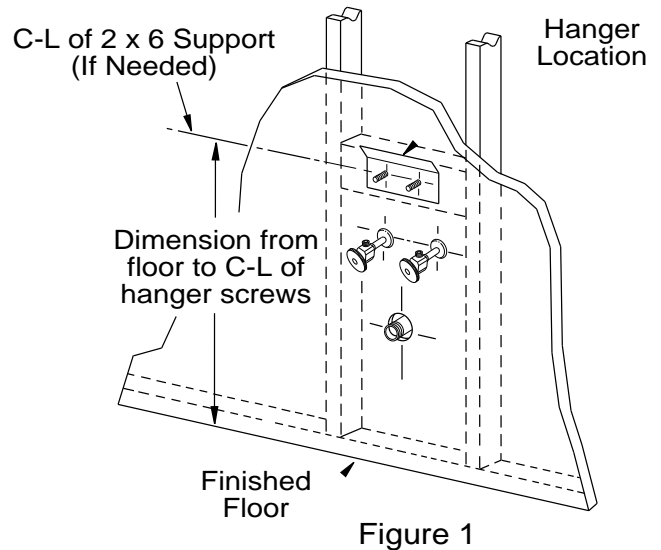
- 2 Refer to the chart in Figure 2 to determine the placement of the lavatory hanger. A typical lavatory rim height above the floor is 31" Residential and 34" ADA Maximum.

Dimension "A" indicates the center of the hanger mounting screws. Measure and then use a level to draw a plumb line for the screws.

- 3 Hold the steel hanger against the wall marking sure it is centered over the waste outlet hole.

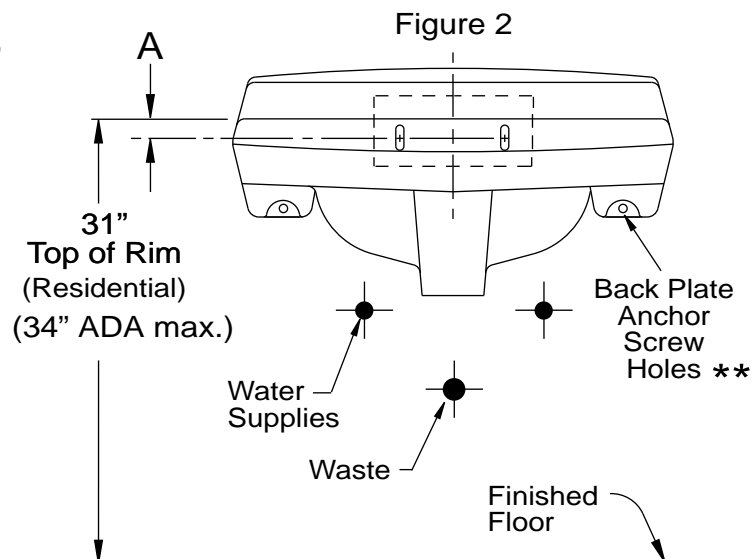
Align the hanger so the plumb line for the screws is centered in the slots. Mark the locations on the wall.

Drill pilot holes for the hanger. Certain lavatories are shipped with steel hangers that are somewhat different than the one illustrated. All hangers should be mounted using the slots rather than the holes in order to provide adjustment if required.



| Model | Dimension "A" |
|----------------------|---------------|
| 1300 | 3/4" |
| 1318 1320 1377 | 1-1/2" |
| 1412 | 1" |
| 4556 | 3/4" |
| 4656 * 4658 * | 1-1/4" |
| 4642 * | 1-1/8" |

* Indicates lavatory uses Uni-lox[®] Hanger



** Holes not present on all lavatories.

4 Put the hanger in place and secure it with the screws. Check to see that the hanger is level before tightening into position.

5 Place the lavatory on the wall hanger, making sure its rear lip is securely engaged with the hanger and that it is centered on the hanger. The lavatory may be leveled by loosening the left hanger screw and raising or lowering the left side of the hanger. When lavatory is level, tighten both hanger screws.

6 Anchor the lower back of the lavatory to the wall with two (2) screws / anchor bolts through the right and left mounting holes through the china. (Not applicable for all lavatory models.) See Figure 3.

The Uni-Lox[®] hanger has tabs that support the underside of the lavatory. Toggle bolts with washers must be installed through these tabs into the lavatory to properly secure the lavatory.

Install toggle bolts with washers when using the Uni-Lox[®] Hanger

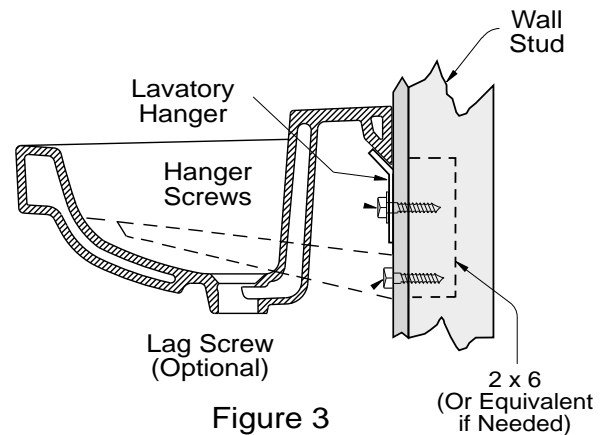
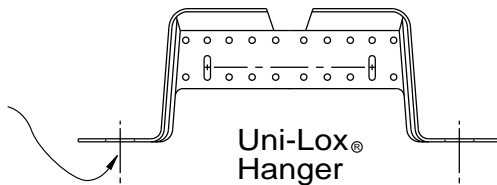


Figure 3

CAUTION: Install fasteners in china snugly. Do Not overtighten as this can crack the china.

7 The 1373 CORNATE corner lavatory is hung from the wall with two (2) smaller hangers. As with other lavatories, there must be suitable support behind the finished wall for the hanger screws. As illustrated in Figure 4 the lavatory is hung in the corner with one hanger on each wall. Once the proper hanger height above the floor has been determined, fasten each hanger to the supports with two lag screws per hanger.

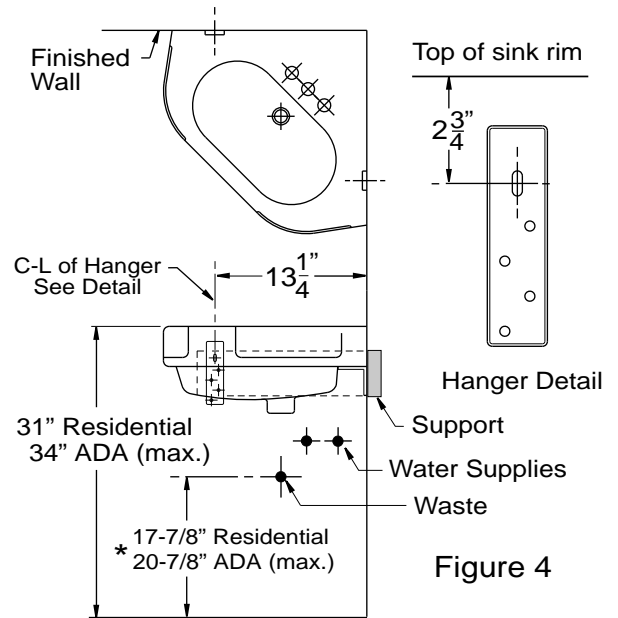


Figure 4

* NOTE: Suggested Dimension-Variable depending upon type of supply and waste

8 Connect and tighten the water supply fittings, waste piping, and pop up. (See Figure 5)

This fixture is virtually maintenance free. Clean it with any non-abrasive household cleaner and a soft cloth. Avoid striking it with metal objects, as they tend to mar the surface. These marks, or heavy soil, can be removed with a soft cleaner meant for glazed surfaces.

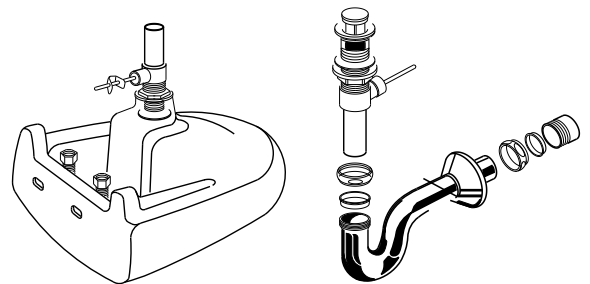


Figure 5

CR/PL 1235 Hartrey Avenue Evanston, IL. 60202

Limited Five Year Warranty

Subject to the "Exclusions" set forth below, CR/PL promises to the consumer to repair, or at the option of CR/PL, to replace any part of this plumbing product which proves to be defective in workmanship or materials under normal use for five years from the date of purchase. All costs of removal, transportation and reinstallation to obtain warranty service shall be paid by the consumer. During this five year period, CR/PL will provide, subject to the "Exclusions" section set forth below, all parts free of charge, necessary to correct such defects if this plumbing product has been installed and maintained in accordance with written instructions furnished by CR/PL with this plumbing product.

Exclusions: CR/PL PRODUCTS SHALL NOT BE LIABLE FOR INCIDENTAL OR CONSEQUENTIAL DAMAGES, INCLUDING COSTS OF INSTALLATION

OR WATER DAMAGE, OR FOR DAMAGES RESULTING FROM ABUSE OR MISUSE OR FROM FAILURE TO INSTALL OR MAINTAIN THIS PLUMBING PRODUCT IN ACCORDANCE WITH THE WRITTEN INSTRUCTIONS FURNISHED BY CR/PL PRODUCTS. USE OF CLEANING PRODUCTS CONTAINING CALCIUM HYPOCHLORITE (CHLORINE) SHALL CONSTITUTE IMPROPER MAINTENANCE. SOME STATES DO NOT ALLOW THE EXCLUSION OR LIMITATION OF INCIDENTAL OR CONSEQUENTIAL DAMAGES, SO THE ABOVE LIMITATION MAY NOT APPLY TO THE CONSUMER. THE ONLY WARRANTY MADE BY CR/PL PRODUCTS IS SET FORTH ABOVE AND ALL IMPLIED WARRANTIES WHICH MIGHT ARISE, INCLUDING THE IMPLIED WARRANTIES OF MERCHANTABILITY OR FITNESS FOR A

PARTICULAR PURPOSE ARE HEREBY EXCLUDED.

Warranty Service: In order to obtain warranty service or adjustments, contact the builder, dealer or plumber from whom the product was purchased, or the Customer Service Department, CR/PL Products, 201 East Fifth Street, Mansfield, OH 44901 (419/522-4211). In obtaining warranty service, all transportation, shipping and freight charges connected with transporting any part of this plumbing product must be prepaid by the consumer. It is the responsibility of the consumer to establish the warranty period by verifying the original purchase date. A bill of sale, cancelled check or some other appropriate payment record may be kept for this purpose. This warranty gives you specific legal rights. You may also have other rights which vary from state to state.