

THE  
SHARPER  
IMAGE®

# Multifunctional Cooling & Adjustable Laptop Stand

RTA-SIB0082-M615  
INSTRUCTIONS



Read and save these instructions

Dear Sharper Image Customer,

We hope you are thrilled with your purchase of this Sharper Image product from RTA Products, LLC under license. Please accept our assurance of your complete satisfaction with its quality and performance.

For over thirty years, The Sharper Image® has shared with its customers a genuine enthusiasm for innovative merchandise, sleek design and imaginative use of new technologies in well-priced products that make everyday life better and more enjoyable. Those are the ideas behind the exclusive line of Sharper Image Accessories.

RTA Products and The Sharper Image® will do all we can to reward your confidence in us. RTA Products, LLC is a great organization, with superior customer service, generous return privileges and excellent warranties. We appreciate having the opportunity to exceed your expectations in quality, value and service.

Thank you. Enjoy your purchase!

## TABLE OF CONTENTS

Product Warranty Details .....	1-2
Contact Information .....	3
Package Includes .....	4
Specifications .....	4
Product Parts List .....	5
Product Details .....	6
Assembly Steps .....	7-9
Product Operation Remarks .....	10

## RTA PRODUCTS, LLC 1 YEAR WARRANTY

RTA Products, LLC Warrants this product against defects in materials and/or workmanship under normal use for a period of ONE (1) YEAR from the date of purchase by the original purchaser (“Warranty Period”). If a defect arises and a valid claim is received within the Warranty Period, at its option, RTA Products, LLC will either 1) repair the defect at no charge, using new or refurbished replacement parts, or 2) replace the product with a new product that is at least functionally equivalent to the original product.

**Obtaining Service:** To obtain warranty service, call RTA Products, LLC Limited Warranty Service at 1-866-782-8262. Please be prepared to describe the product that needs service and the nature of the problem. A purchase receipt is required. All repaired and replacements must be authorized in advance. Service options, parts availability and response times will vary. You are responsible for delivery and the cost of delivery of the product or any parts to the authorized service center for replacement, per our instructions.

**Limits and Exclusions:** Coverage under this Limited Warranty is limited to the Continental United States of America. This warranty does not apply to: a) damage caused by failure to follow instructions relating to the product’s use or the installation of components; b) damage caused by accident, abuse, misuse, fire, floods, earthquake or other external causes; c) damage caused by service performed by anyone who is not a representative of RTA Products, LLC; d) accessories used in conjunction with a covered product; e) a product or part that has been modified to alter functionality or capability; f) items intended to be periodically replaced by the purchaser during the normal life of the product

including, without limitation, batteries or light bulbs; g) any product sold “as is” including, without limitation, floor demonstration models and refurbished items; or h) a product that is used commercially or for a commercial purpose.

**RTA Products, LLC shall not be liable for incidental or consequential damages resulting from the use of this product, or arising out of any breach of this warranty. To the extent permitted by applicable law, RTA Products, LLC disclaims any and all statutory or implied warranties, including, without limitation, warranties of merchantability, fitness for a particular purpose and warranties against hidden or latent defects. If RTA Products, LLC cannot lawfully disclaim statutory or implied warranties, then to the extent permitted by law, all such warranties shall be limited in duration to the duration of this express warranty.**

Some states disallow the exclusion or limitation of incidental or consequential damages or how long an implied warranty lasts, so the above exclusions or limitations may not apply to you. This warranty gives you specific legal rights and you may also have other rights, which vary from state to state.

THE SHARPER IMAGE® name and logo are registered trademarks. Manufactured and Marketed by RTA Products, LLC under license.

© The Sharper Image. All Rights Reserved

## CONTACT INFORMATION

DO NOT return to the store or online retailer if parts are missing or damaged.

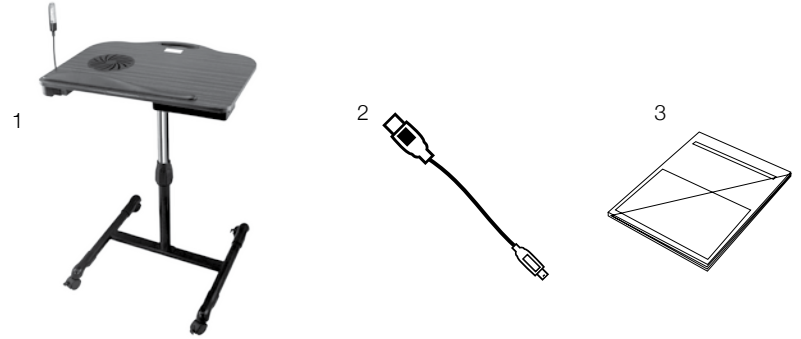
For inquiries, please call us at Toll-Free 1-866-782-8262 , e-mail us at support@rtaproducts.com.

To ensure a timely delivery, please include the following:

1. Full Name
2. Physical Address
3. Phone Number
4. Item style number
5. Part Number(s) or Letter(s)
6. Quantity
7. Please provide a brief description of the reason for your request.

Our Customer Service Representatives will be available to assist you Monday –Friday 9:00am to 4:30pm Eastern Standard Time

## PACKAGE INCLUDES



1. Multifunctional Cooling & Adjustable Laptop Stand
2. USB Cable
3. Instruction Manual

## SPECIFICATIONS

Overall Size: 21¼"W x 17"D x 26"- 32"H

Net Weight: 12 lbs

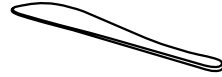
## PRODUCT PARTS LIST



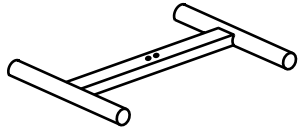
1. Upright Tube



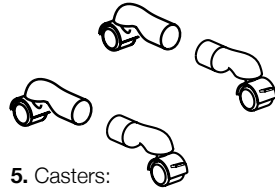
2. Main Panel



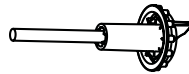
3. Safety Edge Bar



4. Metal Base



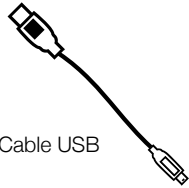
5. Casters:  
2 locking, 2 non-locking



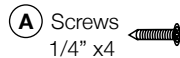
6. Connector



7. Spring



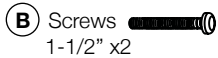
8. Cable USB



**A** Screws  
1/4" x4



**D** Tool



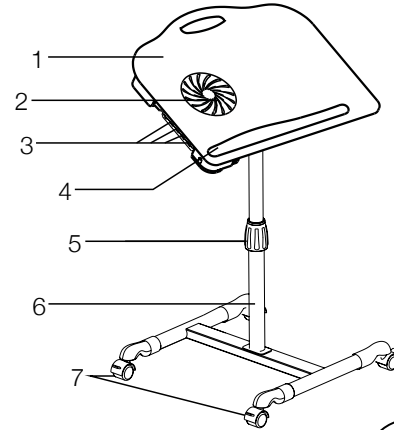
**B** Screws  
1-1/2" x2



**C** Washers x2

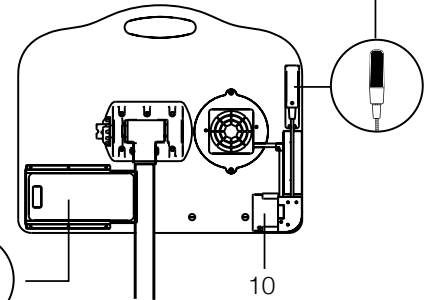
5

## PRODUCT DETAILS



**Front**

1. Main Panel
2. USB Fan
3. USB Hub
4. Safety Edge Bar
5. Height Adjust Knob
6. Upright Tube
7. Casters



**Back**

6

## ASSEMBLY STEPS

### FOLLOW DRAWINGS ON NEXT PAGES

STEP 1: Use Screws (A) to assemble the Casters (5) with the Base (4). Tighten them with a screwdriver (not included).

STEP 2: Use Screws (B) and Washers (C) to fix the Upright Tube (1) to the Base (4).

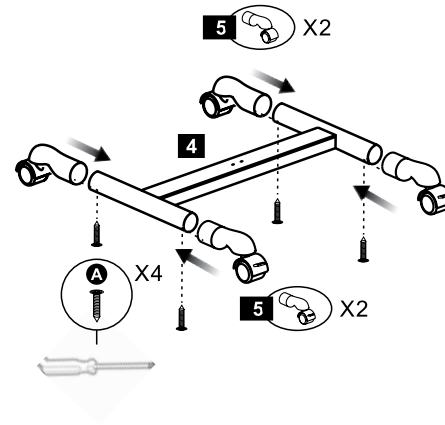
STEP 3: Place the Main Panel (2) upside down over a clean surface. Slide the Spring (7) over the Connector Tube (6). Then fit the Upright Tube (1) on the support of the Main Panel (2) and assemble both using the Connector Tube (6).

STEP 4: Press the Safety Edge Bar (3) over the holes of the Main Panel (2).

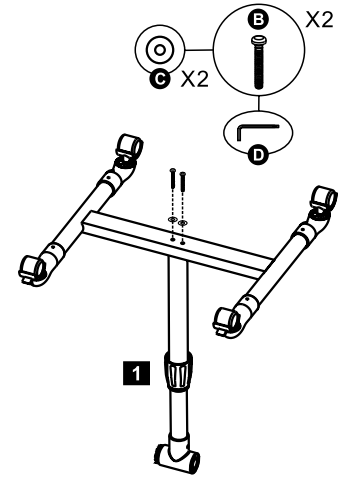
STEP 5: You are ready to enjoy this unique product. Please read the Product Operation Remarks section on page 8.

## ASSEMBLY STEPS

### STEP 1

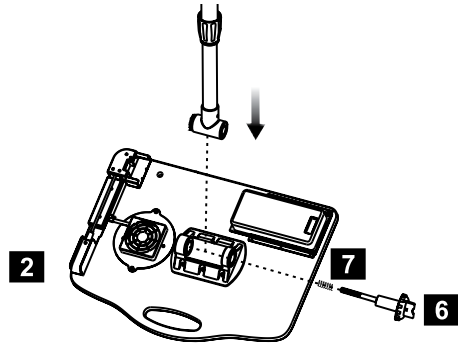


### STEP 2

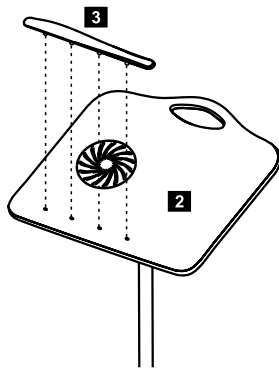


## ASSEMBLY STEPS

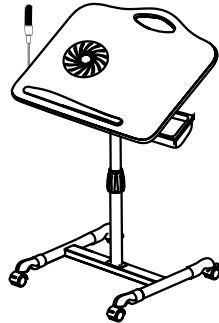
### STEP 3



### STEP 4



### STEP 5



## PRODUCT OPERATION REMARKS

Connect the USB Cable (8) from the Fan to the USB port of the laptop to activate fan.

Slide out the storage for additional space.

To adjust the height or rotate the Main Panel (2), unlock the knob on the Upright Tube (1), set at desired position, then turn the knob again to lock.

To tilt and set the Main Panel (2) to a different viewing angle, unscrew the Connector (6) about 2 turns, set Main Panel (2) at the desired position, and then tighten the Connector (6).

To use the LED Light you need to install 3 AA Batteries (Not Included).

To install the batteries, remove the battery compartment, slide its cap off and install the batteries. Never mix used batteries with new ones.