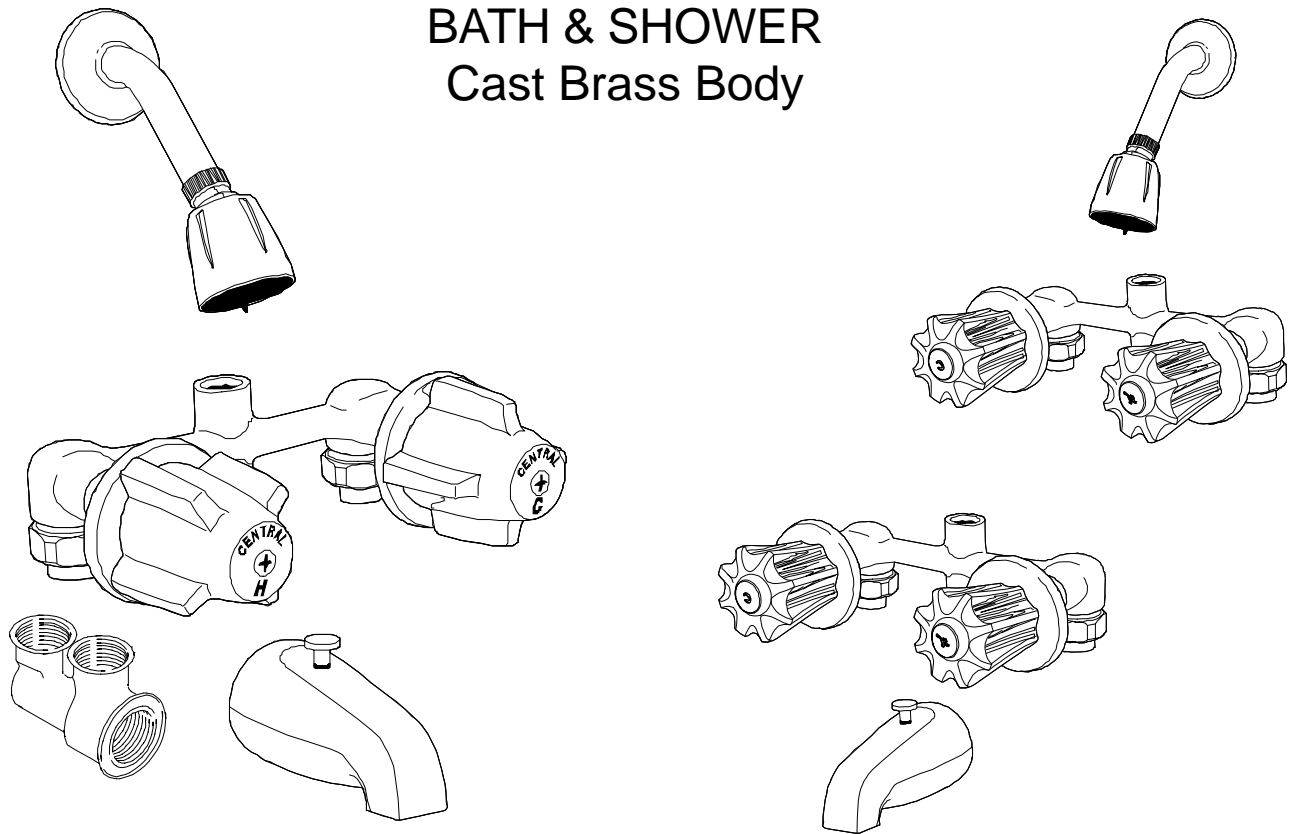


Central Brass®

The Easy Choice

TWO-VALVE BATH FILLER, SHOWER & BATH & SHOWER Cast Brass Body



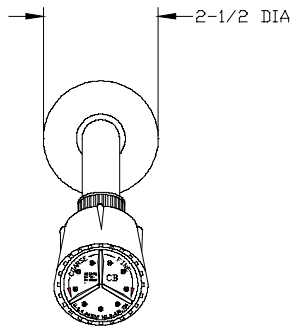
6" Centers, I.P. Unions, Compression Stems, Replaceable Seats

6056 Series	Bath Valve only
6066 Series	Bath Filler Valve only with Twin Ell & 3/4 IPS Diverter
6076 Series	Bath & Shower Valve same as 6066 w/ Shower Head, Arm & Flange
6086 Series	Bath Filler Valve with 1/2 IPS Brass Spout
6266 Series	Shower Valve with Shower Head, Arm & Flange

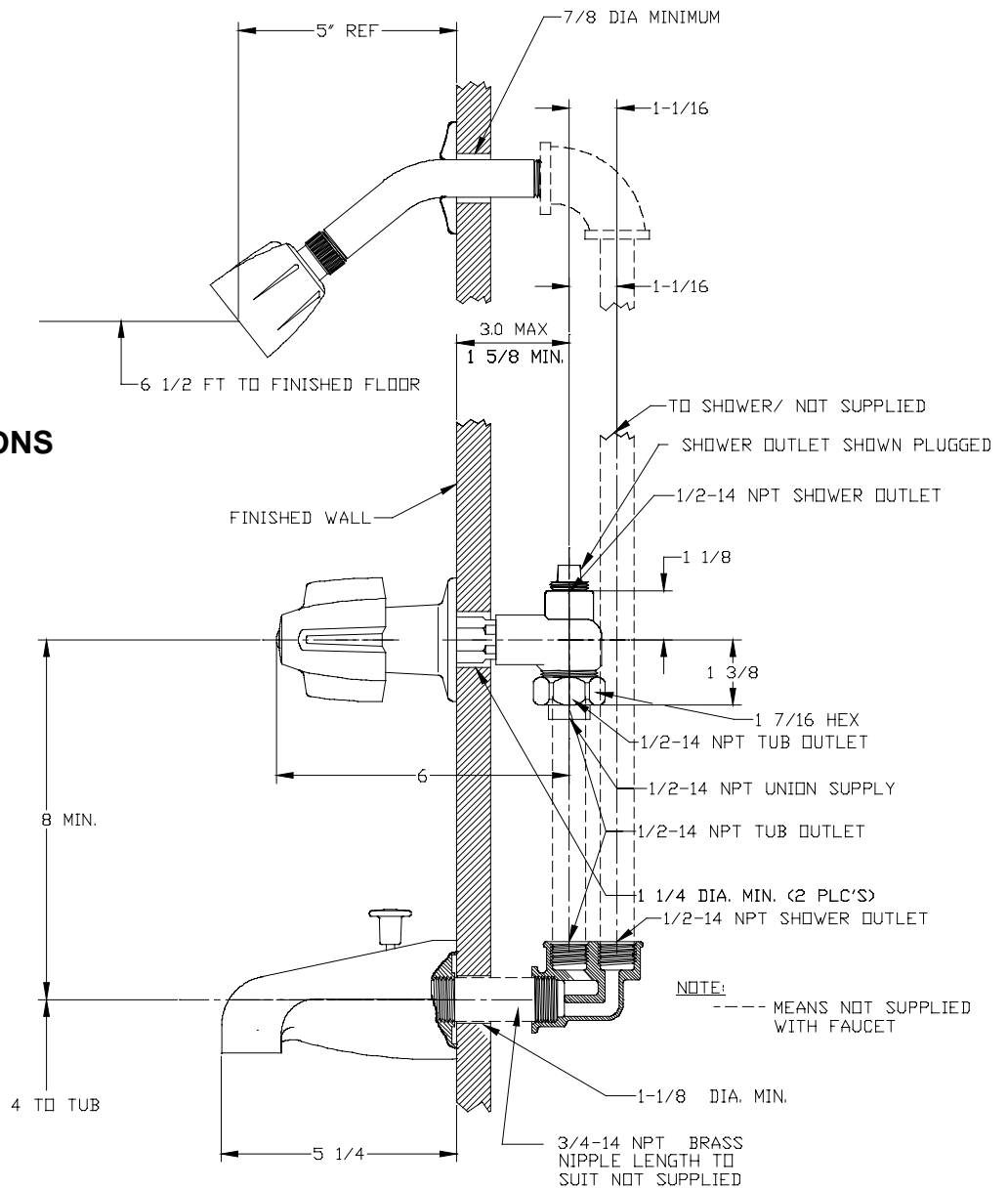
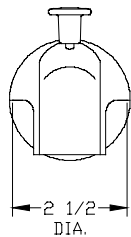
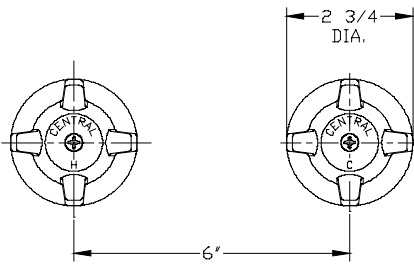
CENTRAL BRASS MFG CO

2950 East 55th Street, Cleveland, Ohio 44127

Phone: 216-883-0220 Fax: 216-883-0875 Email: sales @CentralBrass.com



INSTALLATION INSTRUCTIONS



Roughing In Instructions

1. Locate and install valve assembly as shown.
2. Connect hot and cold supply lines.
3. Fabricate and install line for showerhead and spout.
4. Anchor fittings to studs in proper location.
5. Test for operation and leakage before finishing wall.
6. Install protectors on all exposed fittings.

3/4 IPS Diverter Spout

NOTE: Flush waterlines to remove debris before installation.

Finishing Instructions

1. Remove fitting protectors.
2. Apply putty as required to prevent water damage to wall.
3. Install finished trim.
4. Test for operation and leakage.

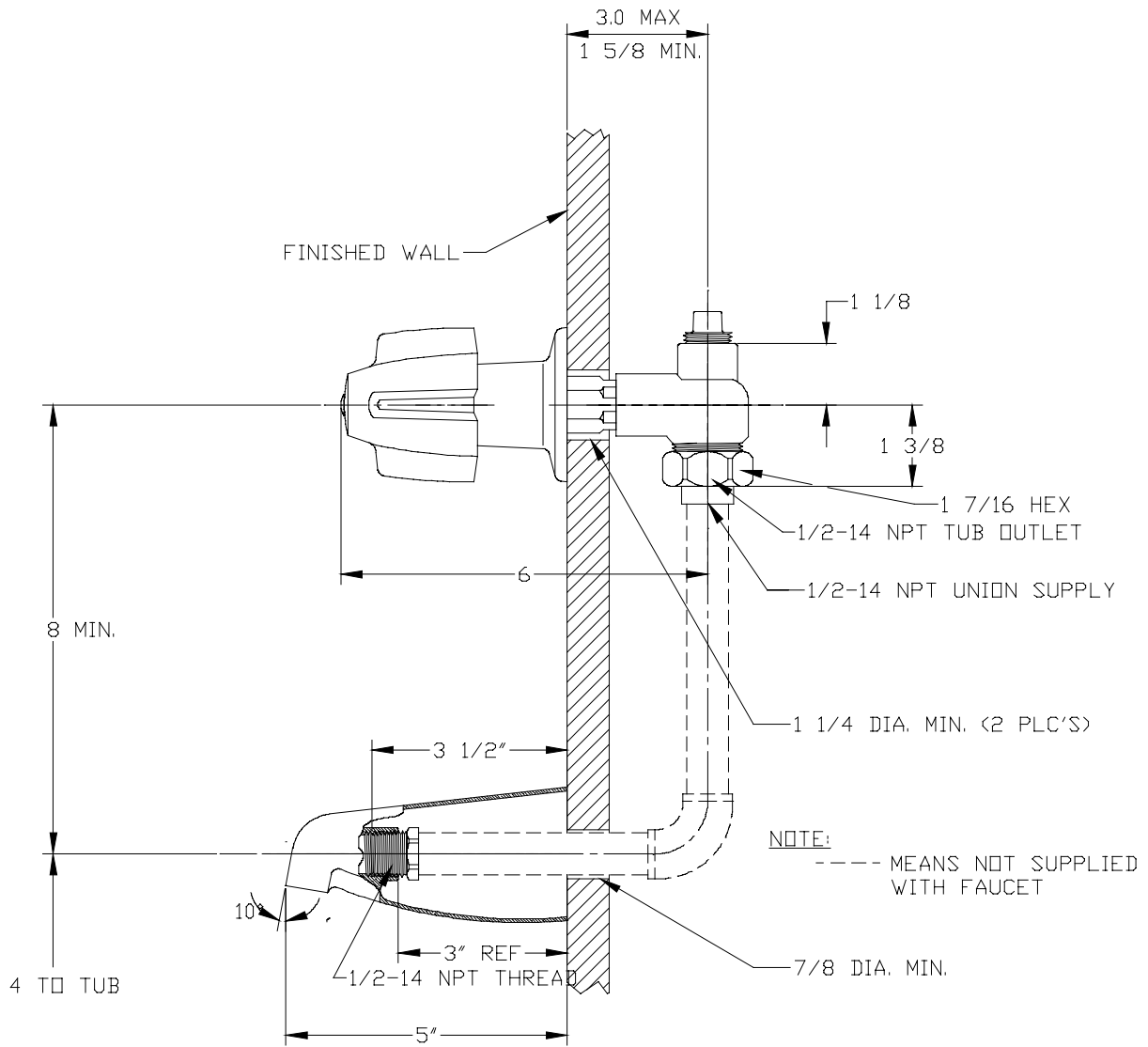
CENTRAL BRASS MFG CO

2950 East 55th Street, Cleveland, Ohio 44127

Phone: 216-883-0220

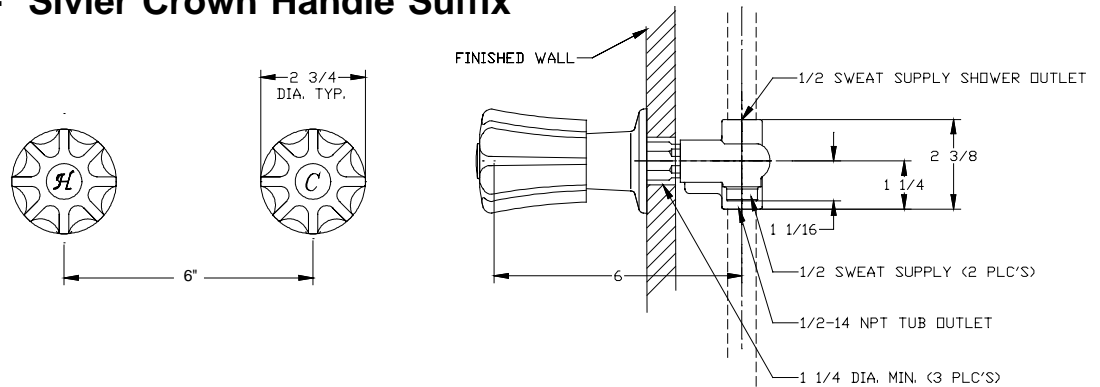
Fax: 216-883-0875

Email: sales @CentralBrass.com



1/2 IPS Brass Spot

80 - Silver Crown Handle Suffix

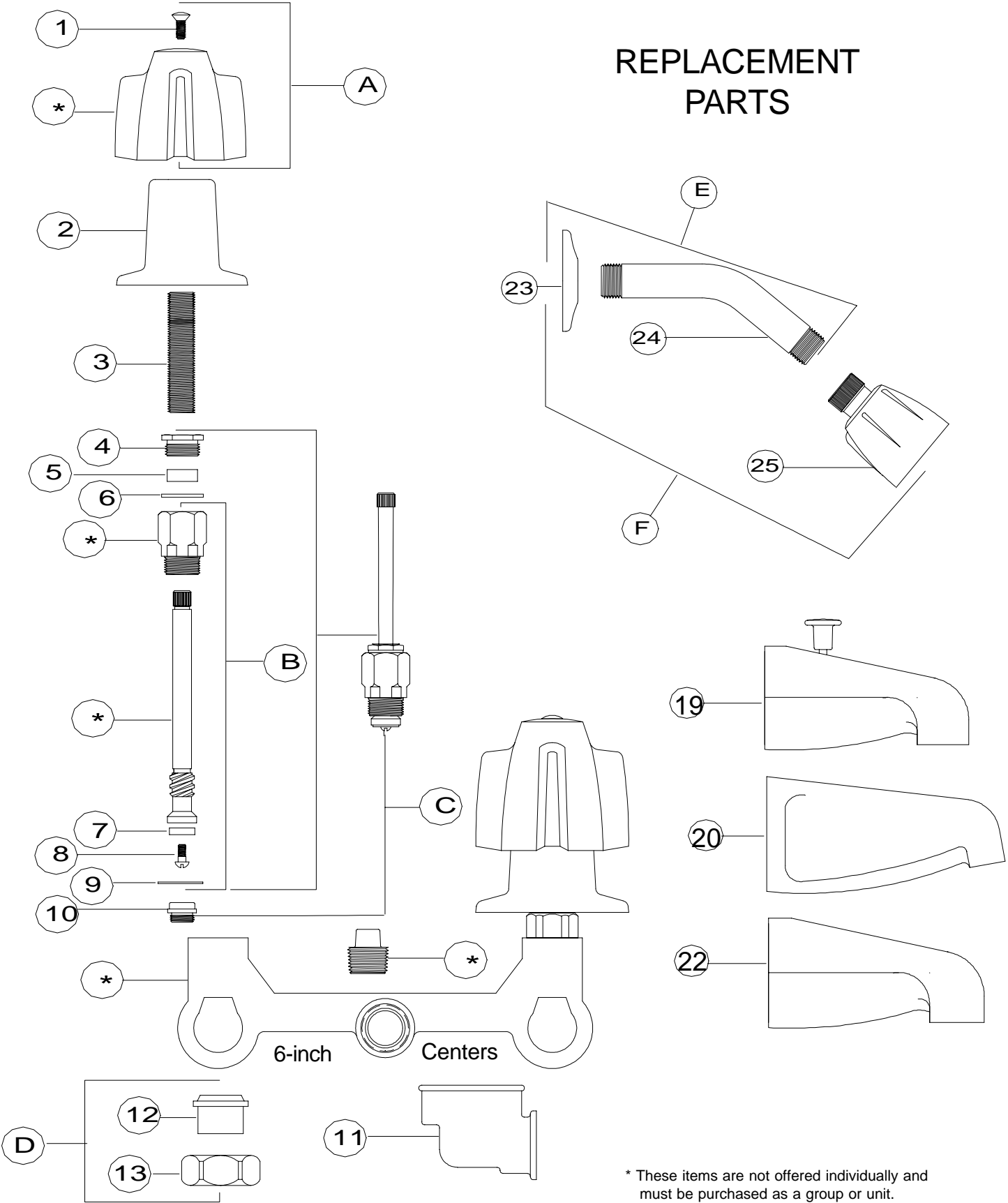


CENTRAL BRASS MFG CO

2950 East 55th Street, Cleveland, Ohio 44127

Phone: 216-883-0220 Fax: 216-883-0875 Email: sales@CentralBrass.com

REPLACEMENT PARTS



* These items are not offered individually and must be purchased as a group or unit. Please contact Central Brass for more information.

CENTRAL BRASS MFG CO

2950 East 55th Street, Cleveland, Ohio 44127

Phone: 216-883-0220 Fax: 216-883-0875 Email: sales @CentralBrass.com

REPLACEMENT PARTS

#	Part #	Description
A	G-508-C	Large Canopy Handle indexed C with Screw (X107-F)
A	G-508-H	Large Canopy Handle indexed H with Screw (X107-F)
B	G-1549-CT	Stem & Bonnet Group with Seat Washer (X901-WN) & Screw (X104)
C	K-3-CT	Complete Stem Assembly with Gasket (X1028-Y) & Bronze Seat (X263-BC)
D	G-30	IP Union Sleeve (X1875) & Nut (X1876-BB)
E	3007-6	6-inch Shower Arm (714-WT-02) & Flange (X1035-SS)
F	G-3113-6	Shower Head (3034-1/2-02), 6-inch Shower Arm (714-WT-02) & Flange (X1035-SS)
1	X107-F	Handle Screw (25 pcs per pack)
2	521-B	Escutcheon
3	X269-29/16	2 ⁹ / ₁₆ Long Nipple (10 pcs per pack)
4	X765-TA	Packing Nut (6 pcs per pack)
5	X814-BA	Packing (10 pcs per pack)
6	X4-L	Packing Washer (6 pcs per pack)
7	X901-WNN	Seat Washer (25 pcs per pack)
8	X104	Seat Washer Screw (25 pcs per pack)
9	X1028-Y	Gasket (25 pcs per pack)
10	XPF-263-B	Replacement Seat (4 pcs per pack)
11	1161-B	Twin Ell for items 6066 & 6076 only
12	X1875	IP Union Sleeve (2 pcs per pack)
13	X1876-BB	Coupling Nut (2 pcs per pack)
19	1061-AZ3/4	¾ IPS Diverter Spout for items 6066 & 6076 only
20	3145-D	½ IPS Brass Spout for item 6086 only
22	3154-Z	Zamak Spout for item 6086-Z only
23	X1035-SS	Shower Arm Flange (10 pcs per pack)
24	714-WT-02	6-inch Shower Arm
25	3034-1/2-02	Shower Head 2.5 GPM

OPTIONS & REPLACEMENT PARTS

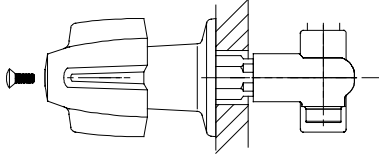
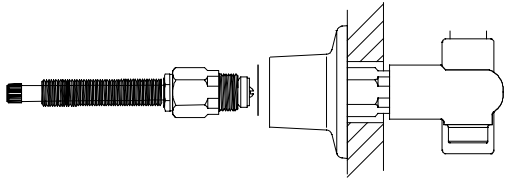
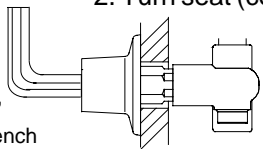
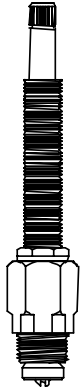

Suffix Number	Replaces Item #	Part Number	Description
80	A	K-505-1C	Silver Crown Acrylic Handles with indexed C metal button (G-503-M-02)
		K-505-1H	Silver Crown Acrylic Handles with indexed H metal button (G-503-M-02)
		X126-625B	Handle Screw for Acrylic Handles suffix 80 (6 pcs per pack)
		G-503-M-02	Metal indexed buttons C & H for Acrylic Handles suffix 80 (one pair per pack)
C	D	G-30-C	Direct Sweat Union Sleeve (X1875) & Nut (X1876-BB) For C suffix items only
		12	X1875-C
	10	X263-BC	Bronze Replacement Seat (10 pcs per pack)
	E	3007-8	8-inch Shower Arm (714-WT-02) & Flange (X1035-SS)
	F	G-3113-8	Shower Head (3034-1/2-02), 8-inch Shower Arm (714-WT-02) & Flange (X1035-SS)
		Accessories	
		G-1548-ET	Stem Extension with Screw (X105-F)
		X105-F	Screw for stem extension (4 pcs per pack)

CENTRAL BRASS MFG CO

2950 East 55th Street, Cleveland, Ohio 44127

Phone: 216-883-0220 Fax: 216-883-0875 Email: sales @CentralBrass.com

CENTRAL BRASS MAINTENANCE INSTRUCTIONS

DISASSEMBLY	REPLACEMENT
<div style="border: 1px solid black; padding: 5px; margin-bottom: 10px;"> <p>1 REMOVE HANDLE</p> <ol style="list-style-type: none"> 1. Turn off water supply 2. Remove the handle screw & handle 3. Unscrew the escutcheon  </div> <div style="border: 1px solid black; padding: 5px; margin-bottom: 10px;"> <p>2 REMOVE STEM ASSEMBLY</p> <ol style="list-style-type: none"> 1. Use adjustable wrench. 2. Turn stem to open position 3. Unscrew counterclockwise. Remove stem unit.  </div> <div style="border: 1px solid black; padding: 5px;"> <p>3 REMOVE SEAT</p> <ol style="list-style-type: none"> 1. Insert 5/16" allen wrench in seat. 2. Turn seat (counterclockwise) to remove.  <p style="font-size: small;">Use 5/16" Allan Wrench</p> <p style="text-align: right; font-size: small;">For Compression stems only</p> </div>	<div style="border: 1px solid black; padding: 10px; text-align: center; margin-bottom: 20px;"> <p>4</p> <p>Use Only Central Replacement Parts</p> </div> <div style="display: flex; justify-content: space-around; align-items: center;"> <div style="text-align: center;"> <p>K-3-CT</p>  </div> <div style="text-align: center;"> <p>K-351-C</p>  </div> </div> <p style="font-size: small; margin-top: 20px;">NOTE: If replacing compression units with ceramic units make sure PF-263-B seat is removed from body before installing stem units.</p> <p style="text-align: center; font-weight: bold; margin-top: 10px;">Replace components In reverse order of disassembly</p>

- If faucet has round handles (70 or 80 suffixes) , use two Hot stem assemblies
- If faucet has lever handles, use one Hot and one Cold stem assemblies

CENTRAL BRASS MFG CO
 2950 East 55th Street, Cleveland, Ohio 44127
 Phone: 216-883-0220 Fax: 216-883-0875 Email: sales @CentralBrass.com