

# Central Brass®

The Easy Choice

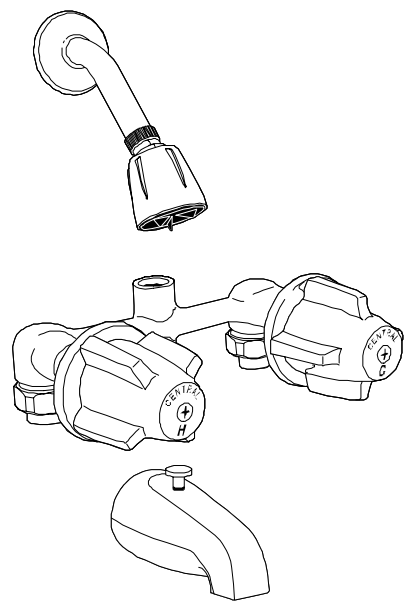
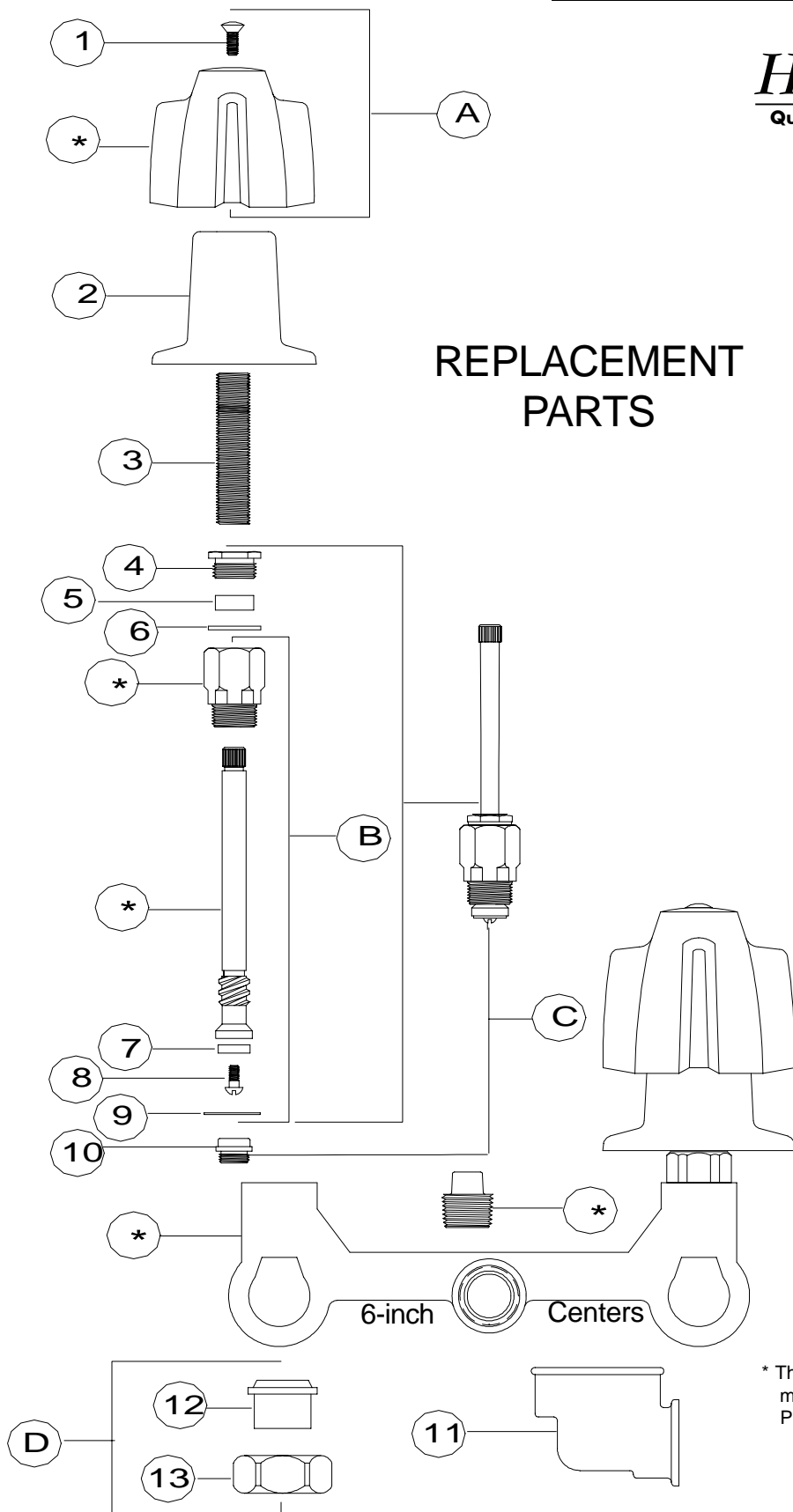
2950 East 55<sup>th</sup> St. Cleveland, Ohio 44127

Phone: (216) 883-0220 Fax: (216) 883-0875

www.CentralBrass.com

**MODEL NOS. 6056 6066 6076**  
**6086 & 6266 Series**  
**Two-Valve Bath & Shower Fitting**  
**I.P. Unions 6-inch Centers**

*Heart of Brass*  
 Quality Castings Made in USA



\* These items are not offered individually and must be purchased as a group or unit. Please contact Central Brass for more information.

# Central Brass®

The Easy Choice

2950 East 55<sup>th</sup> St. Cleveland, Ohio 44127

Phone:(216)883-0220 Fax: (216)883-0875

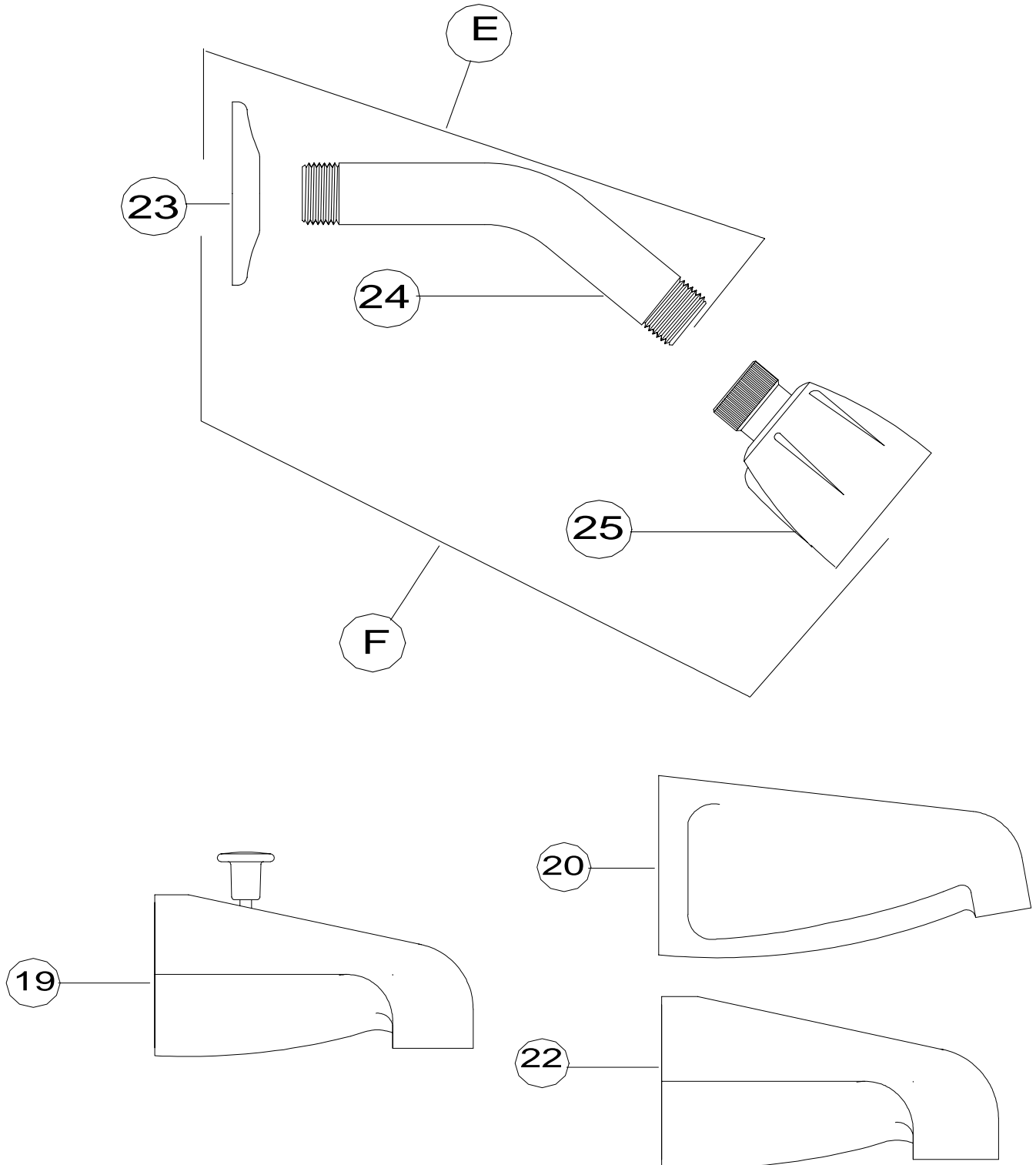
www.CentralBrass.com

MODEL NOS. 6056 6066 6076

6086 & 6266 Series

**Two-Valve Bath & Shower Fitting**

**I.P. Unions 6-inch Centers**



\* These items are not offered individually and must be purchased as a group or unit. Please contact Central Brass for more information.

**MODEL NOS. 6056 6066 6076**  
**6086 & 6266 Series**  
**Two-Valve Bath & Shower Fitting**  
**I.P. Unions 6-inch Centers**

## REPLACEMENT PARTS

#	Part #	Description
A	G-508-C	Large Canopy Handle indexed C with Screw (X107-F)
A	G-508-H	Large Canopy Handle indexed H with Screw (X107-F)
B	G-1549-CT	Stem & Bonnet Group with Seat Washer (X901-WN) & Screw (X104)
C	K-3-CT	Complete Stem Assembly with Gasket (X1028-Y) & Bronze Seat (X263-BC)
D	G-30	IP Union Sleeve (X1875) & Nut (X1876-BB)
E	3007-6	6-inch Shower Arm (714-WT-02) & Flange (X1035-SS)
F	G-3113-6	Shower Head (3034-1/2-02), 6-inch Shower Arm (714-WT-02) & Flange (X1035-SS)
1	X107-F	Handle Screw (25 pcs per pack)
2	521-B	Escutcheon
3	X269-29/16	2 <sup>9</sup> / <sub>16</sub> Long Nipple (10 pcs per pack)
4	X765-TA	Packing Nut (6 pcs per pack)
5	X814-BA	Packing (10 pcs per pack)
6	X4-L	Packing Washer (6 pcs per pack)
7	X901-WNN	Seat Washer (25 pcs per pack)
8	X104	Seat Washer Screw (25 pcs per pack)
9	X1028-Y	Gasket (25 pcs per pack)
10	XPF-263-B	Replacement Seat (4 pcs per pack)
11	1161-B1/2	Twin Ell ½ inch Cast Brass for items 6066 & 6076 only
12	X1875	IP Union Sleeve (2 pcs per pack)
13	X1876-BB	Coupling Nut (2 pcs per pack)
19	1061-AZ1/2	½ IPS Diverter Spout for items 6066 & 6076 only
20	3145-D	½ IPS Brass Spout for item 6086 only
22	3154-Z	Zamak Spout for item 6086-Z only
23	X1035-SS	Shower Arm Flange (10 pcs per pack)
24	714-WT-02	6-inch Shower Arm
25	3034-1/2-02	Shower Head 2.5 GPM

- If faucet has round handles (G-508) or (80 suffix) , use two Cold stem assemblies
- If faucet has lever handles, use one Hot and one Cold stem assemblies

**MODEL NOS. 6056 6066 6076**  
**6086 & 6266 Series**  
**Two-Valve Bath & Shower Fitting**  
**I.P. Unions 6-inch Centers**

**OPTIONS & REPLACEMENT PARTS**  
**for options (see replacement part sheets for individual items)**

Suffix Number	Replaces Item #	Part Number	Description
80	A	K-505-1C	Silver Crown Acrylic Handles with indexed C metal button (G-503-M-02)
		K-505-1H	Silver Crown Acrylic Handles with indexed H metal button (G-503-M-02)
		X126-625B	Handle Screw for Acrylic Handles suffix 80 (6 pcs per pack)
		G-503-M-02	Metal indexed buttons C & H for Acrylic Handles suffix 80 (one pair per pack)
C	D	G-30-C	Direct Sweat Union Sleeve (X1875) & Nut (X1876-BB) For C suffix items only
		12	X1875-C
	10	X263-BC	Bronze Replacement Seat (10 pcs per pack)
	E	3007-8	8-inch Shower Arm (714-WT-02) & Flange (X1035-SS)
	F	G-3113-8	Shower Head (3034-1/2-02), 8-inch Shower Arm (714-WT-02) & Flange (X1035-SS)
		<b>Accessories</b>	
		G-1548-ET	Stem Extension with Screw (X105-F)
		X105-F	Screw for stem extension (4 pcs per pack)

- If faucet has round handles (G-508) or (80 suffix) , use two Cold stem assemblies
- If faucet has lever handles, use one Hot and one Cold stem assemblies