

Central Brass

C O M P A N Y

Brecksville, Ohio 44141

Phone: (216) 883-0220 Fax: (440) 526-5745

www.CentralBrass.com

MODEL NO. 0126-A
KITCHEN TOPMOUNT

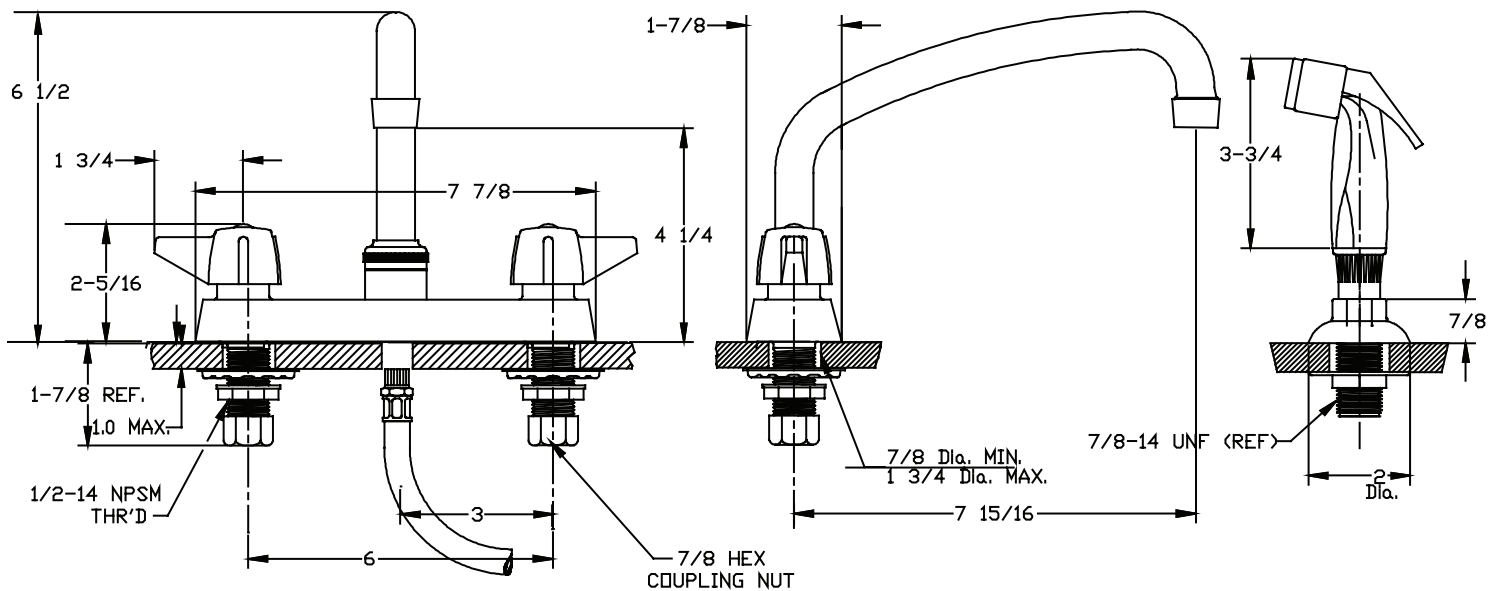
The 6-inch center topmounted kitchen faucet has a cast brass body that is copper, nickel and chrome plated. The compression stems are all brass with a double O-Ring seal and rubber seat washer. The canopy handles are zinc die cast with a chrome plated finish. The 8-inch swivel spout is brass with a chrome plated finish and is fitted with a water saving aerator that limits the flow rate. The O-Rings and seals are rubber. The faucet has a spray rinse attachment that is connected with a 48-inch nylon hose with a chrome plated hose guide.



Flow Rate: 2.0 GPM @ 60 psi
ADA Compliant and Meets ASME A112.18.1M
Certified by IAPMO R&T to NSF/ANSI 61



Installation Drawing



Central Brass

C O M P A N Y

Brecksville, Ohio 44141

Phone: (216) 883-0220 Fax: (440) 526-5745

www.CentralBrass.com

MODEL NO. 0126-A
KITCHEN TOPMOUNT

Suffix Options
& Accessories

Handle variations available

Wrist 4-inch

Elbow 6-inch



G-4147 (4-inch)
G-4149 (6-inch)



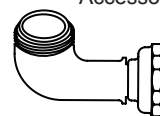
Faucets with lever, wrist or elbow handles with compression or ceramic stem cartridges are ADA compliant.

Spout variations available

- A2 - Suffix
10-inch Brass Tube Spout
- A3 - Suffix
12-inch Brass Tube Spout
- A4 - Suffix
14-inch Brass Tube Spout

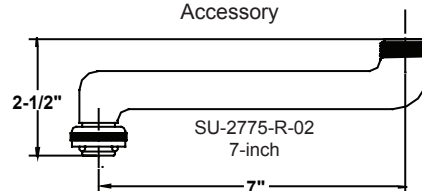


Wall Mount
Spout Adaptor
Accessory



G-1748-88W

Cast Brass Spout
Extension
Accessory



Central Brass

C O M P A N Y

Brecksville, Ohio 44141

Phone: (216) 883-0220 Fax: (440) 526-5745

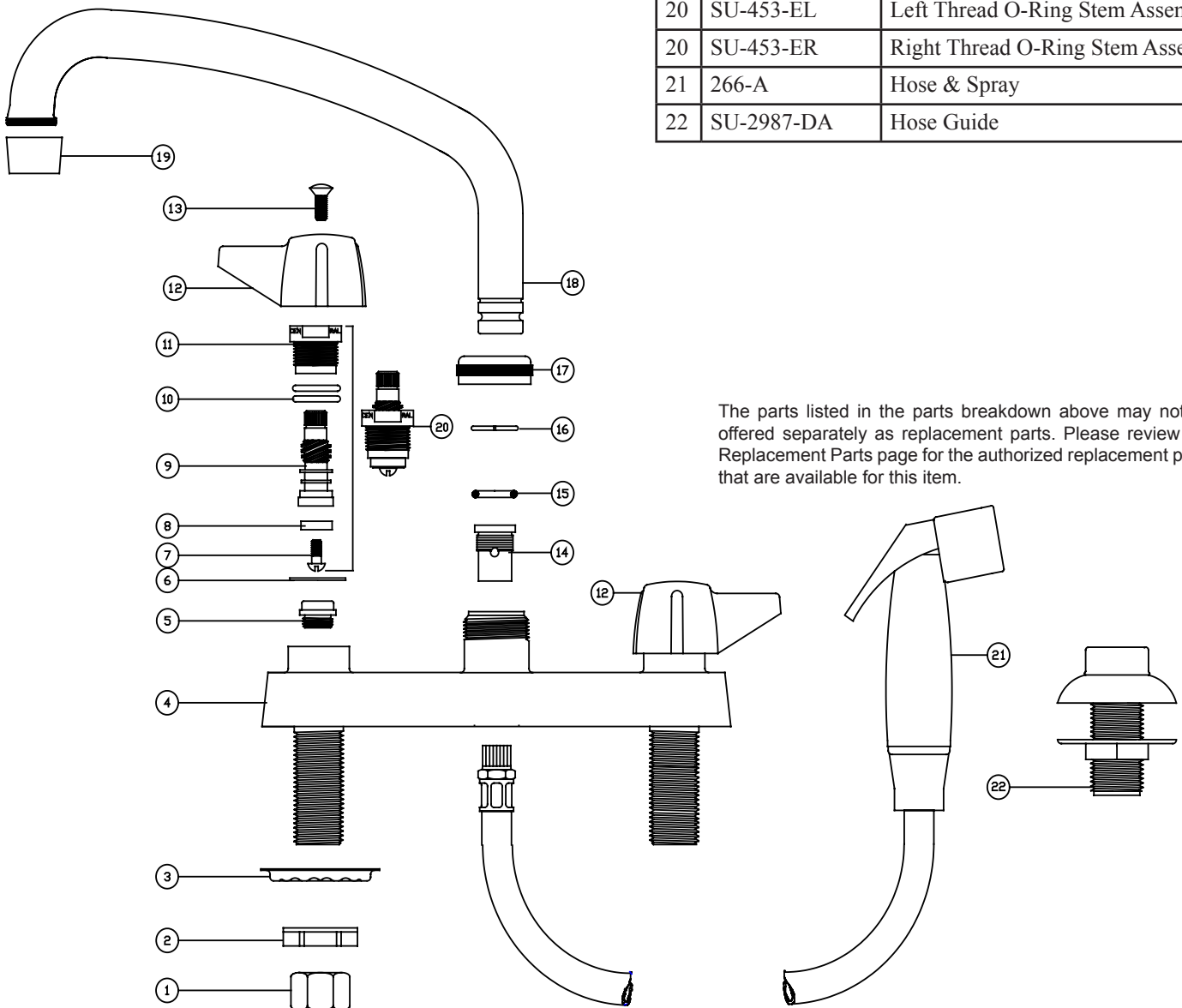
www.CentralBrass.com

**MODEL NO. 0126-A
KITCHEN TOPMOUNT**

Parts Breakdown

#	Part #	Description
1	4015-BARP	Brass Coupling Nut
2	7133-AZ	Zinc Dichromate Locknut
3	54	Steel Crowfoot Washer
2	2158-ANT	Brass Faucet Body
5	263-BC	Bronze Seat
6	1028-Y	Nylon Gasket
7	104	Brass Seat Washer Screw
8	901-WNN	Seat Washer
9	453-FL	Brass Left Thread O-Ring Stem
9	453-FR	Brass Right Thread O-Ring Stem

#	Part #	Description
10	1038-453	O-Ring
11	453-EWC	Brass Left Thread O-Ring Bonnet
11	453-EWH	Brass Right Thread O-Ring Bonnet
12	523-C	Handle Indexed "C"
12	523-H	Handle Indexed "H"
13	107-F	Brass Phillips Head Screw
14	SU-167-DP	Diverter Piston Assembly
15	1038-KN	O-Ring
16	166-FN	Stainless Steel Snap Ring
17	PF-782-DES	Brass Spout Nut
18	PF-363-RA	Brass Swivel Spout
19	30-M	Female Aerator
20	SU-453-EL	Left Thread O-Ring Stem Assembly
20	SU-453-ER	Right Thread O-Ring Stem Assembly
21	266-A	Hose & Spray
22	SU-2987-DA	Hose Guide



The parts listed in the parts breakdown above may not be offered separately as replacement parts. Please review the Replacement Parts page for the authorized replacement parts that are available for this item.