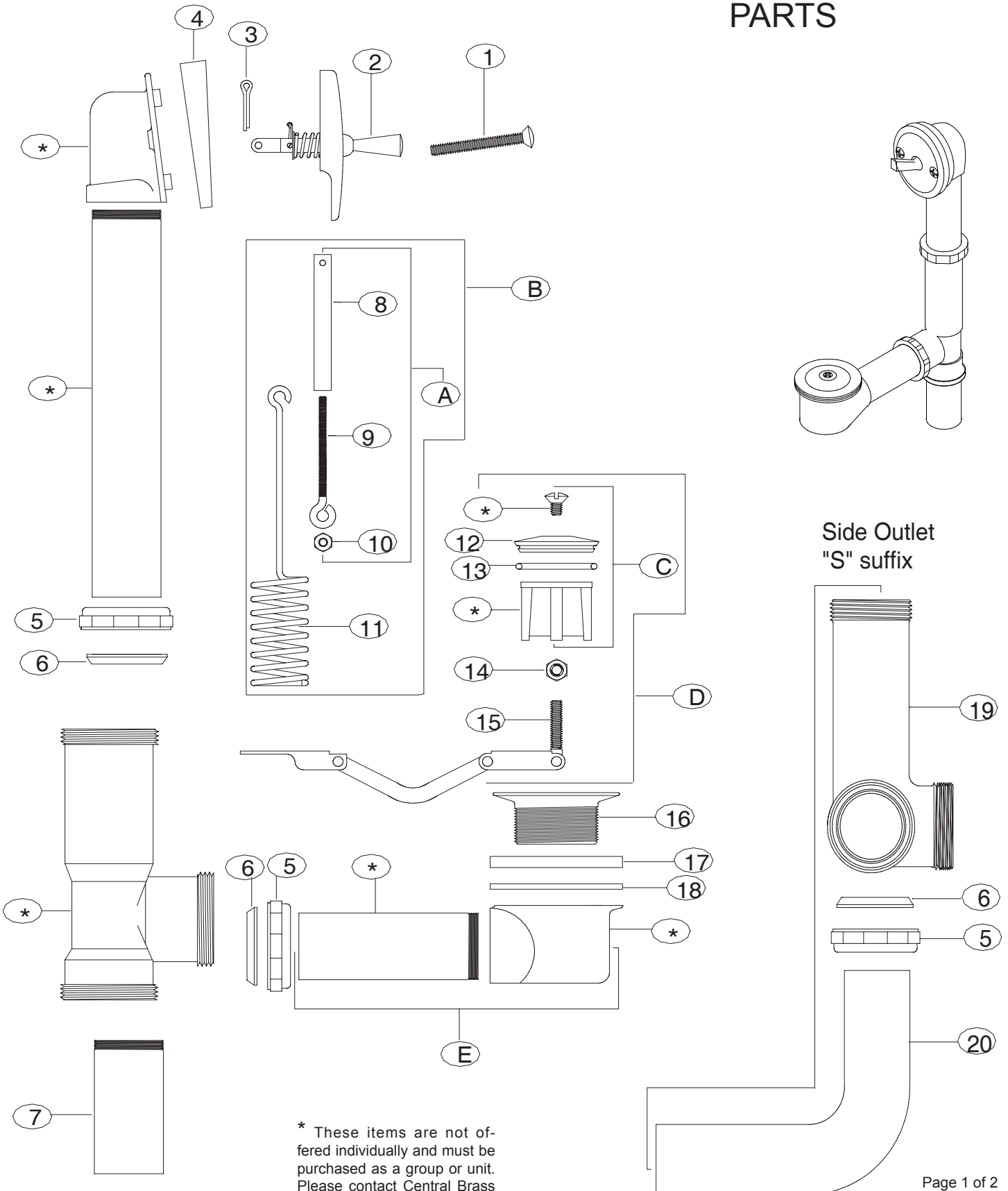


REPLACEMENT PARTS



* These items are not offered individually and must be purchased as a group or unit. Please contact Central Brass for more information.

REPLACEMENT PARTS

#	Part #	Description
A	SU-85-U	Clevis (61-LU) with Eyebolt (X85-U) & Nut (X1081-N)
B	SU-85-K	Spring Linkage (85-K) with Clevis (61-LU), Eyebolt (X85-U) & Nut (X1081-N)
C	G-3359-A	Strainer Plug group with Plug (PF-3359-A) & Guide
D	SU-3359-A	Strainer Plug assembly with Plug (PF-3359-A), Guide & Rocker Arm (SU-85-APF)
E	SU-3026-B	Drain Shoe & Tube (PF-731-A)
1	X127-AP21/4	Face Plate Screw (6 pcs per pack)
2	SU-83-AZ	Trip Lever Face Plate
3	X222-D	Cotter Pin (6 pcs per pack)
4	990-L	Sponge Washer
5	X3008-BP	Coupling Nut (4 pcs per pack)
5	X3008-X	Brass Coupling Nut (2 pcs per pack) for "X" suffix only
6	X149-RP	Slip Joint Washer (25 pcs per pack)
7	PF-731-G	3 inch Tailpiece
8	61-LU	Brass Clevis
9	X85-U	2 ¹¹ / ₁₆ inch Eyebolt (2 pcs per pack)
10	X1081-N	Brass Hex Nut (10 pcs per pack)
11	85-K	8 ¹ / ₁₆ inch Drain Spring
12	PF-3359-A	Brass Drain Plug
13	X1038-W	O-Ring (10 pcs per pack)
14	X207-B	Brass Hex Nut (6 pcs per pack)
15	SU-85-APF	Rocker Arm Assembly with flat platform end
16	3362	Brass Strainer Plug Body
17	X991-A	Washer (4 pcs per pack)
18	X991	Washer (4 pcs per pack)
19	3370	Side Outlet Drain Tee Body for "S" suffix only
20	731-K	90 degree bent Brass Tube for "S" suffix only
	85-FW	Flat Steel Wrench to assemble Strainer Body (3362)

For Other Multi-Tub Drains

See Item **1555** for Light Pattern Multi-Tub Trip Lever Bath Drain

See Item **1655** for Heavy Pattern Multi-Tub Trip Lever Bath Drain with Cast Brass Tee & Top Ell

See Item **1665** for Heavy Pattern Multi-Tub Trip Lever Bath Drain with Cast Brass Tee, Top Ell & Plug Body