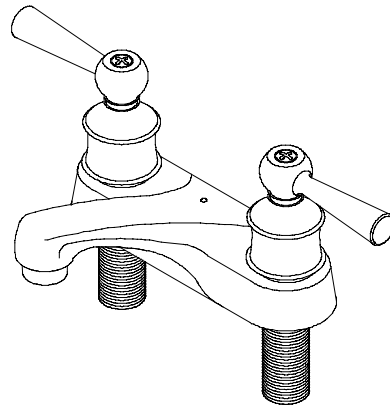
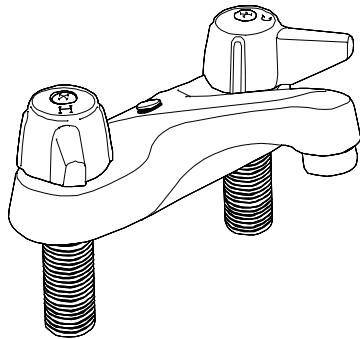


Central Brass®

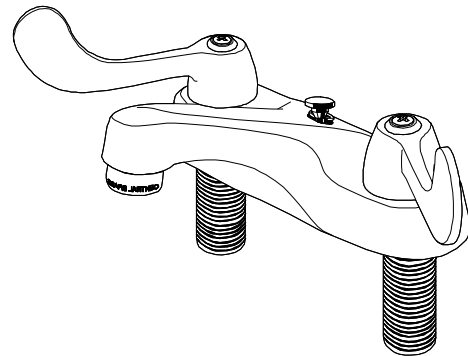
The Easy Choice

Centerset Faucet

4-Inch Centers
Cast Brass Body



1137 - Series
1138 - Series
81137 - Series
101137 - Series
181137 - Series
201137 - Series
281137 - Series



Faucets with lever, wrist or elbow handles and compression or ceramic stem cartridges are ADA compliant.



Certified to
ANSI/NSF 61 Section 9

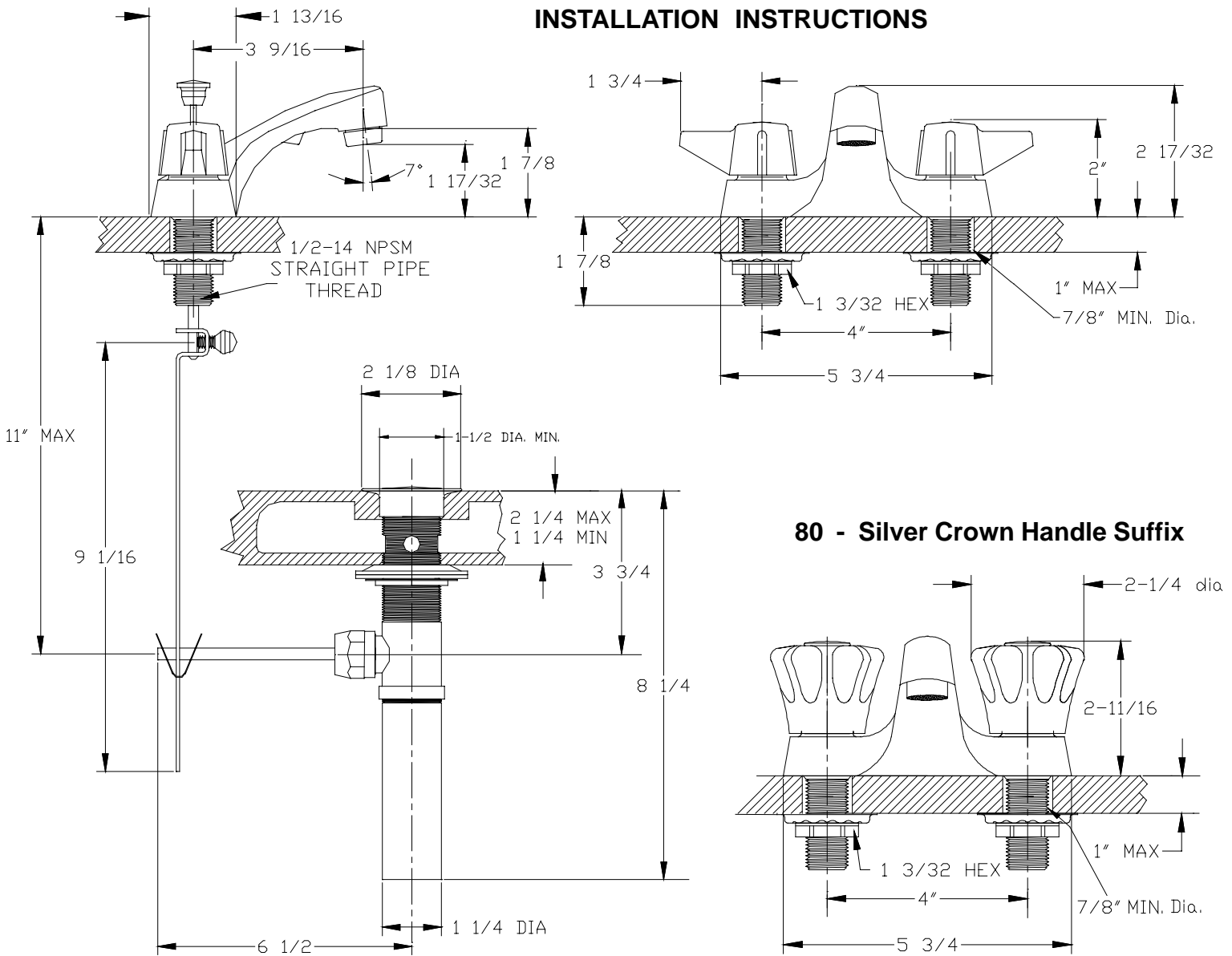
CENTRAL BRASS MFG CO

2950 East 55th Street, Cleveland, Ohio 44127

Phone: 216-883-0220 Fax: 216-883-0875 Email: sales @CentralBrass.com

www.CentralBrass.com

INSTALLATION INSTRUCTIONS



80 - Silver Crown Handle Suffix

GUIDE FOR INSTALLING CENTERSET

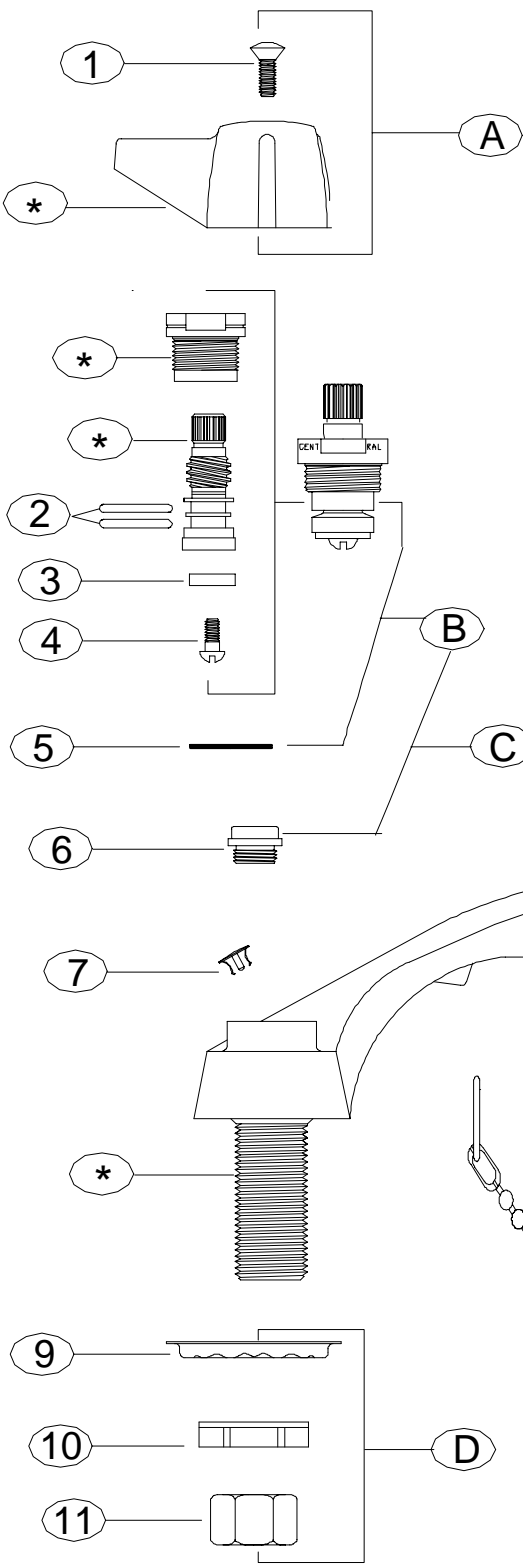
1. Apply a layer of soft putty (plumbers set) to underside of faucet body. Insert threaded faucet shanks down through holes in lavatory.
2. From underside assemble steel washer (54) and locknut (7133-AL) on each shank and tighten securely.
3. Connect faucet to water supply lines as indicated by hot and cold handles. Brass coupling nuts (4015-BAR) are provided.
4. Turn on supply lines. Check all connections for leakage.
5. Turn on hot and cold water for one minute to flush out dirt and sediment that might have accumulated during installation.
6. Install aerator onto end of spout.

CENTRAL BRASS MFG CO

2950 East 55th Street, Cleveland, Ohio 44127

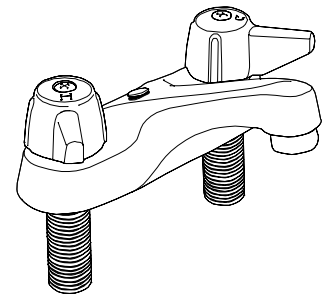
Phone: 216-883-0220 Fax: 216-883-0875 Email: sales @CentralBrass.com

REPLACEMENT PARTS



#	Part #	Description
A	G-523-C	Lever Handle C Indexed with Screw (X107-F)
A	G-523-H	Lever Handle H Indexed with Screw (X107-F)
B	G-453-EL	Cold O-Ring Stem Assembly with Gasket (X1028-Y)
B	G-453-ER	Hot O-Ring Stem Assembly with Gasket (X1028-Y)
C	K-453-C	Cold O-Ring Stem Assembly with Gasket (X1028-Y) and Seat (X263-BC)
C	K-453-H	Hot O-Ring Stem Assembly with Gasket (X1028-Y) and Seat (X263-BC)
D	G-913-A	Coupling Nut group (2 sets)
D	G-95-A	Coupling Nut group (1 set)
1	X107-F	Handle Screw (25 pcs per pack)
2	X1038-453	O-Rings (25 pcs per pack)
3	X901-WNN	Stem Seat Washer (25 pcs per pack)
4	X104	Seat Washer Screw (25 pcs per pack)
5	X1028-Y	Gasket (25 pcs per pack)
6	X263-BC	Replacement Seat (10 pcs per pack)
7	X70-WA	Plug Hole Button (6 pcs per pack) for items without Pop-up Drain
8	30-L	Aerator (Male)
9	X54	Crowfoot Washer (10 pcs per pack)
10	X7133-AL	Locknut (10 pcs per pack)
11	X4015	Coupling Nut (4 pcs per pack)
12	G-192-UB	Ring, Chain & Stopper for item 1138 only

* These items are not offered individually and must be purchased as a group or unit. Please contact Central Brass for more information.



CENTRAL BRASS MFG CO

2950 East 55th Street, Cleveland, Ohio 44127

Phone: 216-883-0220

Fax: 216-883-0875

Email: sales @CentralBrass.com

For 1137 Series ONLY

OPTIONS & REPLACEMENT PARTS

Suffix Number	Replaces Item #	Part Number	Description
EL	A	G-4149-C	6-Inch Brass Wrist Handles – Index Blue (X107-FB)
EL	A	G-4149-H	6-Inch Brass Wrist Handles – Index Red (X107-FR)
ELS	A	G-4147-C	4-Inch Brass Wrist Handles – Index Blue (X107-FB)
ELS	A	G-4147-H	4-Inch Brass Wrist Handles – Index Red (X107-FR)
X	A	G-1143-C	Brass Canopy Handles – Index Blue (X107-FB) & Brass Locknut group (G-913-X)
X	A	G-1143-H	Brass Canopy Handles – Index Red (X107-FR) & Brass Locknut group (G-913-X)
		X107-FB	Blue Index (5 pcs per pack) Used for EL, ELS and X suffix's
		X107-FR	Red Index (5 pcs per pack) Used for EL, ELS and X suffix's
70	A	K-506-1C	Acrylic Handle with indexed C metal button
70	A	K-506-1H	Acrylic Handle with indexed H metal button
80	A	K-504-1C	Silver Crown Acrylic Handle with indexed C metal button
80	A	K-504-1H	Silver Crown Acrylic Handle with indexed H metal button
		X126-625B	Handle Screw for Acrylic Handles suffix's 70 or 80 (6pcs per pack)
		G-503-M-02	Metal indexed buttons C & H for Acrylic Handles suffix's 70 or 80 (one pair per pack)
M	6	X263-BM	Replaceable Monel Seat (2 pcs per pack)
M	B	G-453-ELM	Cold Compression O-Ring Stem Assembly with Monel Seat Screw (X104-ML)
M	B	G-453-ERM	Hot Compression O-Ring Stem Assembly with Monel Seat Screw (X104-ML)
M	4	X104-ML	Monel Seat Screw (6 pcs per pack)
Q	B	G-454-EL	Cold Quick-Pression Quarter-Turn O-Ring Stem Assembly with Gasket (X1028-Y)
Q	B	G-454-ER	Hot Quick-Pression Quarter-Turn O-Ring Stem Assembly with Gasket (X1028-Y)
Prefix Number	Replaces Item #	Part Number	Description
8	B & 6	K-352-C	Ceramic-disc Stem Cartridge Cold with Gasket (X1028-Y)
8	B & 6	K-352-H	Ceramic-disc Stem Cartridge Hot with Gasket (X1028-Y)
10 & 18	A	K-512-02	Handle Kit for Villager Collection with Chrome Lever (one pair)
10 & 18	A	K-512-15	Handle Kit for Villager Collection with White Lever (one pair)
		XSU-512-G-02	Handle Lever Grip chrome plated (2 pcs per pack)
		XSU-512-G-15	Handle Lever Grip white (2 pcs per pack)

- If faucet has round handles (70 or 80 suffixes) , use two Hot stem assemblies
- If faucet has lever handles, use one Hot and one Cold stem assemblies

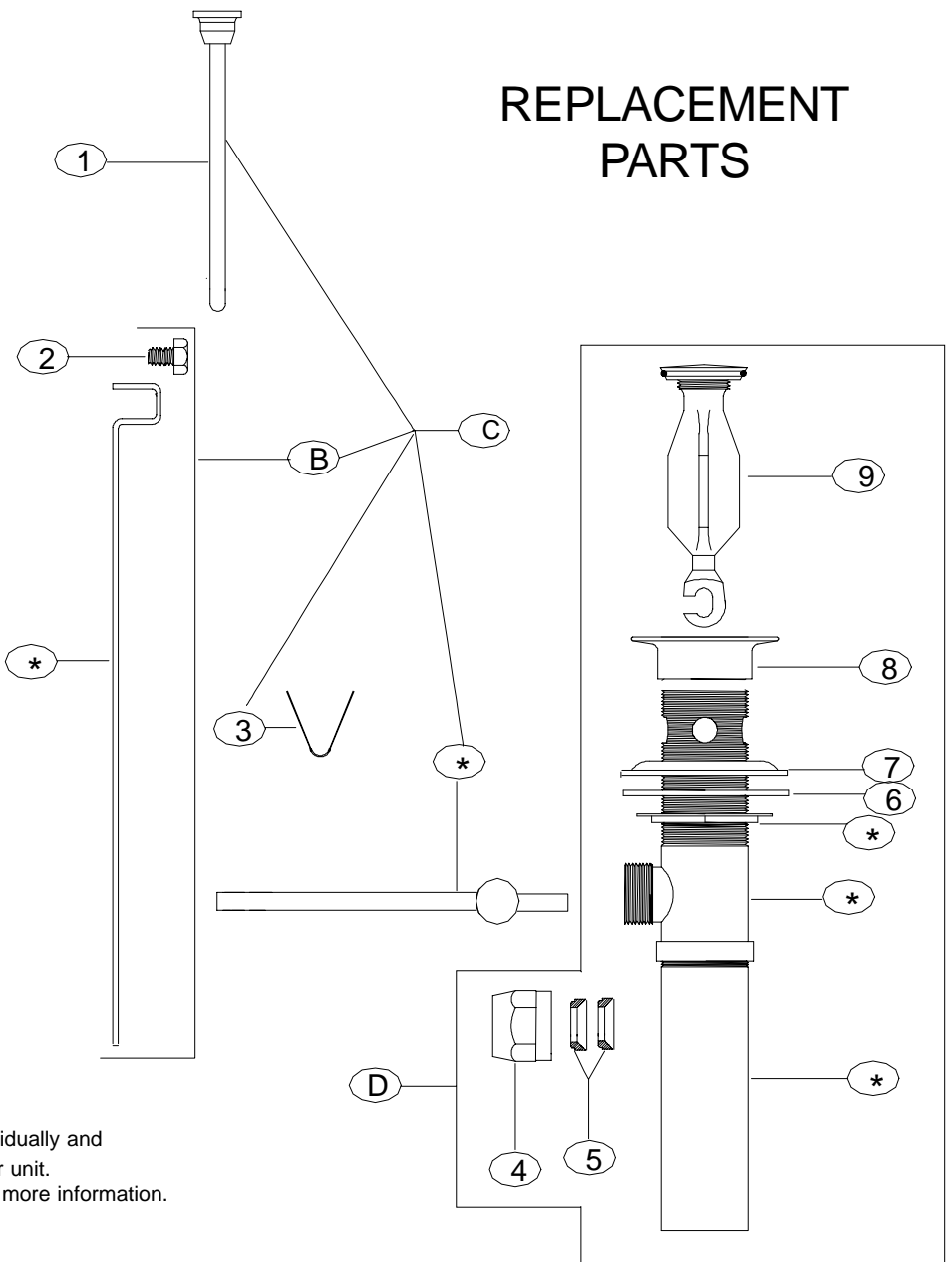
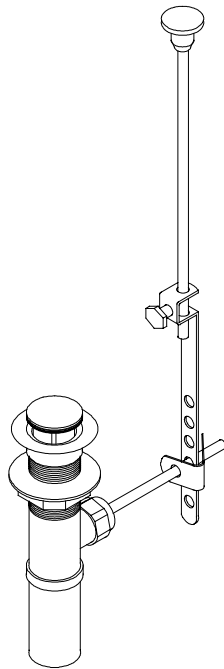
CENTRAL BRASS MFG CO

2950 East 55th Street, Cleveland, Ohio 44127

Phone: 216-883-0220 Fax: 216-883-0875 Email: sales @CentralBrass.com

For items with "D" Suffix Pop-up Drain

REPLACEMENT PARTS



* These items are not offered individually and must be purchased as a group or unit. Please contact Central Brass for more information.

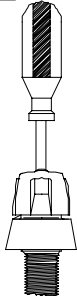
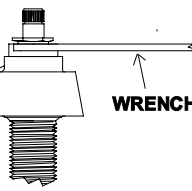
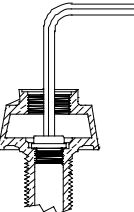
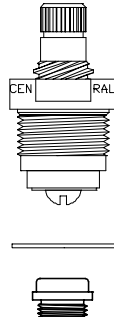
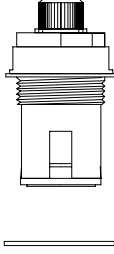
#	Part #	Description
B	SU-195	Pop-up Bracket with Screw (X113-P)
C	G-195-DST	Pull Rod Group with Pop-up Bracket (SU-195) & Ball Lever Rod
D	SU-1109	Pop-up Drain less pull rod & bracket with Stopper & Guide (SU-2113-TT)
1	SU-195-BT9	Pull Rod & Knob
2	X113-P	Pop-up Bracket Screw (6 pcs per pack)
3	X195-C	Clip (6 pcs per pack)
4	192-NBB	Ball Lever Nut
5	X409-PT	Ball Lever Packing (12 pcs per pack)
6	X51-D	Washer (10 pcs per pack)
7	X994-1109	Mac Washer (4 pcs per pack)
8	2056-SPT1109	Top Flange
9	SU-2113-TT	Stopper & Guide

CENTRAL BRASS MFG CO

2950 East 55th Street, Cleveland, Ohio 44127

Phone: 216-883-0220 Fax: 216-883-0875 Email: sales @CentralBrass.com

CENTRAL BRASS MAINTENANCE INSTRUCTIONS

DISASSEMBLY	REPLACEMENT
<div style="border: 1px solid black; padding: 5px; margin-bottom: 5px;"> <div style="display: flex; align-items: center;"> <div style="border: 1px solid black; width: 30px; height: 30px; display: flex; align-items: center; justify-content: center; margin-right: 10px;">1</div> <div> <p>REMOVE HANDLE</p>  <ol style="list-style-type: none"> 1. Turn off water supply. 2. Remove screw. 3. Remove handle. </div> </div> </div> <div style="border: 1px solid black; padding: 5px; margin-bottom: 5px;"> <div style="display: flex; align-items: center;"> <div style="border: 1px solid black; width: 30px; height: 30px; display: flex; align-items: center; justify-content: center; margin-right: 10px;">2</div> <div> <p>REMOVE STEM ASSEMBLY</p>  <ol style="list-style-type: none"> 1. Use adjustable wrench. 2. Unscrew (counterclockwise) remove stem unit. </div> </div> </div> <div style="border: 1px solid black; padding: 5px;"> <div style="display: flex; align-items: center;"> <div style="border: 1px solid black; width: 30px; height: 30px; display: flex; align-items: center; justify-content: center; margin-right: 10px;">3</div> <div> <p>REMOVE SEAT (For compression stems only)</p>  <ol style="list-style-type: none"> 1. Insert 5/16" allen wrench in seat. 2. Turn seat (counterclockwise) to remove. </div> </div> </div>	<div style="border: 1px solid black; padding: 5px; margin-bottom: 5px;"> <div style="display: flex; align-items: center;"> <div style="border: 1px solid black; width: 30px; height: 30px; display: flex; align-items: center; justify-content: center; margin-right: 10px;">4</div> <div> <p>Use Only Genuine Central Replacement Parts</p> <p>Compression Units</p> <p>K-453-C Cold stem assembly with seat & gasket</p> <p>K-453-H Hot stem assembly with seat & gasket</p> <p>G-453-ER Hot stem assembly with gasket</p> <p>G-453-EL Cold stem assembly with gasket</p> <p>G-454-ER Hot stem assembly 1/4 turn with gasket</p> <p>G-454-EL Cold stem assembly 1/4 turn with gasket</p> <p>X263-BC Replaceable Seat (10 per Pack)</p> <p>X1028-Y Nylon Gasket (25 per Pack)</p> <p>Ceramic Units</p> <p>K-352-H Ceramic Hot stem assembly</p> <p>K-352-C Ceramic Cold stem assembly</p> </div> </div> </div> <div style="display: flex; justify-content: space-around; margin-top: 20px;"> <div style="text-align: center;"> <p>COMPRESSION</p>  </div> <div style="text-align: center;"> <p>CERAMIC</p>  </div> </div>

- If faucet has round handles (70 or 80 suffixes) , use two Hot stem assemblies
- If faucet has lever handles, use one Hot and one Cold stem assemblies

CENTRAL BRASS MFG CO
 2950 East 55th Street, Cleveland, Ohio 44127
 Phone: 216-883-0220 Fax: 216-883-0875 Email: sales @CentralBrass.com