

Central Brass

C O M P A N Y

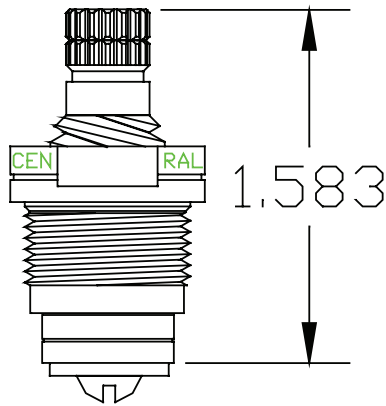
Brecksville, Ohio 44141

Phone:(216)883-0220 Fax: (440)526-5745

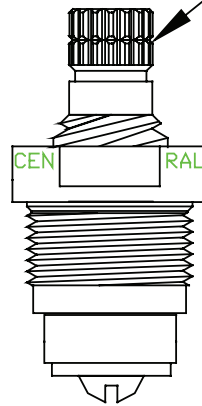
www.CentralBrass.com

STEM REFERENCE DRAWINGS

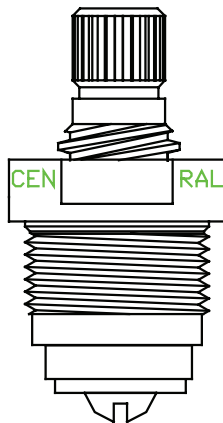
NOTE: ID GROOVE ON SPLINE FOR
1/4 TURN STEMS



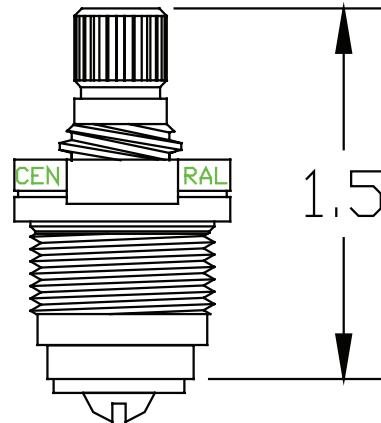
SU-454-EL



SU-454-ER



SU-453-ER



SU-453-EL

Central Brass

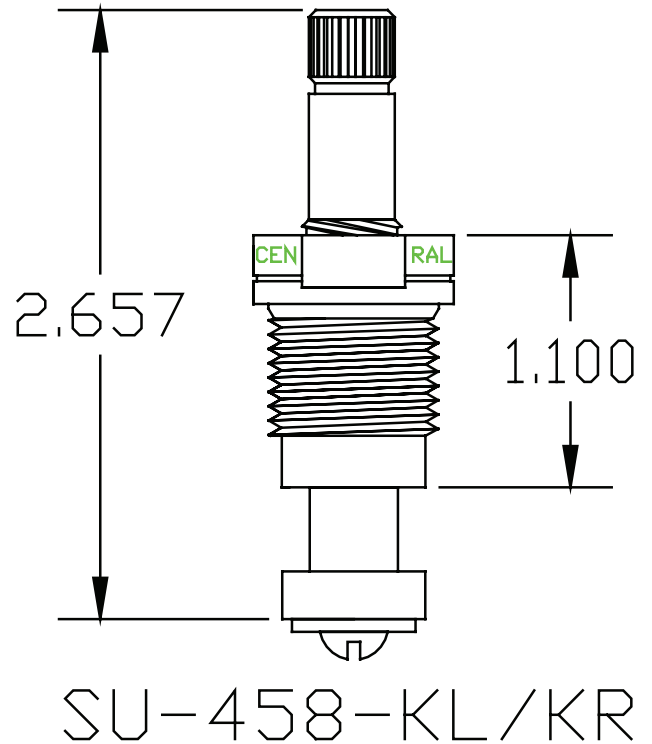
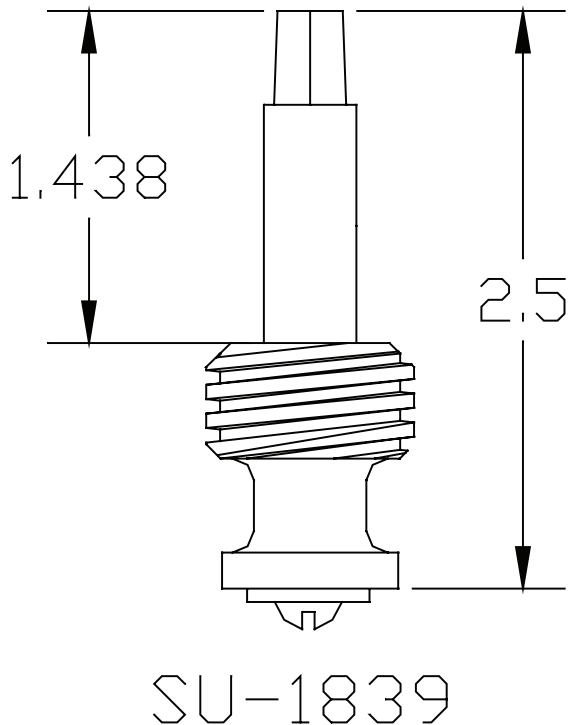
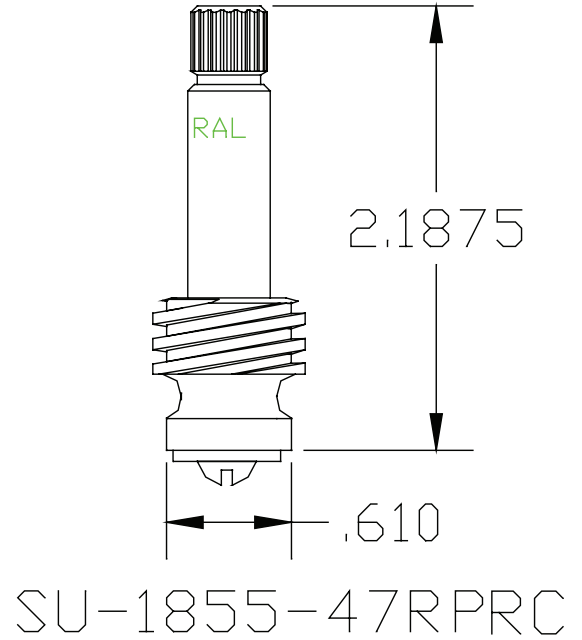
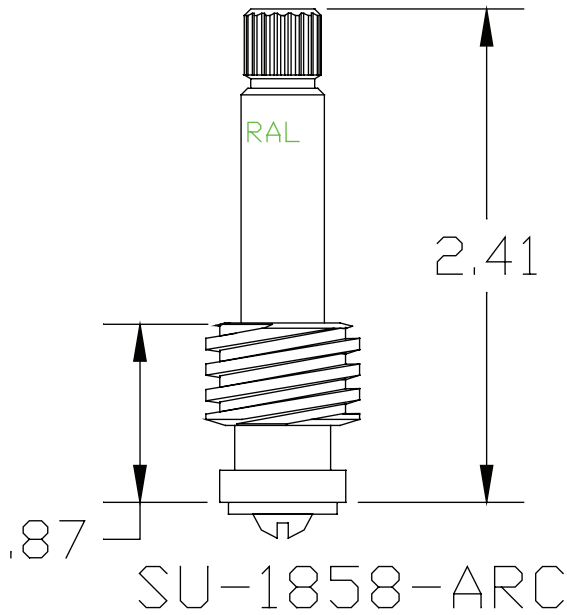
C O M P A N Y

Brecksville, Ohio 44141

Phone: (216) 883-0220 Fax: (440) 526-5745

www.CentralBrass.com

STEM REFERENCE DRAWINGS



Central Brass

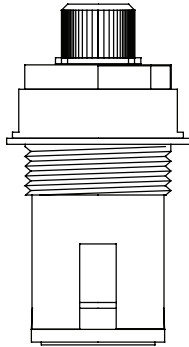
COMPANY

Brecksville, Ohio 44141

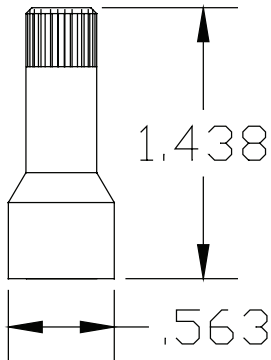
Phone: (216) 883-0220 Fax: (440) 526-5745

www.CentralBrass.com

STEM REFERENCE DRAWINGS

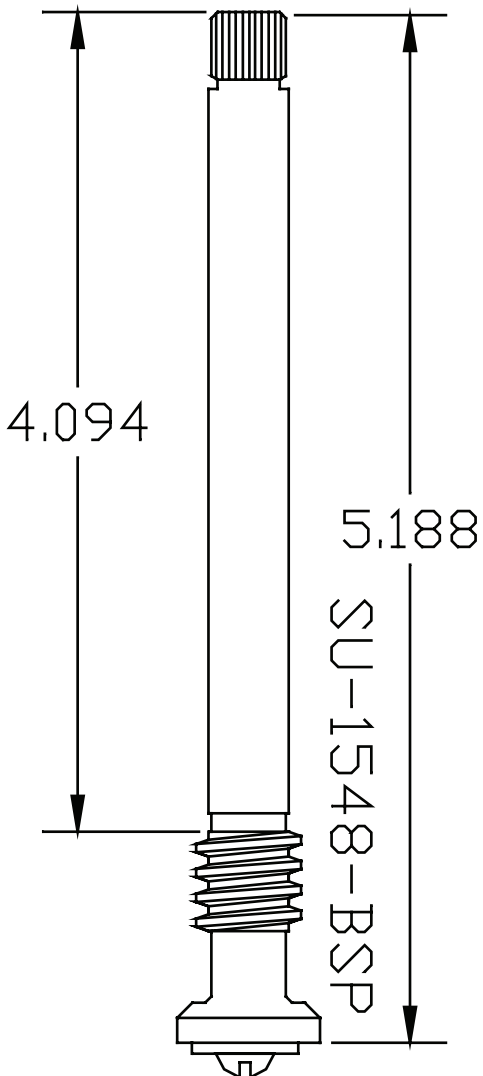


SU-352-L/R

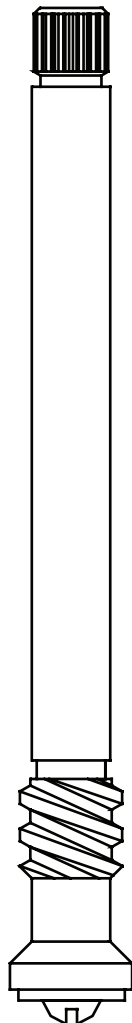


1548-ET

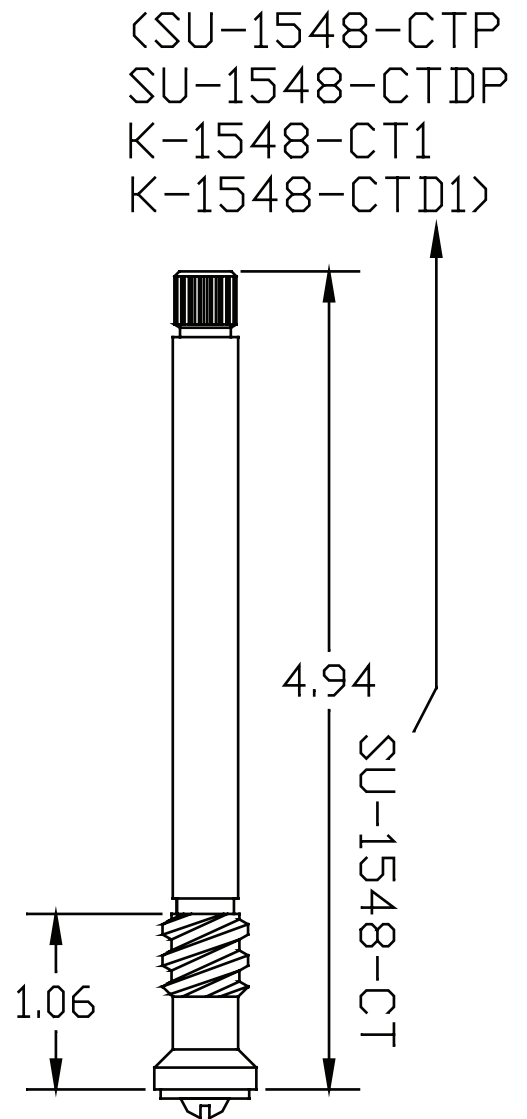
NOTE: 1-1/16" EXTENSION



SU-1548-BSP



SU-1548-CLT



SU-1548-CT

Central Brass

C O M P A N Y

Brecksville, Ohio 44141

Phone: (216) 883-0220 Fax: (440) 526-5745

www.CentralBrass.com

STEM REFERENCE DRAWINGS

