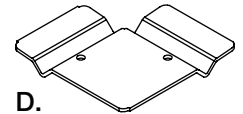
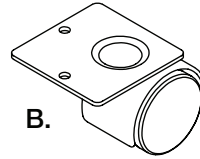
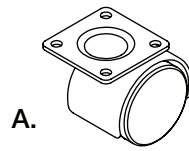


BEFORE YOU BEGIN

Open, identify, and count all parts prior to assembly.

- A. (2) Front Caster
- B. (2) Rear Caster
- C. (8) Screw
- D. (2) Caster Bracket



STEP 1 - Attach Front Casters:

Align screw holes in front caster mounting plate with the screw holes in the bottom of cabinet.

Connect the Front Casters (A) with Screws (C) using a phillips screwdriver. Fully tighten all screws.

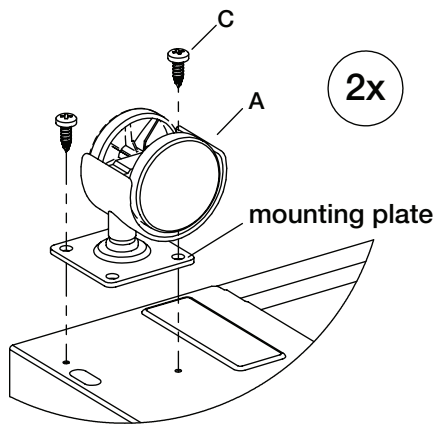


FIGURE 3: Complete assembly.

STEP 2 - Attach Rear Casters:

Position v-bends of Caster Bracket (D) up under cabinet rims.

Align screw holes in rear caster mounting plate with screw holes in Caster Bracket (D) ensuring the mounting plate covers the bottom corner of the cabinet. (Figure 4)

Connect the Rear Caster (B) and the Caster Bracket (D) with Screws (C) using a phillips screwdriver. Fully tighten all screws.

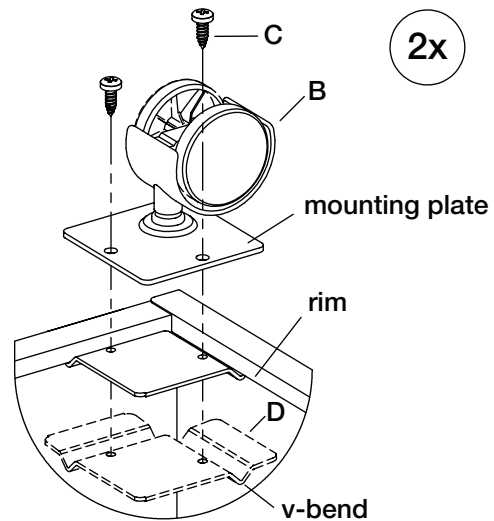


FIGURE 4: Close-up of rear caster assembly.

