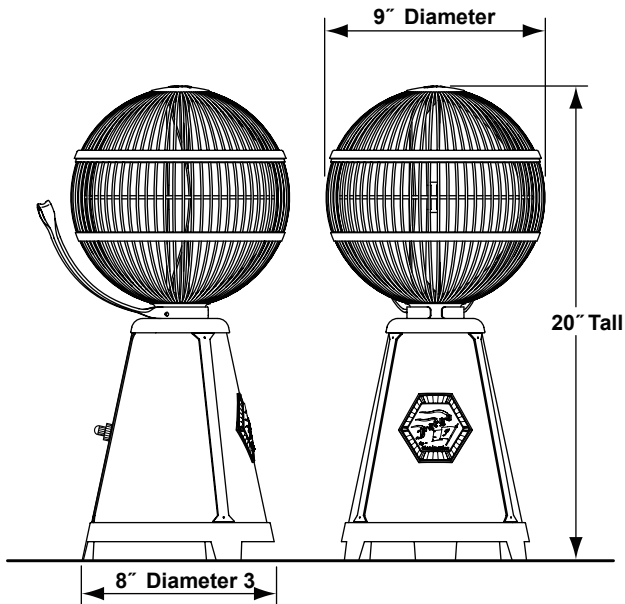


FARGO®

FP3320**-220 Desktop/Table Fan



| TUV/GS Efficiency Info (220V) | | | |
|-------------------------------|---------|------|-------|
| Fan Speed | Max RPM | Amps | Watts |
| High | 1150 | 0.46 | 107 |
| Med | 930 | 0.37 | 65 |
| Low | 657 | 0.29 | 33 |

| Available Finishes | |
|--------------------|--|
| BG | Burgundy faux leather base / brushed brass trim & cage / oil-rubbed bronze blade |
| OB | Oil-rubbed bronze base / antique brass trim & cage / oil-rubbed bronze blade |
| SN | Satin nickel base / chrome trim & cage / satin nickel blade |

ELECTRICAL REQUIREMENTS:

Requires a grounded electrical supply line of 220~240 volts AC, 50 Hz, 5 amp circuit. 8 ft power cord included.

MOTOR SPECS:

75 x 18 -220 motor is designed for optimal performance with this fan.

FEATURES:

- Includes 8 ft power cord
- Includes carry handle
- Includes protective rubber feet
- Weighs 12.5 lbs
- Ships fully assembled

LOCATION USE:

Fan is rated for dry locations only.