

VIGO INDUSTRIES INSTALLATION GUIDE FOR STANDING SHOWER CABIN (MODEL VG06021)



SAFETY PRECAUTIONS

This Installation Guide uses the following symbols to indicate important information. Always observe the instructions indicated by these symbols.

WARNING

Instructions that, if ignored, could result in death or serious personal injury caused by incorrect handling or installation of the product. These instructions must be observed for safe installation.

CAUTION

Instructions that, if ignored, could result in personal injury or material damage caused by improper handling or installation of the product. These instructions must be observed for safe installation.

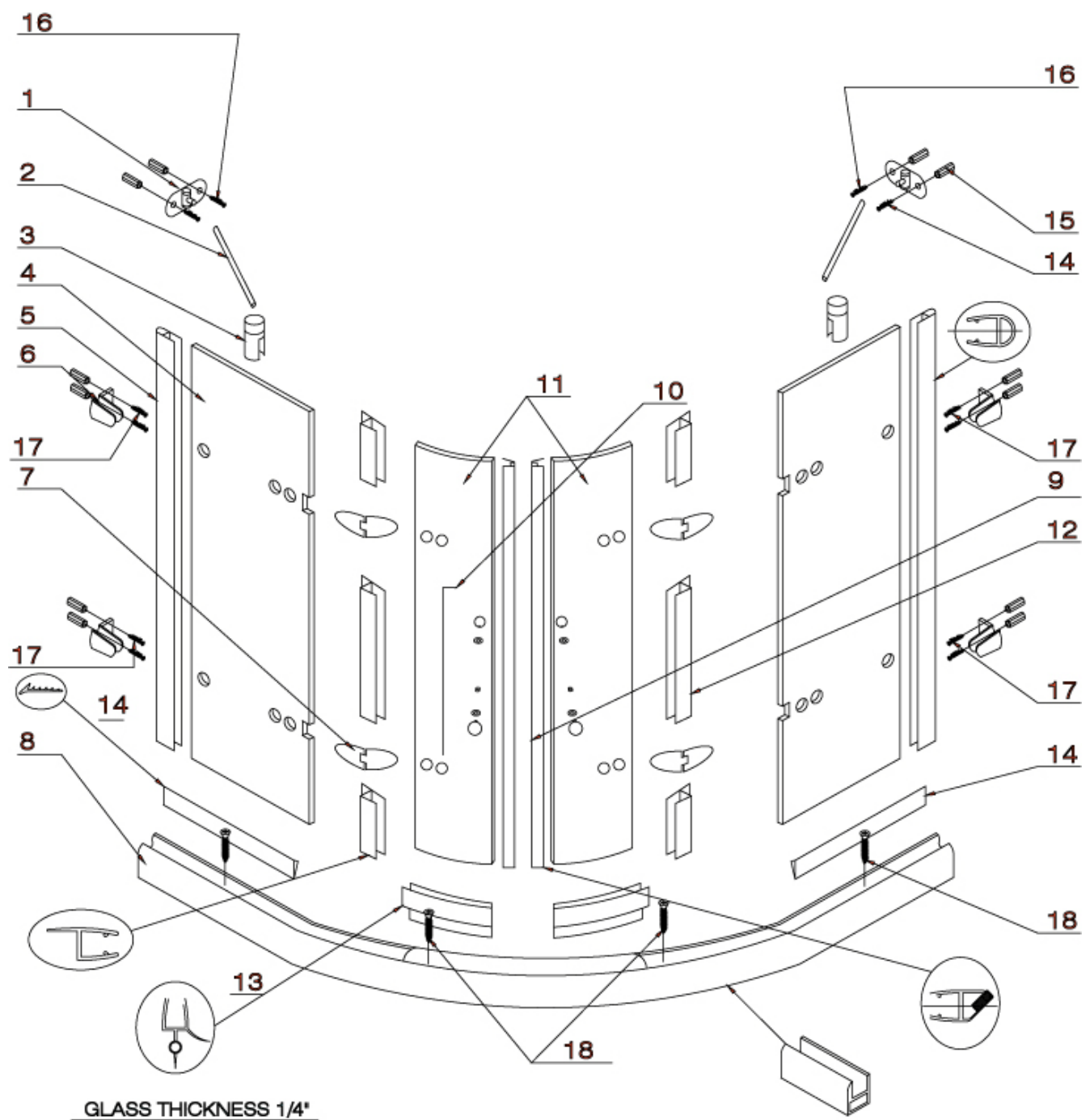
IMPORTANT

Maintenance and other important non-personal injury and non-material damage instructions or statements that should be observed.

VIGO INDUSTRIES INSTALLATION GUIDE FOR STANDING SHOWER CABIN (MODEL VG06021)

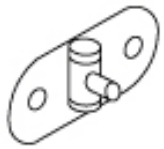

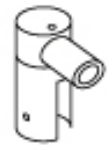

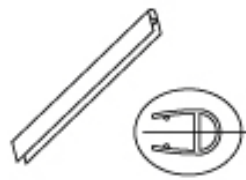
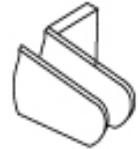

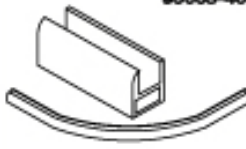
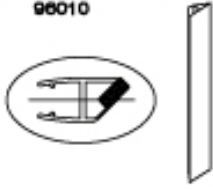

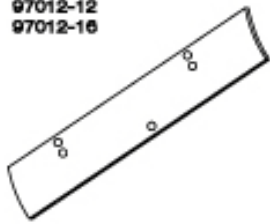

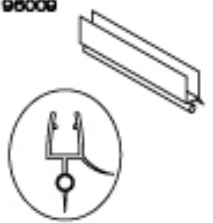





PACKING LIST:

- | | | |
|---|-----------------------------------|---------------------------------------|
| 1. Wall connector (2pc) | 7. Hinge (4pc) | 13. Door bottom seal strip (2pc) |
| 2. Structural arm (2pc) | 8. Bottom rail (1pc) | 14. Side glass panel seal strip (2pc) |
| 3. Support assembly (2pc) | 9. Door magnetic seal strip (2pc) | 15. Plastic anchors (16pc) |
| 4. Side glass panel (with hinge slots, 2pc) | 10. Handle assembly (2pc) | 16. Phillips screw 1-1/8" (4pc) |
| 5. Side seal strip (2pc) | 11. Door (2pc) | 17. Phillips screw 2" (8pc) |
| 6. Glass support (4pc) | 12. Door side seal strip (3pc) | 18. Phillips screw 3/4" (4pc) |



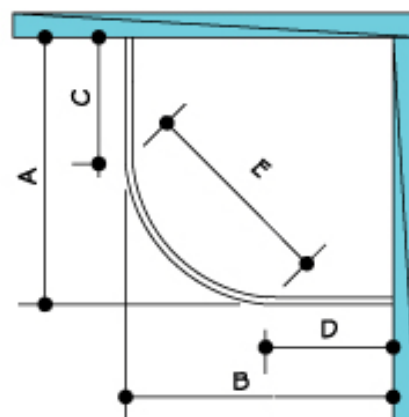
GLASS THICKNESS 1/4"

MODEL VG06021

<p>1. WALL CONNECTOR 98001</p> 	<p>2. STRUCTURAL ARM 98002-36 98002-40</p> 	<p>3. SUPPORT ASSEMBLY 98003</p> 	<p>4. SIDE GLASS PANEL 97011-36 97011-40</p> 	<p>5. SIDE SEAL STRIP 98007</p> 
<p>6. GLASS SUPPORT 98004</p> 	<p>7. HINGE 98006</p> 	<p>8. BOTTOM RAIL 95003-36 95003-40</p> 	<p>9. MAGNETIC SEAL STRIP 98010</p> 	<p>10. DOOR HANDLE 98014</p> 
<p>11. DOOR. 97012-12 97012-16</p> 	<p>12. DOOR SIDE SEAL STRIP 98008</p> 	<p>13. DOOR BOTTOM SEAL STRIP 98009</p> 	<p>14. SIDE GLASS PANEL SEAL STRIP (ROLL). 98005</p> 	<p>15. WALL PLUG STRIP</p> 
<p>16. PHILLIPS SCREW 1 1/8"</p> 	<p>17. PHILLIPS SCREW 2"</p> 	<p>18. PHILLIPS SCREW 3/4"</p> 		

MODEL	DIMENSION 'A'	DIMENSION 'B'	DIMENSION 'C'	DIMENSION 'D'	DIMENSION 'E'	HEIGHT*
36x36	36 1/8***	36 1/8***	12 7/8"	12 7/8"	33 1/4"	73 1/3"
40x40	40 3/16***	40 3/16***	16 7/8"	16 7/8"	33 1/4"	73 1/3"

* - WITH HARDWARE AND WITHOUT SHOWER BASE
** - EXTERIOR SIZES



⚠️ WARNING

WE STRONGLY RECOMMEND THAT A LICENSED PLUMBER INSTALL THIS STANDING SHOWER CABIN AND INCLUDE THE ASSISTANCE OF A SECOND PERSON TO INSTALL THE DOOR UNIT.

INSTALLATION OF THE SHOWER DOORS BY AN INEXPERIENCED PERSON MAY RESULT IN GLASS BREAKAGE AND, CONSEQUENTLY, CAUSE PERSONAL INJURY OR DEATH.

BEFORE STARTING

Compare items on your invoice with what you have received. Carefully review the Packing List on page 2.

If any item is missing, please call Vigo Industries at 1-866-591-7792.

REQUIRED TOOLS

- Square and/or Phillips #1 and #2 screwdriver
- Flat head screwdriver
- Electric drill plus a 1/8", 3/16", or 7/32" drill bit (depending on wall)
- Level
- Measuring Tape
- Masking Tape
- Pencil (non-permanent; HB)
- Clear silicone caulking
- Utility knife

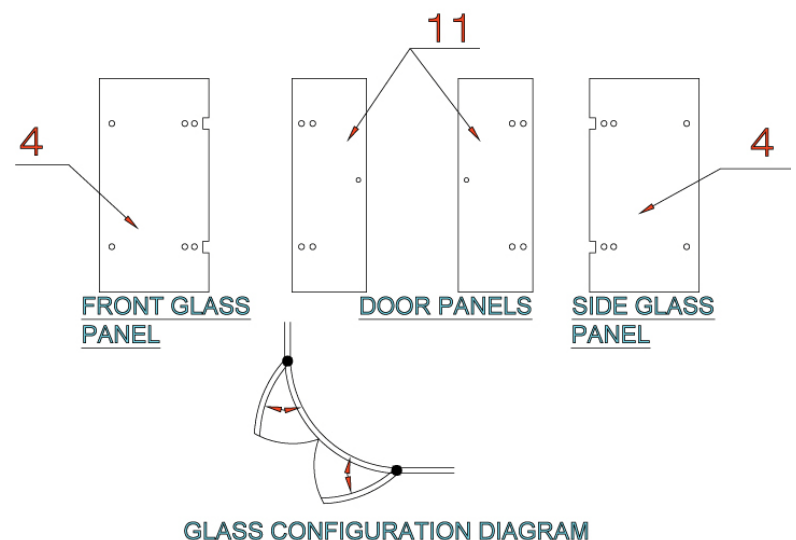
⚠️ WARNING

- Handle fragile items with care to prevent personal injury or material damage.
- Glass on panels and doors is tempered glass and must never be cut to prevent personal injury.

⊘ IMPORTANT

- Fiberglass or acrylic construction might not be sufficiently strong enough to support the shower door enclosure. You should use the wood framing from behind the face edge of the stall to provide a secure mounting to the door. Apply a bead of silicone between the walls and base of the stall.
- For optimum performance, you should install the shower door perfectly level on a level surface.

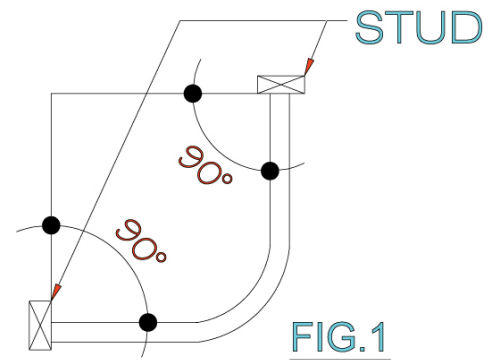
MODEL VG06021 HAS A REVERSIBLE DOOR AND CAN THEREFORE BE INSTALLED TO EITHER THE RIGHT OR LEFT SIDE (SEE CONFIGURATION DIAGRAM BELOW)



GLASS CONFIGURATION DIAGRAM

PREPARATION STEPS TO FOLLOW BEFORE INSTALLATION

1. Remove the plastic layer from the base border (if needed). Do **NOT** remove the plastic layer off the plastic platform of the base.
2. Properly apply silicone to the wall and base joints.



⊘ IMPORTANT

- To prevent damage to the finish, you should protect the shower cabin bottom with a cardboard protector before beginning the installation.
- Ensure that there is sufficient structural support behind the shower wall to hold the weight of the shower door. If there is not sufficient enough support, then reinforce the shower walls with wooden studs prior to shower door installation. [SEE FIG.1]

INSTALLATION STEPS

A. INSTALLING THE BOTTOM RAIL

⚠ CAUTION

OUTSIDE EDGE OF THE BOTTOM RAIL IS HIGHER THAN THE INSIDE EDGE

1. Place the bottom rail (#8) to the desired position on the shower base and center its sides on the base.
2. Use a level to check the horizontal position of the rail. See page 2 for recommended A and B distances. Verify that the A and B distances are correct.
3. Seal the underside of the bottom rail with clear silicone. Center the rail sides to the base according to the A and B measurements.
4. Apply silicone to 3/4" screw (#18) threads. [SEE FIG.2A]
5. Screw the bottom rail securely to the base with the 3/4" screws. [SEE FIG.2]
6. Clip the aluminum cover to the front piece of the bottom rail.

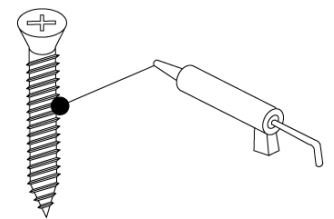


FIG.2A

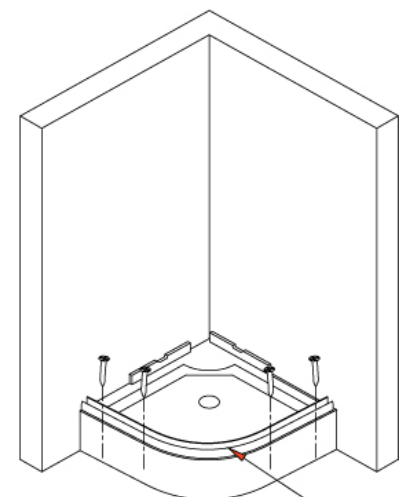
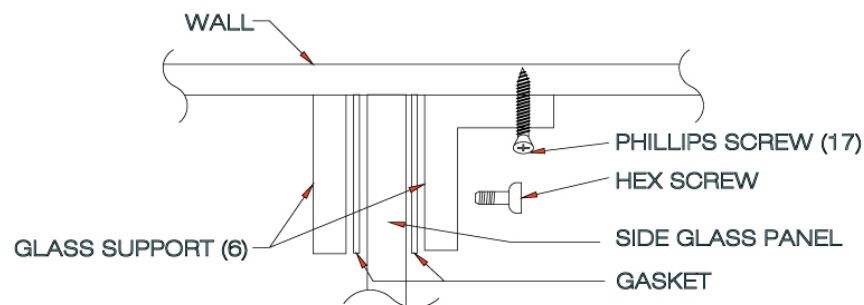
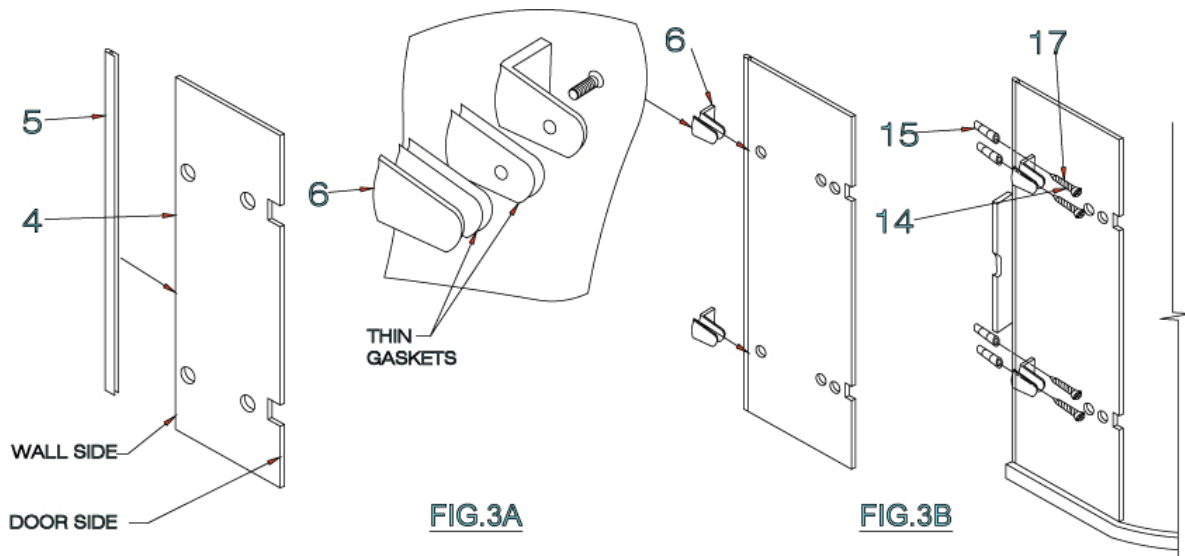


FIG.2

8
5

B. INSTALLING THE SIDE GLASS PANEL

1. Arrange glass to the preferred configuration. [SEE FIG.1A]
2. Install the seal strip (#5) to the wall side of the side glass panel (#4). [SEE FIG.3A]
3. Screw in the glass support (#7) with the hex key to the side glass panel. Be sure to use a washer on either side of the panel.
4. Place the side glass panel onto the bottom rail (#8). Use the level to position the side glass panel correctly.
5. Mark holes on the wall for the mounting screws.
6. Remove the side glass panel and drill holes into the wall. Insert the plastic anchors (#15) into the holes.
7. Replace the side glass panel. Screw into the wall with 2" screws (#17). [SEE FIG.4]
8. Repeat Steps 1 through 7 for the other side glass panel. [SEE FIG. 3B]



VIEW FROM THE TOP

FIG.4

C. INSTALLING THE HANDLE

1. Assemble the door handles (#10) to the door (#11) as shown. [SEE FIG.5]
2. Repeat previous step to install the door handle on the other door.

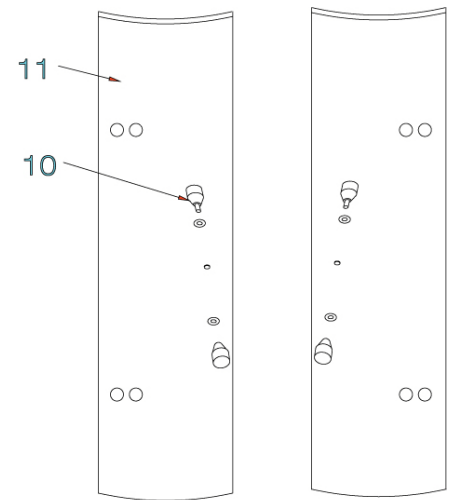


FIG.5

D. INSTALLING THE HINGE

1. Clean the glass surfaces where the hinges (#7) are to be installed with rubbing alcohol.
2. Screw the hinge to the side glass panel (#4) with a washer on each side of the panel. [SEE FIG.6]

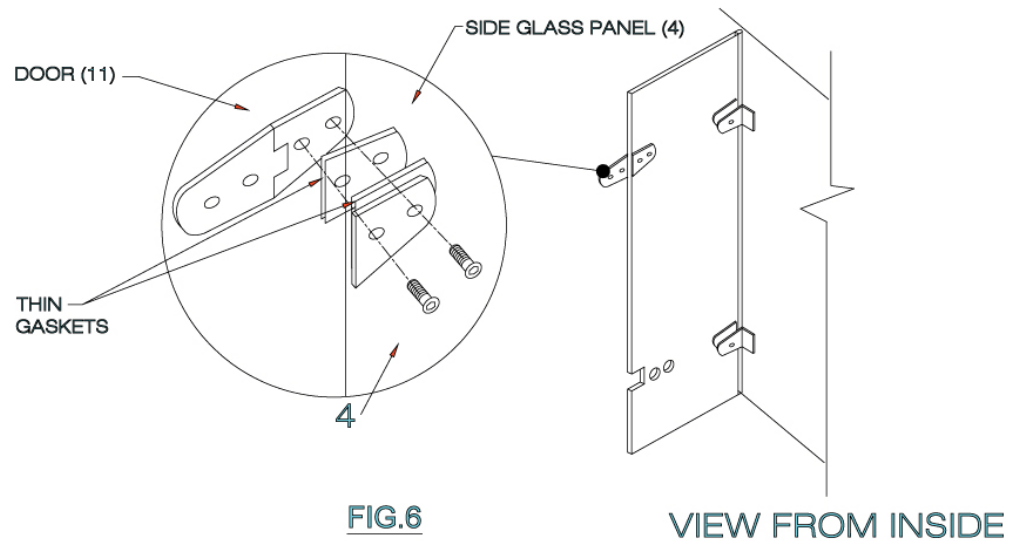


FIG.6

VIEW FROM INSIDE

E. INSTALLING THE WATER SEAL STRIP

1. Clean all glass panel edges receiving seal strips with rubbing alcohol. [SEE FIG.7]
2. Install the door magnetic strip (#9) to the edges of both doors.
3. Open the door and apply the seal strips (#12) to the door panel edges.
4. Install the door bottom seal strip (#13).
5. Verify that the lip from the door side seal strips and the door bottom seal strips face toward the inside of the shower cabin. [SEE FIG.7]

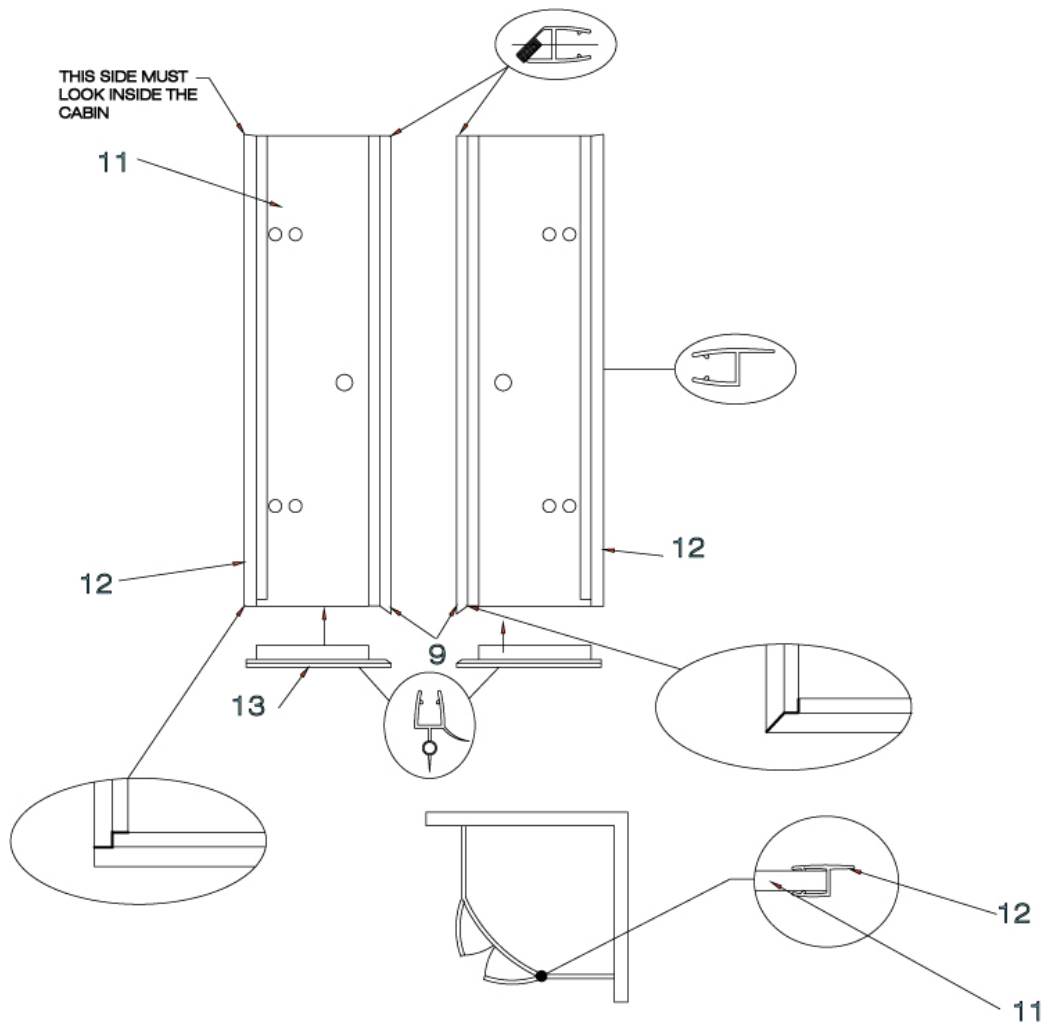


FIG.7 SEAL STRIP INSTALLATION

F. INSTALLING THE DOOR

⚠ WARNING

DOOR PANEL INSTALLATION REQUIRES TWO OR MORE PEOPLE TO ASSIST

1. Clean the glass surfaces where the hinges (#7) are to be installed with rubbing alcohol.
2. Position the door onto the hinges.
3. Place thin gasket on each side of the door between the glass and hinge while keeping the door in position. [SEE FIG.8]
4. Install the hinges using the hex key (supplied) on the hinges.
5. Repeat Steps 1 through 4 to attach the other hinge to the same door.
6. Repeat Steps 1 through 5 to attach the hinges to the other door.

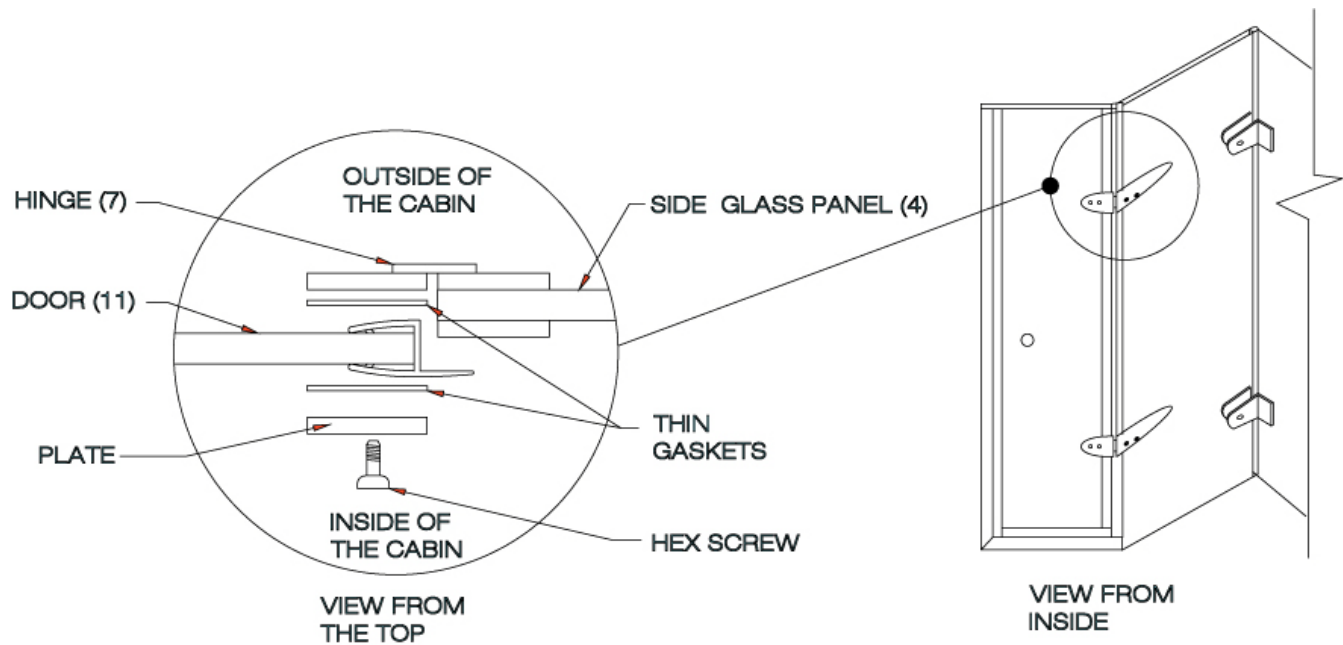


FIG.8

G. INSTALLING THE SIDE PANEL SUPPORT

1. Install the support assembly (#3) approximately two-thirds from the wall. Tighten the hex screws with the hex key. [SEE FIG.9]
2. Install the structural arm (#2) and the wall connector (#1) to the support assembly.
3. Mark holes on the wall for the mounting screws.
4. Move the wall connector aside. Drill holes into the wall and place plastic anchors (#15) into the hole.
5. Move wall connector back into place. Screw into wall with 1-1/8" screws (#16).
6. Tighten all hex screws.

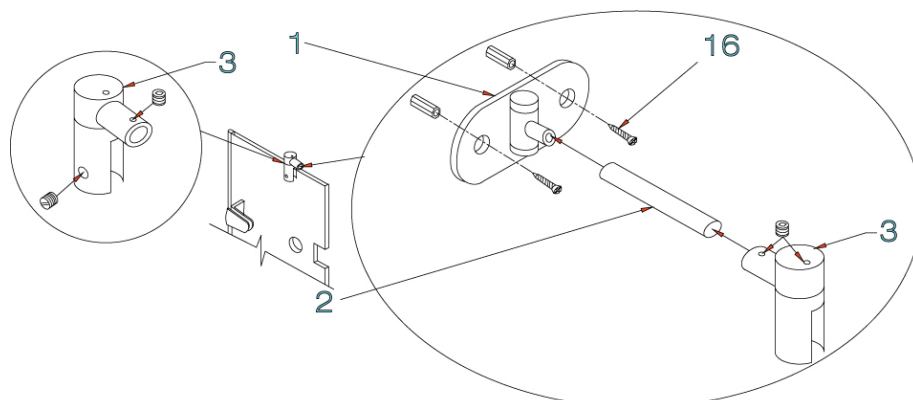


FIG.9

H. INSTALLING THE SIDE GLASS PANEL SEAL STRIP

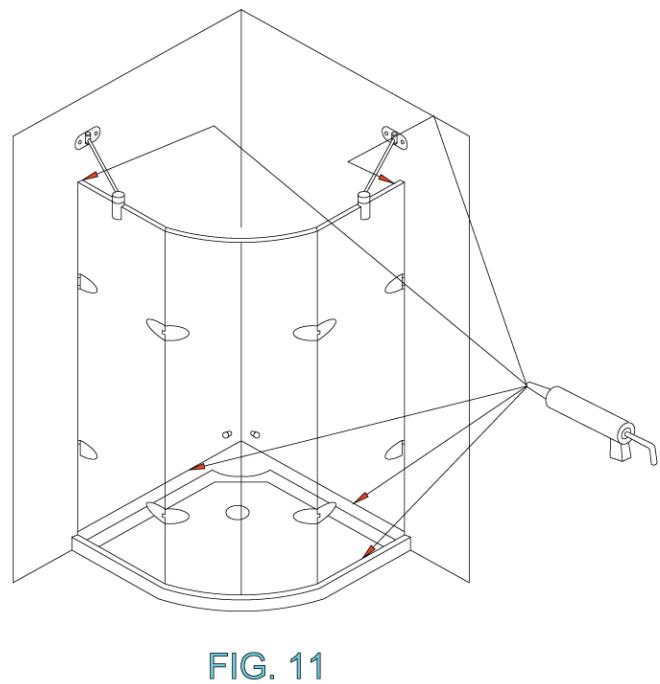
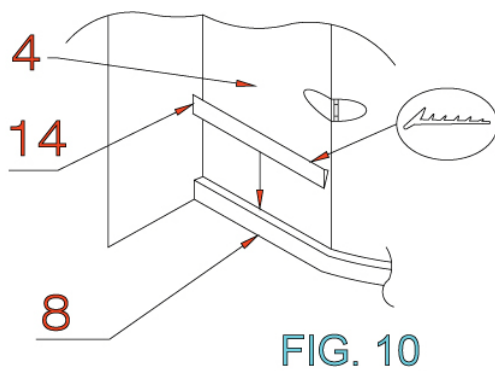
1. Measure and record the length of the side glass panel (#4); use the measurement to cut the side glass seal strip (#14) accordingly.
2. Place the seal strip between the bottom rail (#8) and the side glass panel (#4) on both the inside and outside of the shower cabin. [SEE FIG.10]

I. APPLYING THE SILICONE

1. Apply clear silicone caulking to the inside between the wall and side seal strip. Repeat for the other side. [SEE FIG.11]
2. Apply clear silicone caulking to the inside between the side panel bottom and the bottom rail.
3. Apply clear silicone caulking around the inside perimeter of the bottom rail.

⚠ IMPORTANT

- **WAIT 24 HOURS BEFORE USING SHOWER.**
- **DO NOT ALLOW WATER TO DIRECTLY HIT DOOR SEAL STRIP.**



CLEANING INSTRUCTIONS FOR THE SHOWER CABIN AND DOOR PANEL

- A. Use mild liquid household cleaners to keep metal surface bright and clean. Rinse well and dry with a clean cloth.
- B. Remove dust with a soft, damp cloth.
- C. Use rubbing alcohol to clean and remove grease, oil, paint, and ink.
- D. Accidental scratches or stains will rarely show. If they do show, they can be easily removed with a liquid automobile polish.

⚠ IMPORTANT

- **Do NOT use** abrasive cleaners, scrapers, metal brushes, or any items/products that would scratch and/or dull surface.
- **Do NOT allow** surface to come into contact with acetone (nail polish remover), dry cleaning solution, lacquer thinner, gasoline, or any other similar product.

LIMITED WARRANTY

VIGO offers the following express limited warranty on each of its products. This warranty extends only to the original owner or end-user for personal household use. For commercial uses, additional limitations apply.

VIGO warrants acrylic units to be free from defects in workmanship and materials under normal use and service for a period of twenty (20) years from the initial date of purchase by the owner or end-user, contractor, or builder, from an authorized dealer.

VIGO warrants shower panels to be free from defects in workmanship and materials under normal use and service for a period of one (1) year from the initial date of purchase by the owner or end-user, contractor, or builder, from an authorized dealer.

VIGO warrants shower doors to be free from defects in workmanship and materials under normal use and service for a period of ten (10) years from the initial date of purchase by the owner or end-user, contractor, or builder, from an authorized dealer.

VIGO warrants faucets to be free from defects in workmanship and materials under normal use and service for a period of one (1) years from the initial date of purchase by the owner or end-user, contractor, or builder, from an authorized dealer.

Any product reported to the authorized dealer or to **VIGO** as being defective within the warranty period will be repaired or replaced (with a product of equal value) at the option of **VIGO**. This warranty extends to the original owner or end-user and is not transferable to a subsequent owner.

Neither the distributor, authorized **VIGO** dealer, nor any other person has been authorized to make any affirmation, representation, or warranty other than those contained in this warranty; any affirmation, representation, or warranty other than those contained in this warranty shall not be enforceable against **VIGO** or any other person.

VIGO reserves the right to modify this warranty at any time, it being understood that such modifications will not alter the warranty conditions applicable at the time of sale of the products in question.

EFFECTIVE JANUARY 1, 2004

Limitations

This warranty shall not apply following incorrect operating procedures, breakages, or damages caused by fault, carelessness, abuse, misuse, misapplication, improper maintenance, alteration, or alteration of the unit, as well as chemical or natural corrosion, accident, fire, flood, an act of God, or any other casualty. The owner/end-user of the product covered by the present warranty is entirely responsible for its proper installation and electrical wiring. **VIGO** neither installs nor supervises the installation nor hires a contractor for this purpose; consequently, **VIGO** cannot be held responsible for any default, breakage, or damages caused thereby or resulting thereof, either directly or indirectly. The owner/end-user must provide access to the components of the product as described in the installation guide so that **VIGO** can execute the warranty specified herein. If such access is not available, all expenses to provide said access will be the responsibility of the owner/end-user.

This warranty does not apply to products or equipment not installed or operated in accordance with instructions supplied by **VIGO** and all applicable rules, regulations, and legislation pertaining to such installations.

VIGO strongly recommends that its products – for example but without limitation, shower doors and other items – be installed by professionals with experience in bathroom products. Installation of shower doors by an inexperienced person may result in glass breakage and, consequently, cause personal injury or death.

VIGO is not liable for any costs, damages, or claims resulting from the purchase of products that do not fit through openings or existing structures. **VIGO** is not liable for any costs, damages, or claims resulting from defects that could have been discovered, repaired, or avoided by inspection and testing prior to installation.

VIGO is not liable for personal injuries or deaths to any persons or for any direct, special, incidental, or consequential damage, loss of time, loss of profits, inconvenience, incidental expenses, labor or material charges, or any other costs resulting from the use of the product or equipment or pertaining to the application of the present warranty, or resulting from the removal or replacement of any product or element or part covered by this warranty.

EXCEPT AS OTHERWISE PROVIDED ABOVE, VIGO MAKES NO WARRANTIES, EXPRESS OR IMPLIED, INCLUDING WARRANTIES OF MERCHANTABILITY AND FITNESS FOR A PARTICULAR PURPOSE OR COMPLIANCE WITH ANY CODE.

In any case, **VIGO** cannot be held liable for any amount over and above the purchase price paid for the product by the owner/end-user, contractor, or builder.

Commercial Limitations

In addition to the above conditions and limitations, the warranty period for products installed for commercial applications or used in commercial ventures is one (1) year from the initial date of purchase by the owner/end-user, contractor, or builder from an authorized dealer. **VIGO** is not responsible for loss of use or profit under any circumstances. If the product is used as a display, the warranty period begins when the product is placed on display.

This warranty gives the owner/end-user specific legal rights. The owner/end-user may also have other rights which can vary from one state or province to another.

Warranty Service

In order to obtain service provided under this warranty during regular business hours, contact the dealer or distributor who sold the unit, or contact **VIGO** directly. **VIGO** will provide the warranty service described above when the following conditions have been met: the failure is of the nature or type covered by the warranty; the user has informed an authorized **VIGO** Agent or Warranty Service Department representative of the nature of the problem during the warranty period; conclusive evidence (e.g., proof of purchase or installation) is provided to the foregoing by the user proving that the failure occurred or was discovered within the warranty period; an authorized independent service person or company representative has been permitted to inspect the product during regular business hours within a reasonable time after the problem was reported by the user.

VIGO's warranty obligation shall be discharged upon tender of replacement or repair. The customer's refusal to accept the tender terminates **VIGO's** warranty obligations.

Certain models are pending approval.

Certification may be ended by **VIGO** or certification agencies without notice.