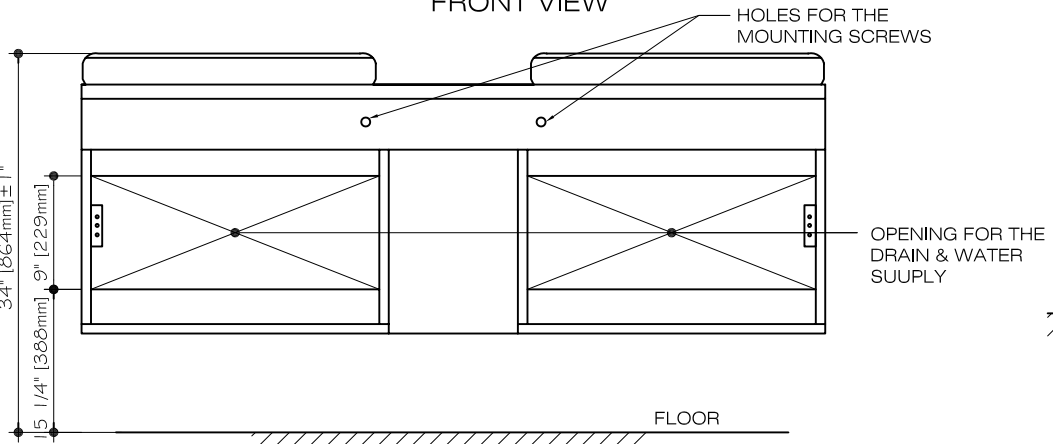
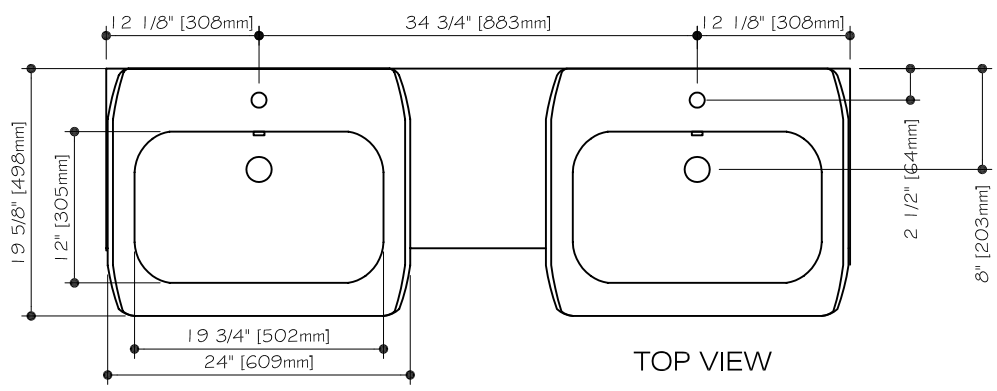


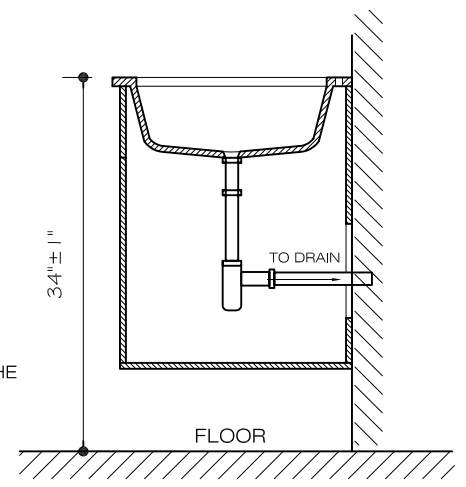
FRONT VIEW



BACK VIEW



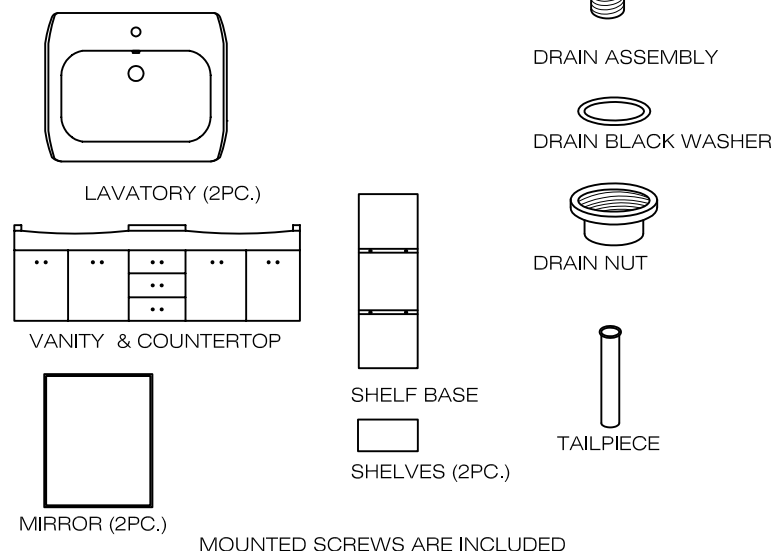
TOP VIEW



MODEL SP-18

THE MEASUREMENTS IN INCHES ARE ROUNDED TO THE NEAREST 1/16"

PACKAGE CONTENT



MAINTENANCE

To ensure that your installation project goes smoothly, please review these instructions before proceeding.

Your new lavatory is designed for years of trouble-free performance. Keep it looking new by cleaning it periodically with a soft cloth. Avoid abrasive cleaners, steel wool and harsh chemicals.

NOTE: INSTALLATION MUST BE DONE BY A QUALIFIED, LICENSED PLUMBER.

TOOLS

Adjustable wrench
Plumber's putty or Caulking
Pipe tape
Flat screwdriver
Hex keys

Drill
Tape Measure
Tubing Cutter or Hacksaw
Regular and Philips Screw Driver
Caulking gun

SAFETY TIPS

Observe all local plumbing and building codes.
Risk of personal injury or product damage. Handle with care.
Prior to installation, unpack the new vanity and inspect it for damage. Return the vanity to its protective carton until you are ready to install it.
Inspect the drain and supply tubing. Replace if necessary.
Do not substitute another sealant if one is supplied with this vanity.

REMOVING YOUR OLD LAVATORY

Turn off the water supply. This is done by closing the two shut-off valves located under the lavatory.

If there are no shut-off valves leading to the lavatory, you must turn off the water at the main valve. This is usually located in the basement, garage or near the foundation on the outside of the house. It may also be near the water meter.

Check to be sure the water is off by turning on the faucet where you are working until the water stops flowing.

Be sure and close the faucets before you turn on the main valve again. If you have shut off the main valve in a two-story house or greater, you should open the kitchen faucet and another faucet on the same level. Water will then drain from the entire line. This will help avoid spills.

Be sure and close the faucets before you turn on the main valve again. Disconnect the drain pipes. Take off as many sections as possible between the lavatory and the wall or floor to facilitate removal.

Place a basin under the work area to catch any water that may still be in the drain.

ASSEMBLY

1. Once the product has been unpacked your first step will be to assemble the unit. Select the vanity location and mark holes on the wall for mounting screws. Remove vanity, drill holes, stick anchors and screw unit to the wall. Unscrew handles from the vanity and screw them to the drawers and to the vanity doors from the front side.

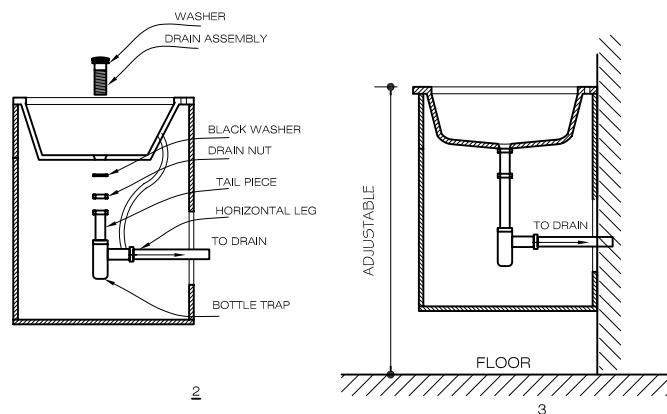
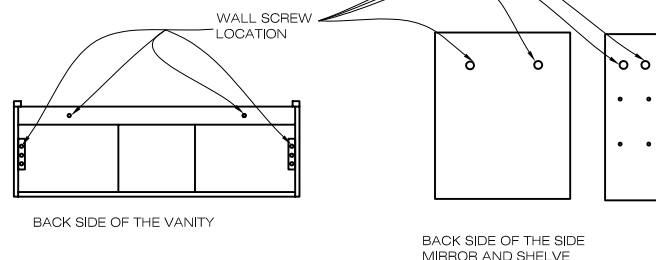
2. Silicone the lavatories to the countertop, align it and press down firmly. Note: It could be up to 3/8 inch gap in front of the lavatory between front of the vanity and lavatory.

Install the drain assembly. Connect tailpiece to the drain.

3. This vanity requires two separate drain installations. Connect trap to drain assembly. After you are finished assembly should look like figure 3. Repeat this step for another drain.

4. For specific faucet installation instructions refer to the Faucet manufacturer's. Connect supply line to faucet.

5. Screw shelves to the shelf base. Select the mirror and shelf location and mark holes on the wall for mounting screws. Drill holes and stick anchors. Hang up the mirrors and the shelf.



For additional assistance visit:
<http://www.lenfex.com>